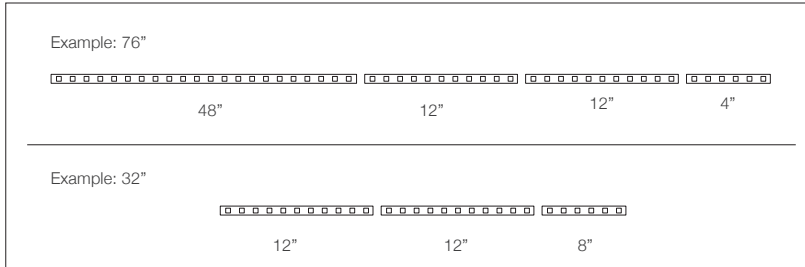


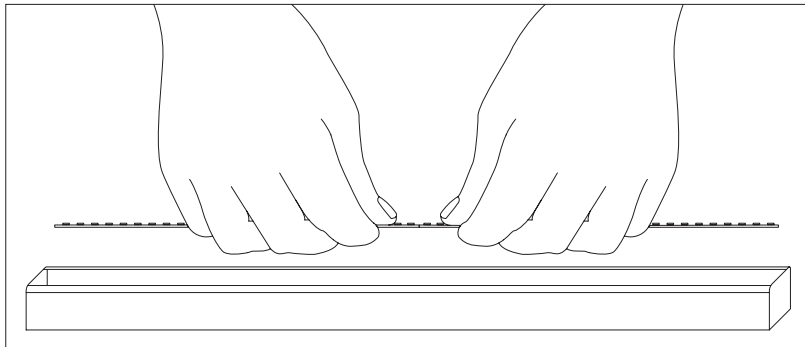
PRELIMINARY SPECIFICATION, SUBJECT TO CHANGE WITHOUT NOTICE

FR & FRS Type Installation Instructions

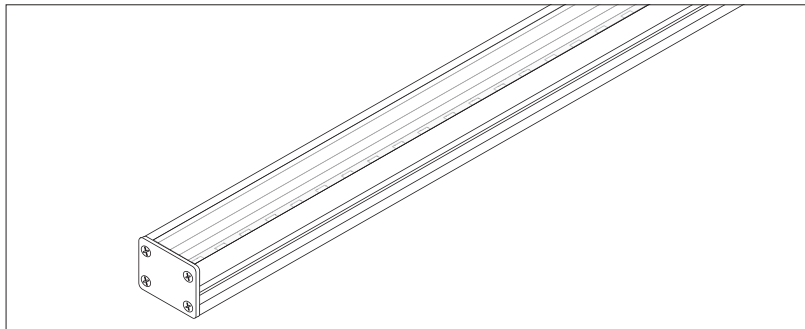
FR Type must be mounted to a heat-sink. Prepare mounting surface by cleaning with provided alcohol pad.



1) Layout all parts on a table to determine which parts and pieces go together based on how many fixtures and what fixture lengths are required. Maximum run is 8 ft. (96") per Class 2 limit.



2) Center assembled circuitboard within A-Track housing and carefully adhere with included heat-sink tape. **Heat-sink tape is permanent and bonds instantly.** Ensure that the circuitboard is installed correctly the first time.



3) Complete fixture per housing assembly instructions.



PRELIMINARY SPECIFICATION, SUBJECT TO CHANGE WITHOUT NOTICE

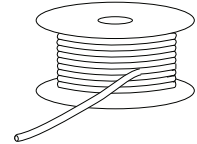
Component of a complete system including: Aion LED A-Track Light Engine, Aion LED A-Track housing with diffuser lens, & Aion LED driver (power supply). Dimmer not included. Approved dimmers, controls, power supplies, cable, & other components only. Contact Aion LED for questions regarding compatibility. Electrician installed. Strictly adhere to NEC & local building code. Limited 5-year warranty against manufacturing defects only, does not cover labor; voided by: inadequate ventilation, field modifications, installation by unqualified personnel, unapproved controls, drivers, cabling, other devices, not following installation guidelines & protocol, general negligence. Installer assumes all liability with regard to property & safety. This product is UL listed. See separate "Aion LED Warranty Terms" & additional instructional materials for more information. Authorized installers only. Systems tested prior to shipping.

FR Type Part Numbers

Aion LED FR Type

Part Number	Length
9524-XX-FR-48	48"
9524-XX-FR-12	12"
9524-XX-FRS-12	12" (3 x 4")

Aion LED A-Cord Interconnect Cable Black Jacket UL Listed



Part Number	Aion Solid-Core Cable
ACB201S-1	12"
ACB201S-500	500 ft. Spool
ACB201S-P	1" Solid Core Pin



AIONLED.COM | (415) 255-AION

Modified: December 22, 2017

© 2017 Aion LED. All Rights Reserved



LUMINAIRE CUT SHEET
100% CD
10.16.2018

Wailuku Civic Hub
Maui, HI
Type: **F3/F3A/F3B**

NAME

LOCATION

SPECIFIER

HOUSING	AT - - AT SERIES HOUSING LENS FINISH			<h3>Required Fixture Lengths</h3> <p>Please input fixture lengths/ quantity & configuration types</p> <table border="1"> <thead> <tr> <th>ZONE</th> <th>LENGTH</th> <th>QUANTITY</th> <th>CONFIGURATION TYPE</th> </tr> </thead> <tbody> <tr><td> </td><td> </td><td> </td><td> </td></tr> <tr><td> </td><td> </td><td> </td><td> </td></tr> <tr><td> </td><td> </td><td> </td><td> </td></tr> <tr><td> </td><td> </td><td> </td><td> </td></tr> <tr><td> </td><td> </td><td> </td><td> </td></tr> <tr><td> </td><td> </td><td> </td><td> </td></tr> <tr><td> </td><td> </td><td> </td><td> </td></tr> <tr><td> </td><td> </td><td> </td><td> </td></tr> <tr><td> </td><td> </td><td> </td><td> </td></tr> </tbody> </table>	ZONE	LENGTH	QUANTITY	CONFIGURATION TYPE																																				
	ZONE	LENGTH	QUANTITY		CONFIGURATION TYPE																																							
 4 0 1 4 0 2 8 0 1 8 0 2 8 4 5			<input type="checkbox"/> Frosted <input type="checkbox"/> Prismatic <input type="checkbox"/> Clear AT-402 ONLY <input type="checkbox"/> Grazer	 Silver <i>(Standard-leave blank)</i> <input type="checkbox"/> <input type="checkbox"/> <input type="checkbox"/> B R Z Dark Bronze																																								
LIGHT ENGINE	9524 - - - COLOR CODE MODEL TYPE LENGTH																																											
	<table border="1"> <tr><td>2 2</td><td>2150K</td><td><input type="checkbox"/> A</td><td>Amber</td></tr> <tr><td>2 4</td><td>2350K</td><td><input type="checkbox"/> B</td><td>Blue</td></tr> <tr><td>2 7</td><td>2650K</td><td><input type="checkbox"/> R</td><td>Red</td></tr> <tr><td>3 0</td><td>2950K</td><td><input type="checkbox"/> G</td><td>Green</td></tr> <tr><td>3 5</td><td>3450K</td><td></td><td></td></tr> <tr><td>4 0</td><td>3950K</td><td></td><td></td></tr> <tr><td>5 5</td><td>5500K</td><td></td><td></td></tr> </table>	2 2	2150K	<input type="checkbox"/> A	Amber	2 4	2350K	<input type="checkbox"/> B	Blue	2 7	2650K	<input type="checkbox"/> R	Red	3 0	2950K	<input type="checkbox"/> G	Green	3 5	3450K			4 0	3950K			5 5	5500K			<input type="checkbox"/> F <input type="checkbox"/> R Frangible Rigid <input type="checkbox"/> F <input type="checkbox"/> R <input type="checkbox"/> S Frangible Rigid Scored	<table border="1"> <tr><td>1 2</td><td>12"</td></tr> <tr><td>4 8</td><td>48"</td></tr> <tr><td>1 2</td><td>12" (3 x 4")</td></tr> </table>	1 2	12"	4 8	48"	1 2	12" (3 x 4")							
2 2	2150K	<input type="checkbox"/> A	Amber																																									
2 4	2350K	<input type="checkbox"/> B	Blue																																									
2 7	2650K	<input type="checkbox"/> R	Red																																									
3 0	2950K	<input type="checkbox"/> G	Green																																									
3 5	3450K																																											
4 0	3950K																																											
5 5	5500K																																											
1 2	12"																																											
4 8	48"																																											
1 2	12" (3 x 4")																																											
LEADS	POWER LEADS JUMPER W/ DISCONNECT PLUGS HARD WIRED JUMPERS																																											
	<table border="1"> <tr><td>A C</td><td>-</td><td>A 2 4</td><td>White 24"</td></tr> <tr><td>A C B</td><td>-</td><td>A 2 4</td><td>Black 24"</td></tr> <tr><td>A C</td><td>-</td><td>A</td><td>Custom</td></tr> </table>	A C	-	A 2 4	White 24"	A C B	-	A 2 4	Black 24"	A C	-	A	Custom	<table border="1"> <tr><td>A C</td><td>-</td><td>B P 4</td><td>White</td></tr> <tr><td>A C B</td><td>-</td><td>B P 4</td><td>Black</td></tr> <tr><td>A C</td><td>-</td><td>B P</td><td>Custom</td></tr> </table>	A C	-	B P 4	White	A C B	-	B P 4	Black	A C	-	B P	Custom	<table border="1"> <tr><td>A C</td><td>-</td><td>C 4</td><td>White</td></tr> <tr><td>A C B</td><td>-</td><td>C 4</td><td>Black</td></tr> <tr><td>A C</td><td>-</td><td>C</td><td>Custom</td></tr> </table>	A C	-	C 4	White	A C B	-	C 4	Black	A C	-	C	Custom					
A C	-	A 2 4	White 24"																																									
A C B	-	A 2 4	Black 24"																																									
A C	-	A	Custom																																									
A C	-	B P 4	White																																									
A C B	-	B P 4	Black																																									
A C	-	B P	Custom																																									
A C	-	C 4	White																																									
A C B	-	C 4	Black																																									
A C	-	C	Custom																																									
REFERENCE LEADS & PLUGS CONFIGURATION TYPES PAGE																																												
Aion LED A-Cord Interconnect Cable																																												
DRIVER	12" 500 ft. Spool 1" Pin <input type="checkbox"/> A C B 2 0 1 - 1 <input type="checkbox"/> A C B 2 0 1 - 5 0 0 <input type="checkbox"/> A C B 2 0 1 - P																																											
	DC MLV DIMMING Z 0-10V DIMMING X DMX, 1 CHANNEL																																											
	<input type="checkbox"/> D50-DC <input type="checkbox"/> 120 VAC <input type="checkbox"/> D100-DC <input type="checkbox"/> 240 VAC <input type="checkbox"/> D300-DC3 <input type="checkbox"/> 277 VAC	<input type="checkbox"/> D100-Z2	<input type="checkbox"/> D100-X1 DMX CONTROLLER <input type="checkbox"/> AX5-1 <input type="checkbox"/> DTM																																									
	M Non Dimming <input type="checkbox"/> D12-M <input type="checkbox"/> D20-M <input type="checkbox"/> D40-M <input type="checkbox"/> D100-M	DM Dimming Module <input type="checkbox"/> DM-Z1	A LUTRON <input type="checkbox"/> D40-A Hi-lume 1% 2-wire, Constant Voltage, UL-Recognized, 40W <input type="checkbox"/> D40-A-R Hi-lume 1% 2-wire, Constant Voltage, UL-Listed, 40W <input type="checkbox"/> D40-A-L3D Hi-lume 1% EcoSystem/3-Wire, Constant Voltage, UL-Recognized, 40W <input type="checkbox"/> D40-A-L3D-R Hi-lume 1% EcoSystem/3-Wire, Constant Voltage, UL-Listed, 40W <input type="checkbox"/> D100-A Hi-lume Premier 0.1%, Constant Voltage, UL-Listed, 96W																																									

Notes
 Refer to Light Engine Data Sheets for Light Engine Increments.
 Track is cut to exact length (1/8" tolerance)
 Allow tolerance for wiring/ plugs
 Fixtures up to Class 2 max. length

Custom Lengths
 Fully assembled up to ≤ 8 ft. (96 in).
 Fixtures > 8 ft. (96 in) may require assembly at the job site.

SIGNATURE (Required if Final Lengths)

Final Order Lengths*
 Budgetary only, requires field verification

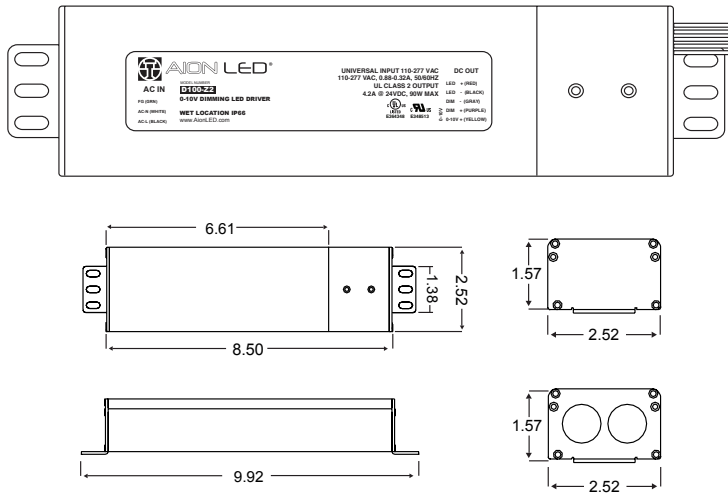
Component of a complete system including: Aion LED A-Track Light Engine, Aion LED A-Track housing with diffuser lens, & Aion LED driver (power supply). Dimmer not included. Approved dimmers, controls, power supplies, cable, & other components only. Contact Aion LED for questions regarding compatibility. Electrician installed. Strictly adhere to NEC & local building code. Limited 5-year warranty against manufacturing defects only, does not cover labor; voided by: inadequate ventilation, field modifications, installation by unqualified personnel, unapproved controls, drivers, cabling, other devices, not following installation guidelines & protocol, general negligence. Installer assumes all liability with regard to property & safety. This product is UL listed. See separate "Aion LED Warranty Terms" & additional instructional materials for more information. Authorized installers only. Systems tested prior to shipping.



LUMINAIRE CUT SHEET
 100% CD
 10.16.2018

Wailuku Civic Hub
 Maui, HI
 Type: F3/F3A/F3B

Z2 BLUE
0-10V



0-10V Wall Box Dimmer

Universal Input:
110VAC- 277VAC 50-60 Hz

Lutron DIVA DV TV Compatible

Dimming range: Dims to 1%
Varies by dimmer model

IP66 enclosure for wet location applications

MODEL	D100-Z2
INPUT FREQUENCY	50-60 Hz
INRUSH CURRENT	220 VAC: 40A
MAX OUTPUT CURRENT	4.2 A
INPUT VOLTAGE	110 - 277 VAC 0.88-0.32
DIMMER TYPE	0-10V
MAX OUTPUT POWER	100W
LOAD REGULATION	± 5%
SHORT CIRCUIT PROTECTION	YES
RATED LIFETIME	65,000 Hours
CASE	IP66 WET LOCATION

Max Lengths

3000 Series	60 (2x30)
4000 Series	30
8000 Series	15

Approved Dimmers

- Lutron DVSTV
- Lutron NTSTV
- Forbes & Lomax RPS
- All other 0-10V sinking and sourcing dimmers.



Components of a complete system include: Aion LED A-Track Light Engine, Aion LED A-Track housing with diffuser lens, & Aion LED driver (power supply). Dimmer not included. Approved dimmers, controls, power supplies, cable, & other components only. Contact Aion LED for questions regarding compatibility. Electrician installed. Strictly adhere to NEC & local building code. Limited 5-year warranty against manufacturing defects only, does not cover labor; voided by: inadequate ventilation, field modifications, installation by unqualified personnel, unapproved controls, drivers, cabling, other devices, not following installation guidelines & protocol, general negligence. Installer assumes all liability with regard to property & safety. This product is UL listed. See separate "Aion LED Warranty Terms" & additional instructional materials for more information. Authorized installers only. Systems tested prior to shipping.

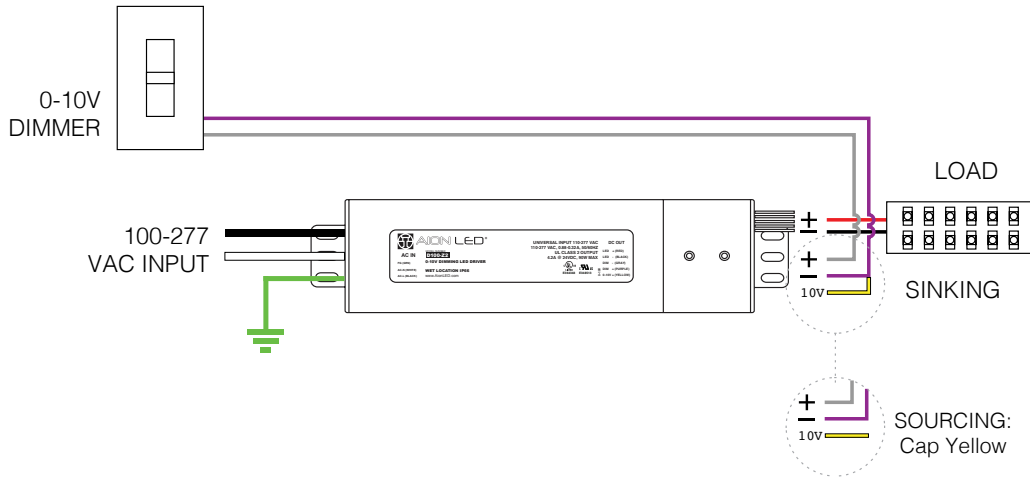
AIONLED.COM | (415) 255-AION
Modified: March 14, 2018
© 2018 Aion LED. All Rights Reserved



LUMINAIRE CUT SHEET
100% CD
10.16.2018

Wailuku Civic Hub
Maui, HI
Type: **F3/F3A/F3B**

WIRING DIAGRAM
Z2 BLUE



Installation Instructions

1. Install per NEC and Local code by qualified personnel
 2. Shut off power at the breaker
 3. AC Input (Primary) Requires 100-277 VAC Power and ground
 4. Connect AC within wiring compartment
 5. This unit requires 4" space in all directions
 6. Refer to the product labeling for detailed line and load wiring procedure
- Purple/ Gray/ Yellow connect to 0-10V Dimmer
Maximum Current Output: 6mA
 - Red/ Black connect to class 2 fixture
 - Load 90% MAX



Components of a complete system include: Aion LED A-Track Light Engine, Aion LED A-Track housing with diffuser lens, & Aion LED driver (power supply). Dimmer not included. Approved dimmers, controls, power supplies, cable, & other components only. Contact Aion LED for questions regarding compatibility. Electrician installed. Strictly adhere to NEC & local building code. Limited 5-year warranty against manufacturing defects only, does not cover labor; voided by: inadequate ventilation, field modifications, installation by unqualified personnel, unapproved controls, drivers, cabling, other devices, not following installation guidelines & protocol, general negligence. Installer assumes all liability with regard to property & safety. This product is UL listed. See separate "Aion LED Warranty Terms" & additional instructional materials for more information. Authorized installers only. Systems tested prior to shipping.

AION LED®
AIONLED.COM | (415) 255-AION
Modified: March 14, 2018
© 2018 Aion LED. All Rights Reserved



LUMINAIRE CUT SHEET
100% CD
10.16.2018

Wailuku Civic Hub
Maui, HI
Type: **F3/F3A/F3B**

PRELIMINARY SPECIFICATION, SUBJECT TO CHANGE WITHOUT NOTICE

AT402-G
Aion LED Grazer Optic



Narrow Profile Fixture With Narrow Angle 15° Collimation Optic

Proprietary, high-performance beam-shaping optic developed by Aion LED. Includes multi-layer design to maximize collimation and transmission while providing adequate diffusion.

**Extend Reach and Highlight Textures
Maximum Transmission, Maximum Diffusion**

Acrylic will not yellow when exposed to prolonged sunlight.

Custom Lengths

Manufactured in 8 ft lengths and cut down as required per custom dimensional requirements.

Pre-assembled: ≤ 8 ft. (96 in)

Assembly Required: > 8 ft. (96 in)

Custom Leads, Plugs & Connectors



Tested as suitable for use within clothing closet spaces by ETL/ Intertek

Must be installed in accordance with NEC 410.16 for use in clothing closet spaces

See separate installation instructions
Patent Pending - Made in the USA

PRELIMINARY SPECIFICATION, SUBJECT TO CHANGE WITHOUT NOTICE

Component of a complete system including: Aion LED A-Track Light Engine, Aion LED A-Track housing with diffuser lens, & Aion LED driver (power supply). Dimmer not included. Approved dimmers, controls, power supplies, cable, & other components only. Contact Aion LED for questions regarding compatibility. Electrician installed. Strictly adhere to NEC & local building code. Limited 5-year warranty against manufacturing defects only, does not cover labor; voided by: inadequate ventilation, field modifications, installation by unqualified personnel, unapproved controls, drivers, cabling, other devices, not following installation guidelines & protocol, general negligence. Installer assumes all liability with regard to property & safety. This product is UL listed. See separate "Aion LED Warranty Terms" & additional instructional materials for more information. Authorized installers only. Systems tested prior to shipping.



AIONLED.COM | (415) 255-AION

Modified: September 12, 2017

© 2017 Aion LED. All Rights Reserved



LUMINAIRE CUT SHEET
100% CD
10.16.2018

Wailuku Civic Hub
Maui, HI
Type: F3C

PRELIMINARY SPECIFICATION, SUBJECT TO CHANGE WITHOUT NOTICE

Customization Options

A-Track fixtures are semi custom and made to order.

If an additional option or feature is needed, please contact Aion LED to discuss.



Profile

Narrow

Lens

Grazer

Finish

Anodized Silver
Anodized Dark Bronze
Custom Color

Mounting

Mounting Clips
Pivot Mounting Clips
HD Adhesive backing

Feed

End
Rear
Side

Length

Custom pre-cut
Field Cuttable

Wiring

24" Leads
48" Leads
Custom length leads
M/F Disconnect Plugs
Color: White/ Black

A-Track orders include: A -Track housing, lens, end caps, end cap screws, wire grommets & mounting clips

Tested as suitable for use within clothing closet spaces by ETL/ Intertek

Must be installed in accordance with NEC 410.16 for use in clothing closet spaces

See separate installation instructions
Patent Pending - Made in the USA



PRELIMINARY SPECIFICATION, SUBJECT TO CHANGE WITHOUT NOTICE

Component of a complete system including: Aion LED A-Track Light Engine, Aion LED A-Track housing with diffuser lens, & Aion LED driver (power supply). Dimmer not included. Approved dimmers, controls, power supplies, cable, & other components only. Contact Aion LED for questions regarding compatibility. Electrician installed. Strictly adhere to NEC & local building code. Limited 5-year warranty against manufacturing defects only, does not cover labor; voided by: inadequate ventilation, field modifications, installation by unqualified personnel, unapproved controls, drivers, cabling, other devices, not following installation guidelines & protocol, general negligence. Installer assumes all liability with regard to property & safety. This product is UL listed. See separate "Aion LED Warranty Terms" & additional instructional materials for more information. Authorized installers only. Systems tested prior to shipping.



AIONLED.COM | (415) 255-AION
Modified: September 12, 2017

© 2017 Aion LED. All Rights Reserved

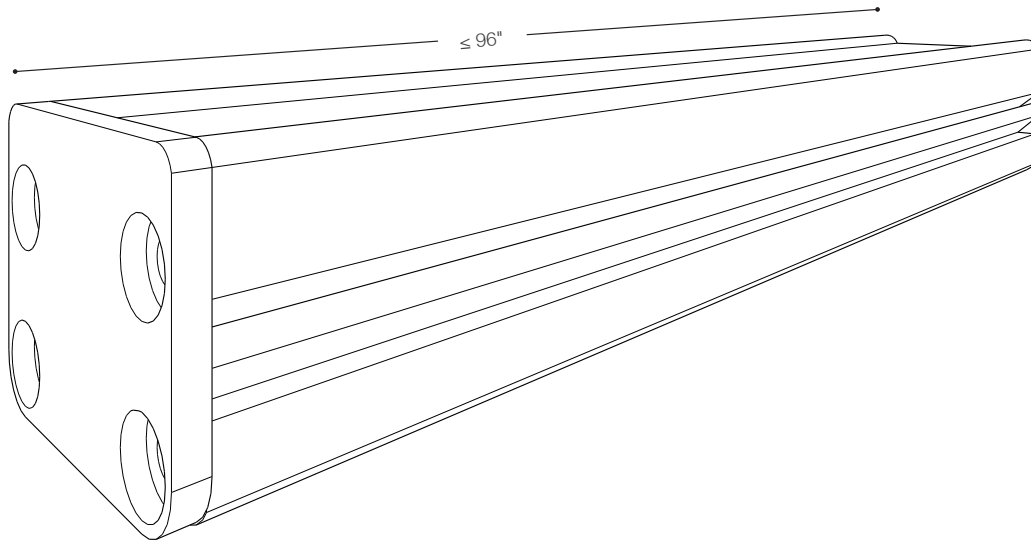


LUMINAIRE CUT SHEET
100% CD
10.16.2018

Wailuku Civic Hub
Maui, HI
Type: **F3C**

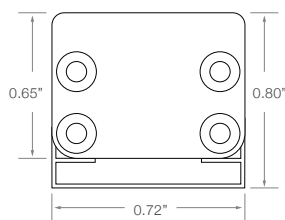
PRELIMINARY SPECIFICATION, SUBJECT TO CHANGE WITHOUT NOTICE

AT402
Narrow Profile

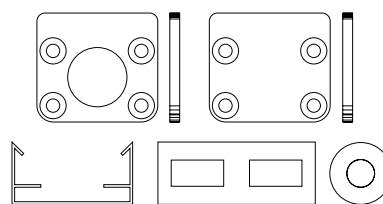


NOT TO SCALE

Dimensions
NOT TO SCALE



Accessories
SCALE 1:1



Compatibility

DIRECT VIEW	INDIRECT VIEW
9524-FR	9524-FR
6524-LE	6524-LE
4000-LE	4000-LE
	3000-LE
	7000-RGB
	5000-RGB

PRELIMINARY SPECIFICATION, SUBJECT TO CHANGE WITHOUT NOTICE

Component of a complete system including: Aion LED A-Track Light Engine, Aion LED A-Track housing with diffuser lens, & Aion LED driver (power supply). Dimmer not included. Approved dimmers, controls, power supplies, cable, & other components only. Contact Aion LED for questions regarding compatibility. Electrician installed. Strictly adhere to NEC & local building code. Limited 5-year warranty against manufacturing defects only, does not cover labor; voided by: inadequate ventilation, field modifications, installation by unqualified personnel, unapproved controls, drivers, cabling, other devices, not following installation guidelines & protocol, general negligence. Installer assumes all liability with regard to property & safety. This product is UL listed. See separate "Aion LED Warranty Terms" & additional instructional materials for more information. Authorized installers only. Systems tested prior to shipping.



AIONLED.COM | (415) 255-AION
Modified: September 12, 2017

© 2017 Aion LED. All Rights Reserved



LUMINAIRE CUT SHEET
100% CD
10.16.2018

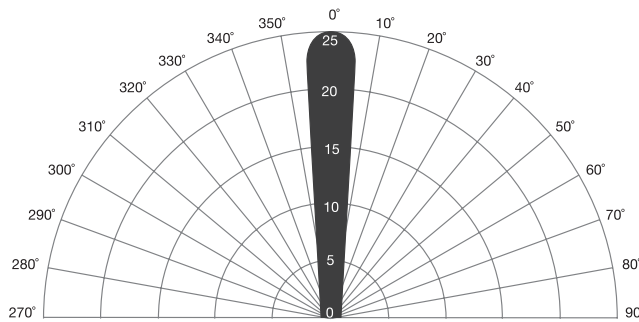
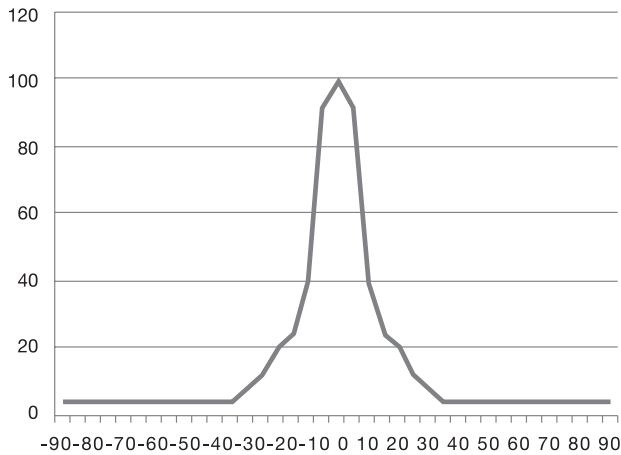
Wailuku Civic Hub
Maui, HI
Type: **F3C**

PRELIMINARY SPECIFICATION, SUBJECT TO CHANGE WITHOUT NOTICE

AT402-G
15° Collimation Optic



ACTUAL DATA



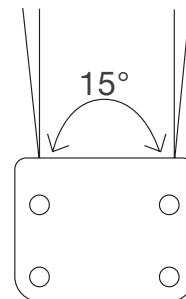
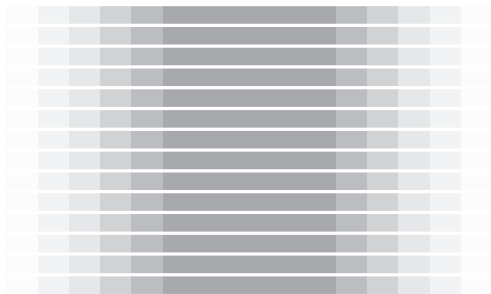
Proprietary, high-performance beam-shaping optic developed by Aion LED.

Includes multi-layer design to maximize collimation and transmission while providing adequate diffusion.

Manufactured in 8 ft lengths and cut down as required per custom dimensional requirements.

Acrylic will not yellow when exposed to prolonged sunlight.

Only available in AT402 profile.



PRELIMINARY SPECIFICATION, SUBJECT TO CHANGE WITHOUT NOTICE

Component of a complete system including: Aion LED A-Track Light Engine, Aion LED A-Track housing with diffuser lens, & Aion LED driver (power supply). Dimmer not included. Approved dimmers, controls, power supplies, cable, & other components only. Contact Aion LED for questions regarding compatibility. Electrician installed. Strictly adhere to NEC & local building code. Limited 5-year warranty against manufacturing defects only, does not cover labor; voided by: inadequate ventilation, field modifications, installation by unqualified personnel, unapproved controls, drivers, cabling, other devices, not following installation guidelines & protocol, general negligence. Installer assumes all liability with regard to property & safety. This product is UL listed. See separate "Aion LED Warranty Terms" & additional instructional materials for more information. Authorized installers only. Systems tested prior to shipping.



AIONLED.COM | (415) 255-AION

Modified: September 12, 2017

© 2017 Aion LED. All Rights Reserved



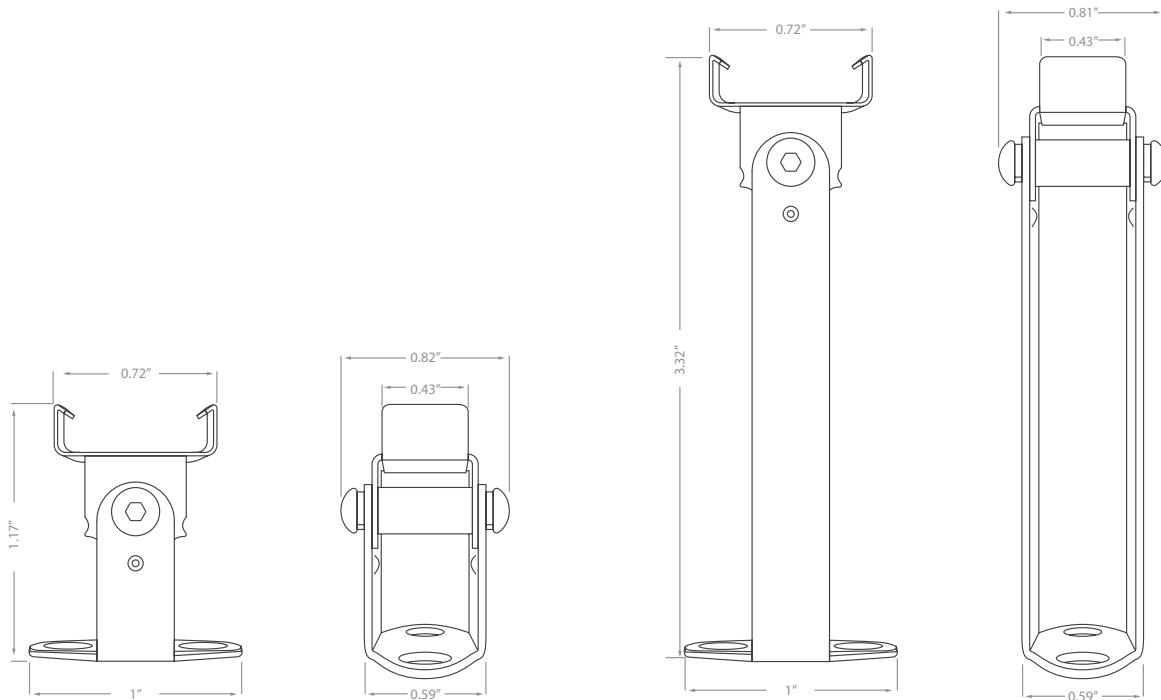
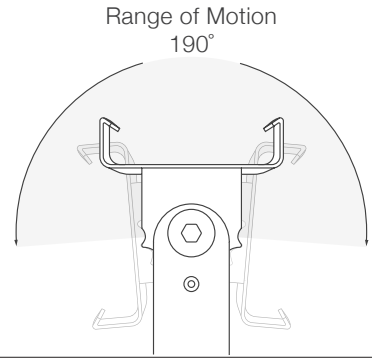
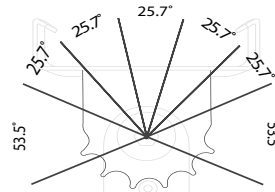
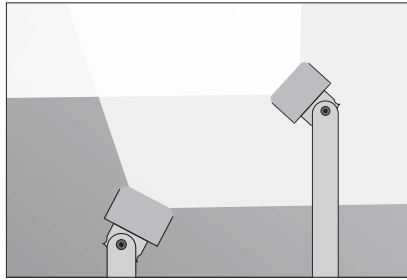
LUMINAIRE CUT SHEET
100% CD
10.16.2018

Wailuku Civic Hub
Maui, HI
Type: **F3C**

PRELIMINARY SPECIFICATION, SUBJECT TO CHANGE WITHOUT NOTICE

STAND OFF PIVOT MOUNTING CLIPS

AT40-MC-P*



1" Pivot Mounting Clip

AT40-MC-P1 Compatible with:
AT401 & AT402
WT401 & WT402

3" Pivot Mounting Clip

AT40-MC-P3 Compatible with:
AT401 & AT402
WT401 & WT402

PRELIMINARY SPECIFICATION, SUBJECT TO CHANGE WITHOUT NOTICE

Component of a complete system including: Aion LED A-Track Light Engine, Aion LED A-Track housing with diffuser lens, & Aion LED driver (power supply). Dimmer not included. Approved dimmers, controls, power supplies, cable, & other components only. Contact Aion LED for questions regarding compatibility. Electrician installed. Strictly adhere to NEC & local building code. Limited 5-year warranty against manufacturing defects only, does not cover labor; voided by: inadequate ventilation, field modifications, installation by unqualified personnel, unapproved controls, drivers, cabling, other devices, not following installation guidelines & protocol, general negligence. Installer assumes all liability with regard to property & safety. This product is UL listed. See separate "Aion LED Warranty Terms" & additional instructional materials for more information. Authorized installers only. Systems tested prior to shipping.



AIONLED.COM | (415) 255-AION
Modified: September 11, 2017

© 2017 Aion LED. All Rights Reserved



LUMINAIRE CUT SHEET
100% CD
10.16.2018

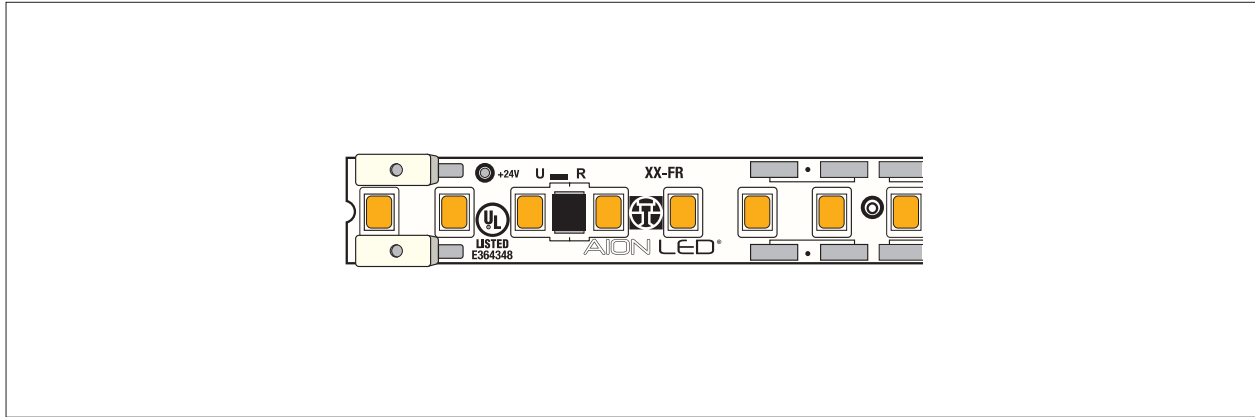
Wailuku Civic Hub
Maui, HI
Type: **F3C**

Note: This Fixture Cut Is For Information Only. Refer To Specs For All Catalogue Numbers, Lamps, Finishes, Accessories, Etc

PRELIMINARY SPECIFICATION, SUBJECT TO CHANGE WITHOUT NOTICE

FR Type

Ultra Bright Rigid Board Luminaire
with Scored Option



Ultra Bright

1,100+ Lumens per foot. Bright enough for primary applications

Field Configurable, Break to Fit

Rigid Board with 4" increment
A-Cord Poke-in Connector System compatible*

Made in the USA

Designed, Engineered & Assembled in the USA

Requires

Heat Sink, Aion LED Driver, Approved Controller, AT, WT or ST Series Housing. Sold Separately, Not Included

Tested as suitable for use within clothing closet spaces by ETL/ Intertek

Must be installed in accordance with NEC 410.16 for use in clothing closet spaces

* See included instructions for a clean break that doesn't damage circuit board



PRELIMINARY SPECIFICATION, SUBJECT TO CHANGE WITHOUT NOTICE

Component of a complete system including: Aion LED A-Track Light Engine, Aion LED A-Track housing with diffuser lens, & Aion LED driver (power supply). Dimmer not included. Approved dimmers, controls, power supplies, cable, & other components only. Contact Aion LED for questions regarding compatibility. Electrician installed. Strictly adhere to NEC & local building code. Limited 5-year warranty against manufacturing defects only, does not cover labor; voided by: inadequate ventilation, field modifications, installation by unqualified personnel, unapproved controls, drivers, cabling, other devices, not following installation guidelines & protocol, general negligence. Installer assumes all liability with regard to property & safety. This product is UL listed. See separate "Aion LED Warranty Terms" & additional instructional materials for more information. Authorized installers only. Systems tested prior to shipping.

AION LED®
AIONLED.COM | (415) 255-AION
Modified: December 22, 2017
© 2017 Aion LED. All Rights Reserved



LUMINAIRE CUT SHEET
100% CD
10.16.2018

Wailuku Civic Hub
Maui, HI
Type: **F3C**

PRELIMINARY SPECIFICATION, SUBJECT TO CHANGE WITHOUT NOTICE

95+ CRI White
Single Bin



ZERO DIM™

- 22** 2150K • 95+ CRI **35** 3450K • 95+ CRI
- 24** 2350K • 95+ CRI **40** 3950K • 95+ CRI
- 27** 2650K • 95+ CRI **55** 5500K • 85+ CRI
- 30** 2950K • 95+ CRI

10.7W /ft.*
≤ 1,100 Lumens /ft.*

Rated lifetime:
50,000 hours min.

Available in 12" & 48"
connectible end to end

Minimum Increment: 4"

Scored Rigid Board Option
Available
SKU: 9524-FRS

Requires

Heat Sink, Aion LED Driver, Approved Controller, AT, WT or ST Series
Housing. Sold Separately, Not Included

Tested as suitable for use within
clothing closet spaces by ETL/ Intertek

Must be installed in accordance with
NEC 410.16 for use in clothing closet
spaces



PRELIMINARY SPECIFICATION, SUBJECT TO CHANGE WITHOUT NOTICE

Component of a complete system including: Aion LED A-Track Light Engine, Aion LED A-Track housing with diffuser lens, & Aion LED driver (power supply). Dimmer not included. Approved dimmers, controls, power supplies, cable, & other components only. Contact Aion LED for questions regarding compatibility. Electrician installed. Strictly adhere to NEC & local building code. Limited 5-year warranty against manufacturing defects only, does not cover labor; voided by: inadequate ventilation, field modifications, installation by unqualified personnel, unapproved controls, drivers, cabling, other devices, not following installation guidelines & protocol, general negligence. Installer assumes all liability with regard to property & safety. This product is UL listed. See separate "Aion LED Warranty Terms" & additional instructional materials for more information. Authorized installers only. Systems tested prior to shipping.



AIONLED.COM | (415) 255-AION
Modified: December 22, 2017

© 2017 Aion LED. All Rights Reserved

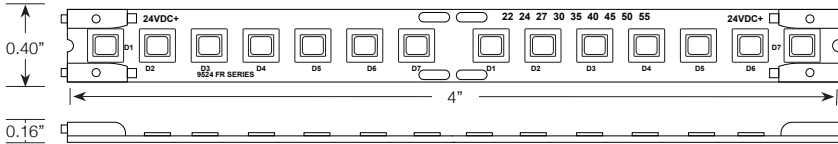


LUMINAIRE CUT SHEET
100% CD
10.16.2018

Wailuku Civic Hub
Maui, HI
Type: **F3C**

PRELIMINARY SPECIFICATION, SUBJECT TO CHANGE WITHOUT NOTICE

9524-FR
Ultra High Output Luminaire with Rigid Board



10.7 W /ft.*
≤ 1,100 Lumens /ft.*

Rated lifetime:
50,000 hours min.

Available in 12" & 48"
connectible end to end

Minimum Increment: 4"

Max run:
8 ft. per Class 2 Limit

Requires Heat Sink

Also available:
9524-FRS Scored Rigid Board

	9524-22-FR	9524-24-FR	9524-27-FR	9524-30-FR	9524-35-FR	9524-40-FR	9524-55-FR
Total Lumens	840.13		1004.98	1047.29	1094.83	1117.04	
Input Power (W)	10.70		10.67	10.75	10.69	10.7	
Efficacy	79		94	97	102	105	
Color Rendering Index (CRI)	95		97	98	97	96	
R9	82.02		92.62	89.68	97.92	94.96	
Input Voltage (VDC)	24	24	24	24	24	24	24
Input Current (AMP)	0.45		0.44	0.45	0.45	0.44	
Correlated Color Temperature	2150K	2350K	2650K	2950K	3450K	3950K	5500K



PRELIMINARY SPECIFICATION, SUBJECT TO CHANGE WITHOUT NOTICE

Component of a complete system including: Aion LED A-Track Light Engine, Aion LED A-Track housing with diffuser lens, & Aion LED driver (power supply). Dimmer not included. Approved dimmers, controls, power supplies, cable, & other components only. Contact Aion LED for questions regarding compatibility. Electrician installed. Strictly adhere to NEC & local building code. Limited 5-year warranty against manufacturing defects only, does not cover labor, voided by: inadequate ventilation, field modifications, installation by unqualified personnel, unapproved controls, drivers, cabling, other devices, not following installation guidelines & protocol, general negligence. Installer assumes all liability with regard to property & safety. This product is UL listed. See separate "Aion LED Warranty Terms" & additional instructional materials for more information. Authorized installers only. Systems tested prior to shipping.

AION LED®
AIONLED.COM | (415) 255-AION
Modified: December 22, 2017
© 2017 Aion LED. All Rights Reserved



LUMINAIRE CUT SHEET
100% CD
10.16.2018

Wailuku Civic Hub
Maui, HI
Type: **F3C**

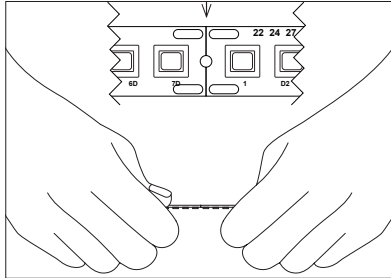
PRELIMINARY SPECIFICATION, SUBJECT TO CHANGE WITHOUT NOTICE

FR & FRS Type Assembly Instructions

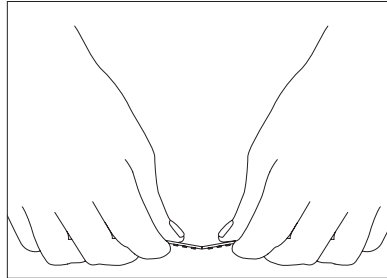
Product ships as 48", 12" and FRS-12 (12" 3 x 4"). Requires Aion LED A-Cord Interconnect pins and cable to connect multiple sections together. FRS-12 includes a frangible circuitboard featuring break to fit technology. Maximum run is 8 ft. (96") per Class 2 limit.

FRS-12 Break to Fit

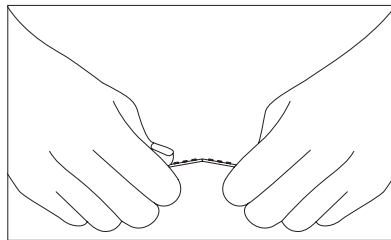
In order to make 4" and 8" sections follow the instructions to break on score marks



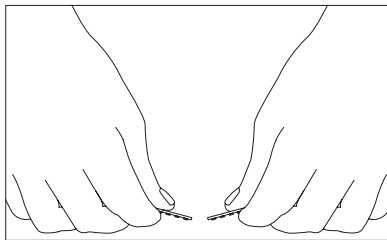
1) Grasp the FR Type light engine on either side of the scored mark



2) Gently apply firm pressure to bend the light engine away from you



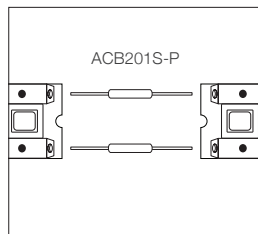
3) Carefully bend the light engine in the opposite direction



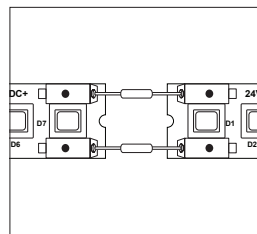
4) Gently reapply firm pressure to bend the light engine away from you until it snaps in two pieces

Poke-In Connector

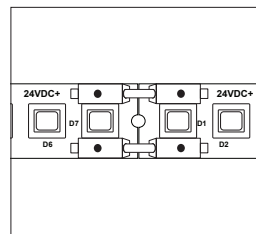
FR & FRS Type



1) Strip back Aion LED A-Cord Interconnect Cable or Pin to expose .33" on either side. Line up with FR Series Connectors



2) Insert Solid Core A-Cord into FR Series Poke-In Connectors



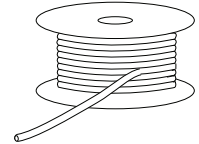
3) Gently snap into place for a secure fit.

FR Type Part Numbers

Aion LED FR Type

Part Number	Length
9524-XX-FR-48	48"
9524-XX-FR-12	12"
9524-XX-FRS-12	12" (3 x 4")

Aion LED A-Cord Interconnect Cable
Black Jacket
UL Listed



Part Number	Aion Solid-Core Cable
ACB201S-1	12"
ACB201S-500	500 ft. Spool
ACB201S-P	1" Solid Core Pin



PRELIMINARY SPECIFICATION, SUBJECT TO CHANGE WITHOUT NOTICE

Component of a complete system including: Aion LED A-Track Light Engine, Aion LED A-Track housing with diffuser lens, & Aion LED driver (power supply). Dimmer not included. Approved dimmers, controls, power supplies, cable, & other components only. Contact Aion LED for questions regarding compatibility. Electrician installed. Strictly adhere to NEC & local building code. Limited 5-year warranty against manufacturing defects only, does not cover labor; voided by: inadequate ventilation, field modifications, installation by unqualified personnel, unapproved controls, drivers, cabling, other devices, not following installation guidelines & protocol, general negligence. Installer assumes all liability with regard to property & safety. This product is UL listed. See separate "Aion LED Warranty Terms" & additional instructional materials for more information. Authorized installers only. Systems tested prior to shipping.



AIONLED.COM | (415) 255-AION

Modified: December 22, 2017

© 2017 Aion LED. All Rights Reserved



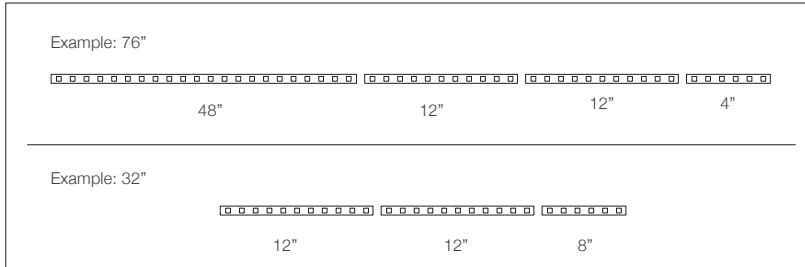
LUMINAIRE CUT SHEET
100% CD
10.16.2018

Wailuku Civic Hub
Maui, HI
Type: F3C

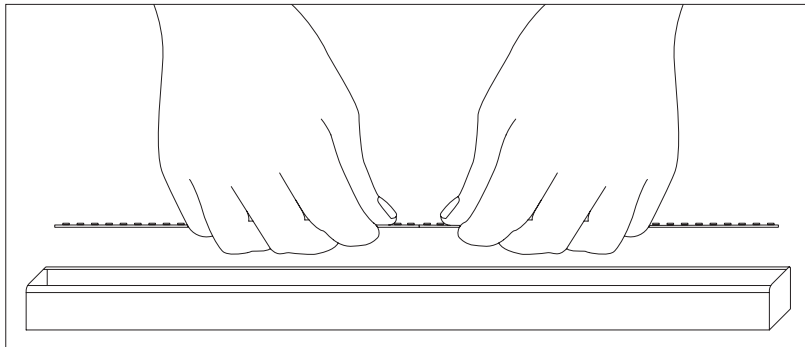
PRELIMINARY SPECIFICATION, SUBJECT TO CHANGE WITHOUT NOTICE

FR & FRS Type Installation Instructions

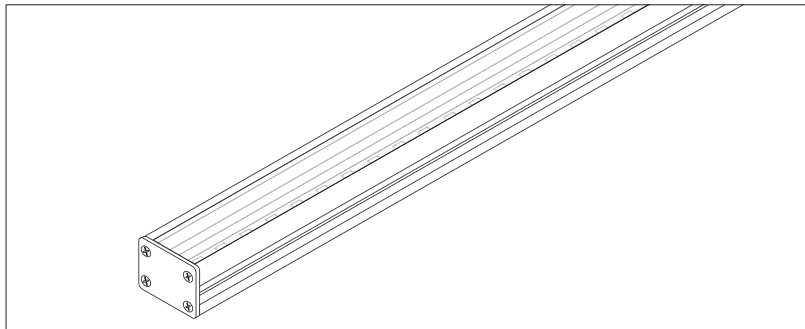
FR Type must be mounted to a heat-sink. Prepare mounting surface by cleaning with provided alcohol pad.



1) Layout all parts on a table to determine which parts and pieces go together based on how many fixtures and what fixture lengths are required. Maximum run is 8 ft. (96") per Class 2 limit.



2) Center assembled circuitboard within A-Track housing and carefully adhere with included heat-sink tape. **Heat-sink tape is permanent and bonds instantly.** Ensure that the circuitboard is installed correctly the first time.



3) Complete fixture per housing assembly instructions.



PRELIMINARY SPECIFICATION, SUBJECT TO CHANGE WITHOUT NOTICE

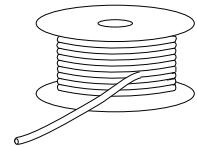
Component of a complete system including: Aion LED A-Track Light Engine, Aion LED A-Track housing with diffuser lens, & Aion LED driver (power supply). Dimmer not included. Approved dimmers, controls, power supplies, cable, & other components only. Contact Aion LED for questions regarding compatibility. Electrician installed. Strictly adhere to NEC & local building code. Limited 5-year warranty against manufacturing defects only, does not cover labor; voided by: inadequate ventilation, field modifications, installation by unqualified personnel, unapproved controls, drivers, cabling, other devices, not following installation guidelines & protocol, general negligence. Installer assumes all liability with regard to property & safety. This product is UL listed. See separate "Aion LED Warranty Terms" & additional instructional materials for more information. Authorized installers only. Systems tested prior to shipping.

FR Type Part Numbers

Aion LED FR Type

Part Number	Length
9524-XX-FR-48	48"
9524-XX-FR-12	12"
9524-XX-FRS-12	12" (3 x 4")

Aion LED A-Cord Interconnect Cable
Black Jacket
UL Listed



Part Number	Aion Solid-Core Cable
ACB201S-1	12"
ACB201S-500	500 ft. Spool
ACB201S-P	1" Solid Core Pin



AIONLED.COM | (415) 255-AION
Modified: December 22, 2017

© 2017 Aion LED. All Rights Reserved



LUMINAIRE CUT SHEET
100% CD
10.16.2018

Wailuku Civic Hub
Maui, HI
Type: **F3C**

NAME _____ LOCATION _____ SPECIFIER _____

HOUSING	AT <input type="checkbox"/> <input type="checkbox"/> <input type="checkbox"/> <input type="checkbox"/>		<input type="checkbox"/> <input type="checkbox"/>		<input type="checkbox"/> <input type="checkbox"/> <input type="checkbox"/>	
	AT SERIES HOUSING		LENS		FINISH	
	<input type="checkbox"/> <input type="checkbox"/> <input type="checkbox"/> <input type="checkbox"/> <input type="checkbox"/> 4 0 1 4 0 2 8 0 1 <input type="checkbox"/> <input type="checkbox"/> 8 0 2 8 4 5		<input type="checkbox"/> Frosted <input type="checkbox"/> Prismatic <input type="checkbox"/> Clear AT-402 ONLY <input type="checkbox"/> Grazer		<input type="checkbox"/> <input type="checkbox"/> Silver (Standard-leave blank) <input type="checkbox"/> <input type="checkbox"/> <input type="checkbox"/> Dark Bronze	
LIGHT ENGINE	9524 - <input type="checkbox"/> <input type="checkbox"/>		<input type="checkbox"/> <input type="checkbox"/> <input type="checkbox"/>		<input type="checkbox"/> <input type="checkbox"/>	
	COLOR CODE		MODEL TYPE		LENGTH	
	<input type="checkbox"/> 2 2 2150K <input type="checkbox"/> A Amber <input type="checkbox"/> 2 4 2350K <input type="checkbox"/> B Blue <input type="checkbox"/> 2 7 2650K <input type="checkbox"/> R Red <input type="checkbox"/> 3 0 2950K <input type="checkbox"/> G Green <input type="checkbox"/> 3 5 3450K <input type="checkbox"/> 4 0 3950K <input type="checkbox"/> 5 5 5500K		<input type="checkbox"/> <input type="checkbox"/> <input type="checkbox"/> Frangible Rigid <input type="checkbox"/> <input type="checkbox"/> <input type="checkbox"/> <input type="checkbox"/> Frangible Rigid Scored		<input type="checkbox"/> <input type="checkbox"/> 12" <input type="checkbox"/> <input type="checkbox"/> <input type="checkbox"/> 48" <input type="checkbox"/> <input type="checkbox"/> 12" (3 x 4")	
LEADS	POWER LEADS		JUMPER W/ DISCONNECT PLUGS		HARD WIRED JUMPERS	
	<input type="checkbox"/> <input type="checkbox"/> <input type="checkbox"/> - <input type="checkbox"/> <input type="checkbox"/> 2 4 White 24" <input type="checkbox"/> <input type="checkbox"/> <input type="checkbox"/> <input type="checkbox"/> - <input type="checkbox"/> <input type="checkbox"/> 2 4 Black 24" <input type="checkbox"/> <input type="checkbox"/> <input type="checkbox"/> - <input type="checkbox"/> <input type="checkbox"/> Custom		<input type="checkbox"/> <input type="checkbox"/> <input type="checkbox"/> - <input type="checkbox"/> <input type="checkbox"/> <input type="checkbox"/> 4 White <input type="checkbox"/> <input type="checkbox"/> <input type="checkbox"/> <input type="checkbox"/> - <input type="checkbox"/> <input type="checkbox"/> <input type="checkbox"/> 4 Black <input type="checkbox"/> <input type="checkbox"/> <input type="checkbox"/> - <input type="checkbox"/> <input type="checkbox"/> <input type="checkbox"/> Custom		<input type="checkbox"/> <input type="checkbox"/> <input type="checkbox"/> - <input type="checkbox"/> <input type="checkbox"/> 4 White <input type="checkbox"/> <input type="checkbox"/> <input type="checkbox"/> <input type="checkbox"/> - <input type="checkbox"/> <input type="checkbox"/> 4 Black <input type="checkbox"/> <input type="checkbox"/> <input type="checkbox"/> - <input type="checkbox"/> <input type="checkbox"/> Custom	
	REFERENCE LEADS & PLUGS CONFIGURATION TYPES PAGE					
DRIVER	Aion LED A-Cord Interconnect Cable					
	12"		500 ft. Spool		1" Pin	
	<input type="checkbox"/> <input type="checkbox"/> <input type="checkbox"/> <input type="checkbox"/> <input type="checkbox"/> 2 0 1 - 1		<input type="checkbox"/> <input type="checkbox"/> <input type="checkbox"/> <input type="checkbox"/> 2 0 1 - 5 0 0		<input type="checkbox"/> <input type="checkbox"/> <input type="checkbox"/> 2 0 1 - P	
	DC MLV DIMMING		Z 0-10V DIMMING		X DMX, 1 CHANNEL	
	<input type="checkbox"/> D50-DC <input type="checkbox"/> 120 VAC <input type="checkbox"/> D100-DC <input type="checkbox"/> 240 VAC <input type="checkbox"/> D300-DC3 <input type="checkbox"/> 277 VAC		<input type="checkbox"/> D100-Z2		<input type="checkbox"/> D100-X1 DMX CONTROLLER <input type="checkbox"/> AX5-1 <input type="checkbox"/> DTM	
M Non Dimming		DM Dimming Module		A LUTRON		
<input type="checkbox"/> D12-M <input type="checkbox"/> D20-M <input type="checkbox"/> D40-M <input type="checkbox"/> D100-M		<input type="checkbox"/> DM-Z1		<input type="checkbox"/> D40-A Hi-lume 1% 2-wire, Constant Voltage, UL-Recognized, 40W <input type="checkbox"/> D40-A-R Hi-lume 1% 2-wire, Constant Voltage, UL-Listed, 40W		
<input type="checkbox"/> D40-A-L3D Hi-lume 1% EcoSystem/3-Wire, Constant Voltage, UL-Recognized, 40W <input type="checkbox"/> D40-A-L3D-R Hi-lume 1% EcoSystem/3-Wire, Constant Voltage, UL-Listed, 40W <input type="checkbox"/> D100-A Hi-lume Premier 0.1%, Constant Voltage, UL-Listed, 96W						

Required Fixture Lengths

Please input fixture lengths/ quantity & configuration types

ZONE	LENGTH	QUANTITY	CONFIGURATION TYPE

Notes
 Refer to Light Engine Data Sheets for Light Engine Increments.
 Track is cut to exact length (1/8" tolerance)
 Allow tolerance for wiring/ plugs
 Fixtures up to Class 2 max. length

Custom Lengths
 Fully assembled up to ≤ 8 ft. (96 in).
 Fixtures > 8 ft. (96 in) may require assembly at the job site.

SIGNATURE (Required if Final Lengths)

Final Order Lengths*

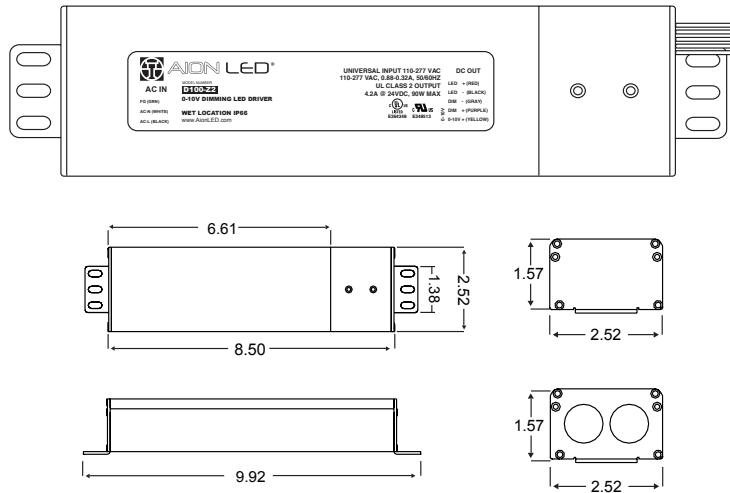
Budgetary only, requires field verification

Component of a complete system including: Aion LED A-Track Light Engine, Aion LED A-Track housing with diffuser lens, & Aion LED driver (power supply). Dimmer not included. Approved dimmers, controls, power supplies, cable, & other components only. Contact Aion LED for questions regarding compatibility. Electrician installed. Strictly adhere to NEC & local building code. Limited 5-year warranty against manufacturing defects only, does not cover labor; voided by: inadequate ventilation, field modifications, installation by unqualified personnel, unapproved controls, drivers, cabling, other devices, not following installation guidelines & protocol, general negligence. Installer assumes all liability with regard to property & safety. This product is UL listed. See separate "Aion LED Warranty Terms" & additional instructional materials for more information. Authorized installers only. Systems tested prior to shipping.



Z2 BLUE

0-10V



MODEL	D100-Z2
INPUT FREQUENCY	50-60 Hz
INRUSH CURRENT	220 VAC: 40A
MAX OUTPUT CURRENT	4.2 A
INPUT VOLTAGE	110 - 277 VAC 0.88-0.32
DIMMER TYPE	0-10V
MAX OUTPUT POWER	100W
LOAD REGULATION	± 5%
SHORT CIRCUIT PROTECTION	YES
RATED LIFETIME	65,000 Hours
CASE	IP66 WET LOCATION

0-10V Wall Box Dimmer

Universal Input:
110VAC- 277VAC 50-60 Hz

Lutron DIVA DV TV Compatible

Dimming range: Dims to 1%
Varies by dimmer model

IP66 enclosure for wet location applications

Max Lengths

3000 Series	60 (2x30)
4000 Series	30
8000 Series	15

Approved Dimmers

Lutron DVSTV

Lutron NTSTV

Forbes & Lomax RPS

All other 0-10V sinking
and sourcing dimmers.



Components of a complete system include: Aion LED A-Track Light Engine, Aion LED A-Track housing with diffuser lens, & Aion LED driver (power supply). Dimmer not included. Approved dimmers, controls, power supplies, cable, & other components only. Contact Aion LED for questions regarding compatibility. Electrician installed. Strictly adhere to NEC & local building code. Limited 5-year warranty against manufacturing defects only, does not cover labor; voided by: inadequate ventilation, field modifications, installation by unqualified personnel, unapproved controls, drivers, cabling, other devices, not following installation guidelines & protocol, general negligence. Installer assumes all liability with regard to property & safety. This product is UL listed. See separate "Aion LED Warranty Terms" & additional instructional materials for more information. Authorized installers only. Systems tested prior to shipping.



AIONLED.COM | (415) 255-AION

Modified: March 14, 2018

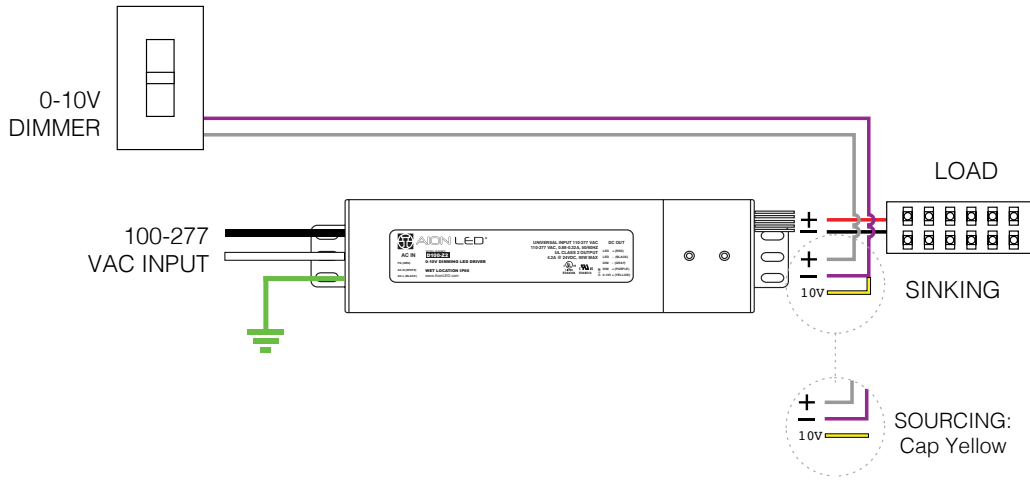
© 2018 Aion LED. All Rights Reserved



LUMINAIRE CUT SHEET
100% CD
10.16.2018

Wailuku Civic Hub
Maui, HI
Type: **F3C**

WIRING DIAGRAM
Z2 BLUE



Installation Instructions

1. Install per NEC and Local code by qualified personnel
 2. Shut off power at the breaker
 3. AC Input (Primary) Requires 100-277 VAC Power and ground
 4. Connect AC within wiring compartment
 5. This unit requires 4" space in all directions
 6. Refer to the product labeling for detailed line and load wiring procedure
- Purple/ Gray/ Yellow connect to 0-10V Dimmer
Maximum Current Output: 6mA
 - Red/ Black connect to class 2 fixture
 - Load 90% MAX



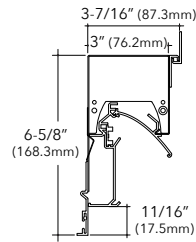
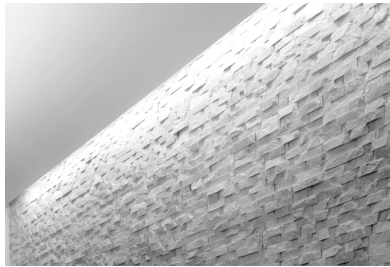
Components of a complete system include: Aion LED A-Track Light Engine, Aion LED A-Track housing with diffuser lens, & Aion LED driver (power supply). Dimmer not included. Approved dimmers, controls, power supplies, cable, & other components only. Contact Aion LED for questions regarding compatibility. Electrician installed. Strictly adhere to NEC & local building code. Limited 5-year warranty against manufacturing defects only, does not cover labor; voided by: inadequate ventilation, field modifications, installation by unqualified personnel, unapproved controls, drivers, cabling, other devices, not following installation guidelines & protocol, general negligence. Installer assumes all liability with regard to property & safety. This product is UL listed. See separate "Aion LED Warranty Terms" & additional instructional materials for more information. Authorized installers only. Systems tested prior to shipping.

AION LED®
AIONLED.COM | (415) 255-AION
Modified: March 14, 2018
© 2018 Aion LED. All Rights Reserved



LUMINAIRE CUT SHEET
100% CD
10.16.2018

Wailuku Civic Hub
Maui, HI
Type: **F3C**



EDGE EV3WG

3" Recessed Linear Wall Grazer

Key Features

- Extruded aluminum trim with formed cold rolled 20 gauge steel back box housing
- Edge Evolution Wall Grazer is designed to highlight textured wall surfaces
- Not recommended for smooth surfaces
- Offered with a 5-year limited warranty. Covers LED, driver and fixture
- UL and cUL listed. IC rated
- Approved for dry/damp location unless otherwise noted
- Room-Side Maintenance for LED system
- Buy American Act compliant



Example Part #: EV3WG-830HO-26'-G1-U-OL1-1-0-W



CRI, CCT & OUTPUT	LENGTH OR PATTERN ¹	MOUNTING ²	VOLTAGE
----- CRI, CCT & OUTPUT _27_ - 2700K _30_ - 3000K _35_ - 3500K _40_ - 4000K CL_ - Custom Lumens CW_ - Custom Watts Lumen Output pg. 2 Example: 830HO is 8 = 80 CRI; 30 = 3000K; HO = High Output; Blank = Standard Output	----- LENGTH OR PATTERN¹ __ - Individual Fixture __ - Continuous Row LI_x_ - Inside L Shape LO_x_ - Outside L Shape RI_x_ - Inside Rectangle RO_x_ - Outside Rectangle SI_ - Inside Square SO_ - Outside Square M - Mod Layout Length and Pattern pg. 2-3	----- MOUNTING² G1(G) - 1" (15/16") T Bar G9(G) - 9/16" T Bar GS(G) - Screw Slot T Bar FL(F) - 1/2" Flange NF(N) - Non Flange SF(S) - Spackle Flange Mounting pg. 3	----- VOLTAGE U - Universal (120 thru 277V) 1 - 120V 2 - 277V 3 - 347V Voltage pg. 4
DRIVER	CIRCUITING	BATTERY & EMERGENCY ³	FINISH
----- DRIVER OL1 - Osram (10%, 0-10v, standard) OL2 - Osram (1%, 0-10v) OL3 - Osram 347v (10%, 0-10v) EE1 - eldoLED ECOdrive (1%, 0-10v) EE3 - eldoLED ECOdrive (1%, DALI) PL2 - Philips Xitanium (1%, 0-10v) PS1 - Philips Xitanium (50%/100%) LH1 - Lutron Hi-lume (1%, EcoSystem) LH3 - Lutron Hi-lume (1%, 3-wire) LS1 - Lutron 5-Series (5%, EcoSystem) ND - Non-Dimming Driver pg. 4	----- CIRCUITING 1 - Single Circuit M - Multi Circuit E - Emergency (entire fixture) N - Night Light (entire fixture) Circuiting pg. 4	----- BATTERY & EMERGENCY³ 0 - None P - Philips Bodine 10W I - Iota 10W IC - Iota 10W (CEC Listed) E - Emergency Circuit Section N - Night Light Circuit Section L - Life Safety Circuit Section G - Philips Bodine GTD Battery and Emergency pg. 4	----- FINISH W - White S - Metallic Silver BL - Textured Black BR - Bronze GR - Graphite CC - Custom Color Finish pg. 5
FIXTURE OPTIONS	CONTROLS		
----- FIXTURE OPTIONS CP - Chicago Plenum EF - End Filler Fixture Options pg. 5	----- CONTROLS Pinnacle is able to accommodate different control solutions from different manufacturers. Consult Factory for more information.		

¹ Individual fixtures come in 2', 3', 4', 5', 6', 8' lengths. Continuous row come in 1' increments. For Patterns, specify pattern shape and overall dimensions. Example: LO6x4: L pattern that is 6'x4'. ²Specify mounting for individual or continuous length: G1, G9, GS, FL, NF & SF for continuous rows, G1G, G9G, GSG, FLF, NFN, SFS for individual lengths. ³Enter quantity for Battery and Emergency, Example 2P.

Specifications and dimensions subject to change without notice. Specification sheets that appear on pinnacle-ltg.com are the most recent version and supersede all other previously printed or electronic versions.





CRI, CCT & Output

- Specify either 80 or 90 CRI
- Longer lead-time may apply for 90 CRI. Consult factory
- 80 CRI = R9≥19 and 90 CRI = R9≥61

Custom Output- Lumens OR Wattage

CL_____	Specify CRI, CCT and desired lumens (i.e. CL835400)	Specify lumens between standard offering listed below. Lumens are specified per color temp
CW_____	Specify CRI, CCT and desired wattage (i.e. CW9407)	Specify watts between standard offering listed below

80 CRI

	Color	Output	Watts per foot	Shielding WG Wall Grazer	
				Lumens/ft	LPW
830	3000K	Standard	6.0	303	50.3
830HO	3000K	High	10.3	479	46.6
835	3500K	Standard	6.0	316	52.4
835HO	3500K	High	10.3	500	48.7
840	4000K	Standard	6.0	324	53.8
840HO	4000K	High	10.3	513	49.9

90 CRI

927	2700K	Standard	6.0	249	41.3
927HO	2700K	High	10.3	393	38.2
930	3000K	Standard	6.0	280	46.5
930HO	3000K	High	10.3	442	43.0
935	3500K	Standard	6.0	285	47.3
935HO	3500K	High	10.3	450	43.8
940	4000K	Standard	6.0	290	48.1
940HO	4000K	High	10.3	458	44.6

Length

- Individual units cannot be joined, end plates are factory installed and cannot be removed
- Refer to Pattern section for specification and ordering options
- Continuous Rows are made up of even and odd length fixtures; designed to fall on-grid

2	3	4	5	6	8	-
Indiv. Fixture	Indiv. Fixture	Indiv. Fixture	Indiv. Fixture	Indiv. Fixture	Indiv. Fixture	Cont. Run
23" (584.2mm)						Specify nominal overall row length to the 1'
	35" (889mm)					
		47" (1193.8mm)				
			59" (1498.6mm)			
				71" (1803.4mm)		
					95" (2413mm)	

Specify to the 1' >>>

Specifications and dimensions subject to change without notice. Specification sheets that appear on pinnacle-ltg.com are the most recent version and supersede all other previously printed or electronic versions.

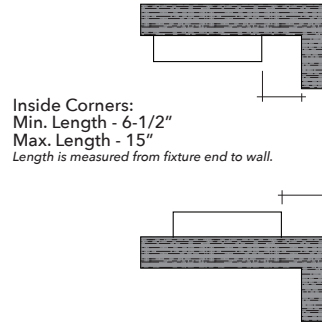
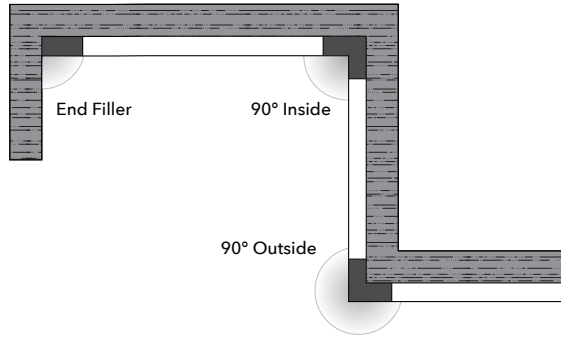




Pattern

- Grazer is a complete perimeter lighting solution that includes inside corners, outside corners, and end fillers
- Corners are 90 degree and allow for +/- 5 degrees of adjustability to accommodate wall imperfections
- Specify runs to the nearest foot. Corners are slid into place to finish the perimeter lighting
- Field cut End Fillers have a maximum length of 6"
- Inside and Outside corners are field cut. Detailed length information will be on Factory Drawings
- See installation instructions for detailed information

SI_	SO_	RI_x_	RO_x_	UI_x_x_	UO_x_x_	LI_x_	LO_x_	M
Square, Inside (SI) or Outside (SO) Provide overall length dimension for each fixture leg		Rectangle, Inside (RI) or Outside (RO) Provide overall length dimension for each fixture leg		U-Shape, Inside (UI) or Outside (UO) Provide overall length dimension for each fixture leg		L-Shape, Inside (LI) or Outside (LO) Provide overall length dimension for each fixture leg		Mod Layout For 45 degrees, patterns or lengths not shown or standard



All fixture lengths within a pattern will be rounded to the nearest foot. End fillers and Corners (both field cut) will be used to complete the pattern. Factory Drawings will reflect all fixture, corner, and end filler locations and will need to be approved before an order is entered.

Outside Corners:
Min. Length - 0"
Max. Length - 5-1/2"
Length is measured from fixture end to wall.

Mounting

- Individual Units: specify G_G, FLF, SFS, NFN
- Continuous Units: specify G_, FL, SF, NF
- All individual units cannot be joined, end trims are factory installed and cannot be removed
- Designed to install into acoustical grid and inaccessible ceilings
- Grid retention brackets integral to housing and require mechanical attachment
- Each housing contains 4 grid retention brackets
- Tie off fixture to structure with retention wires
- Approved for dry/damp location unless otherwise noted

G1G Individual Unit	G9G	GBG	GSG	FLF	NFN	SFS
G1 Continuous Run or Pattern	G9	GB	GS	FL	NF	SF
1" (15/16") T-Bar	9/16" T-Bar For tegular tile installations, fixture position will not be flush to the bottom of the tile	9/16" T-Bar Rail has bevel edge details. For tegular tile installations, fixture position will be flush to the bottom of the tile	Screw Slot & 9/16" T-Bar For 9/16" installations with tegular tile, fixture position will be flush to the bottom of the tile	Exposed Standard 1/2" Flange Detail	Metal Pan or Millwork	Drywall, Flangeless Detail
Standard Tile	Standard Tile	Tegular Tile	Tegular Tile			
Tegular Tile	Tegular Tile		Tegular Tile			

Specifications and dimensions subject to change without notice. Specification sheets that appear on pinnacle-llg.com are the most recent version and supersede all other previously printed or electronic versions.

Designed and Fabricated in Denver, CO • USA | pinnacle-llg.com | O: 303-322-5570 F: 303-322-5568
EV3WG_LED_SPEC_AUGUST2017





Voltage

- Some EV3WG configurations will not accommodate all voltage options; consult with factory

U	Universal
1	120 volt
2	277 volt
3	347 volt

Driver

- Standard Driver Option = OL1
- Driver Lifetime: 50,000 hours at 25°C ambient operating conditions
- For more driver options see Pinnacle Resource Guide
- Some EV3WG configurations will not accommodate all driver options; consult with factory

OL1	Osram Optronic 10%, 0-10v
OL2	Osram Optronic 1%, 0-10v, nominal 1% dimming range
OL3	Osram Optronic 347v 10%, 0-10v, requires 347v option
EE1	eldoLED ECOdrive 1%, 0-10v Logarithmic
EE3	eldoLED ECOdrive 1%, DALI Logarithmic
PL2	Philips Advance Xitanium 1%, 0-10v
PS1	Philips Advance Xitanium Step Dimming 50%/100%
LH1	Lutron Hi-lume Soft-on, Fade-to-black 1%, EcoSystem, LDE1
LH3	Lutron Hi-lume 1%, 3-wire, Lutron-L3DA3W
L51	Lutron 5-Series 5%, EcoSystem, LDE5
ND	Non-Dimming

How to specify Circuiting, Battery and Emergency

- Select fixture circuiting from options below
- Some EV3WG configurations will not accommodate all circuiting options, consult with factory

Circuiting

1	Single Circuit
M	Multi Circuit
E	Emergency Circuit only
N	Night Light Circuit only

- + 3
- Battery and emergency section options are available in addition to fixture circuit.
 - Select battery and emergency section options below; factory shop drawing required
 - Some EV3WG configurations will not accommodate all circuiting options, consult with factory

Battery and/or Emergency If Required

0	No battery or specific emergency section required
----------	---

Battery

- Select battery section type if required, indicate total QTY. *Example 2P*
- 90 minute battery runtime; test button is remote
- No battery option available for 2' lengths
- Entire fixture is on battery for lengths up to 5'
- Half of fixture is on battery for 6' or 8' housing lengths
- For more battery options available, see Pinnacle Resource Guide

0	No battery
_P	Philips Bodine 10w Integral
_I	Iota 10w Integral
_IC	Iota 10w Integral <i>CEC Listed</i>

For Approximate Battery Lumen Output

- Multiply battery wattage X fixture LPW shown on Lumen Table
- 92.3 (LPW) x 10 (watts) = 923 battery lumen output

Emergency

- Select emergency section type if required, indicate total QTY. *Example 1E*
- Combine battery and emergency section ordering codes if both options are selected

_E	Emergency circuit section
_N	Night Light circuit section
_L	Life Safety circuit section NO THROUGH WIRE
_G	Philips Bodine GTD, Generator Transfer Device section

Battery OR Emergency Ordering Examples

- Single circuit, 10w Integral Battery Ordering Code: 1-1P
- Emergency only, 10w Integral Battery Ordering Code: E-1P
- Single circuit, GTD required Ordering Code: 1-1G

Combination Section Ordering Examples

- Single circuit, (1) 10w battery, (1) emergency section Ordering Code: 1-1P1E
- Multi circuit, (2) 10w battery, (2) emergency sections Ordering Code: M-2P2E
- Single circuit, (1) night light section Ordering Code: 1-1N

Specifications and dimensions subject to change without notice. Specification sheets that appear on pinnacle-ltg.com are the most recent version and supersede all other previously printed or electronic versions.

Designed and Fabricated in Denver, CO • USA | pinnacle-ltg.com | O: 303-322-5570 F: 303-322-5568
EV3WG_LED_SPEC_AUGUST2017





Finish

- Standard powder-coat textured white, metallic silver, textured black, graphite or bronze painted finish; consult factory for chip of standard paint finishes
- Selecting a fixture finish other than white may impact lumen output; consult factory for more information

W	White
S	Metallic Silver
BL	Textured Black
GR	Graphite
BR	Bronze
CC	Custom Color

Fixture Options

- Additional options to enhance the fixture and finish of the product

CP	Chicago Plenum
EF	End Fillers, comes as pair adds upto 6" per end

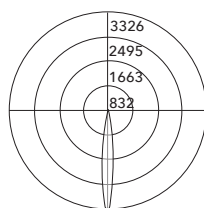
Controls

- Pinnacle is able to accommodate different control solutions from different manufacturers. Consult Factory for more information

Photometrics

Wall Grazer

Test #	ITL82935
Catalog #	EV3WG-840-4
Lumens	1296 lm
Watts	24.1 W
Efficacy	54 LPW



Candela Distribution

Vert Angle	Horizontal Angle				
	0	22.5	45	67.5	90
0	3320	3320	3320	3320	3320
5	2001	2489	3309	2795	2315
10	726	1339	3258	1496	686
15	233	617	3166	543	135
20	93	273	3012	164	28
25	51	134	2812	50	7
30	36	78	2582	17	2
35	27	53	2324	7	1
40	21	39	2046	4	0
45	16	31	1761	3	0
50	12	24	1465	3	0
55	7	19	1174	3	0
60	8	15	898	2	0
65	7	12	635	2	0
70	2	12	404	2	0
75	2	7	210	1	0
80	2	7	74	1	0
85	2	6	10	0	0
90	2	5	0	0	0

Luminance Data (cd/sq.m)

Angle In Degrees	Average 0-Deg	Average 45-Deg	Average 90-Deg
45	134	287	26856
55	60	190	21552
65	63	129	15227
75	19	85	7596
85	22	86	800

Applications & Certificates

Construction: Extruded aluminum trim with formed cold rolled 20 gauge steel back box housing.

Shielding: Extruded aluminum module for perfect wall grazer illumination.

Mounting: Evolution is designed to install into acoustical grid and inaccessible ceilings. Specify GXG, FLF, SFS, NFN for individual, unjoinable units (individual units will fall on-grid). Specify GX, FL, SF, NF for continuous runs (runs designed to fall on-grid). Grid retention brackets are integral to housing. Each housing contains 4 grid retention brackets. Consult factory for detailed installation instructions.

LED: 25°C test environment. Lumen output/wattage has a margin of +/- 5%. All luminaire configurations tested in accordance with IES LM-79. Diodes tested in accordance with IES LM-80. Minimum lifetime greater than 60,000 hours. Lifetime Projection L70 = 122,900 hours and L90 = 36,600 hours. MacAdam 3-Step Ellipses. Not all products are lighting facts listed. For all available IES files, please visit our website at pinnacle-ltg.com.

CRI, CCT & Lumen Output: Two lumen packages available. Standard and High (HO). Custom outputs are available. Specify custom lumens or watts between standard offering listed on CRI, CCT & Output page. 80 CRI is available for 3000K, 3500K, and 4000K. 90 CRI is available for 2700K, 3000K, 3500K, and 4000K. 80 CRI = R9≥19 and 90 CRI = R9≥61.

Voltage: Universal (U), 120 volt (1), 277 volt (2) and 347 volt (3) options available. Must specify OL3 in Driver section when 347 volt (3) is selected. Some Grazer configurations will not accommodate all voltage options; consult with factory.

Driver: Standard Driver Option is Osram 0-10V, 10% = OL1. Electronic driver, Power factor is >0.9 with a THD <20%. Driver Lifetime: 50,000 hours at 25°C ambient operating conditions. Ambient operating range: -20°F/-30°C to 96°F/35°C. For more driver options, see Pinnacle Resource Guide. Some Grazer configurations will not accommodate all driver options.

Circuiting: Select from single circuit (1), Multi circuit - For multiple circuiting and zone control, requires factory shop drawing (M), Emergency circuit (E) or Night Light circuit (N). Some Grazer configurations will not accommodate all circuiting options; consult with factory.

Battery & Emergency: Select battery or emergency options if required. If battery or emergency option is not required, enter 0. Battery duration is 90 minutes as standard. Test button is remote to fixture. For more Battery options, see Pinnacle Resource Guide.

Finish: Standard powder-coat textured white, metallic silver, textured black, graphite or bronze painted finish; consult factory for chip of standard paint finishes or for additional custom color and finish options.

Labels: UL and cUL Listed. Standard and HO lumen packages are IC Rated, approved for dry/damp location unless otherwise noted.

Buy American Act Compliant

Warranty: Evolution LED offered with a 5-year limited warranty. Covers LED, driver and fixture.

Specifications and dimensions subject to change without notice. Specification sheets that appear on pinnacle-ltg.com are the most recent version and supersede all other previously printed or electronic versions.

Designed and Fabricated in Denver, CO • USA | pinnacle-ltg.com | O: 303-322-5570 F: 303-322-5568

EV3WG_LED_SPEC_AUGUST2017

pg. 5



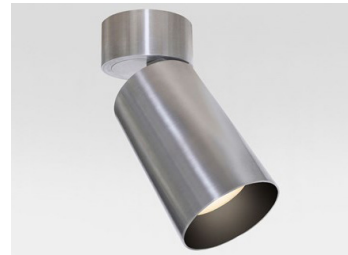
LUMINAIRE CUT SHEET
100% CD
10.16.2018

Wailuku Civic Hub
Maui, HI
Type: F4

CYLINDER CY2

CYLINDER LED LUMINAIRE ADJUSTABLE SURFACE MOUNT

Aimable 3.13" diameter 6.80" tall LED for ceiling or wall mount. Perfect for applications having no plenum recess depth. Toolless hot-aim up to 90° tilt and 357° rotation. Available in 80+, 90+, 97+ CRI & Warm Dim. Delivered lumen range of 548lm to 1488lm. Lucifer Lighting developed proprietary field-changeable optics available in 15°, 25°, 40° & 60° beams. Dry / Damp location only.

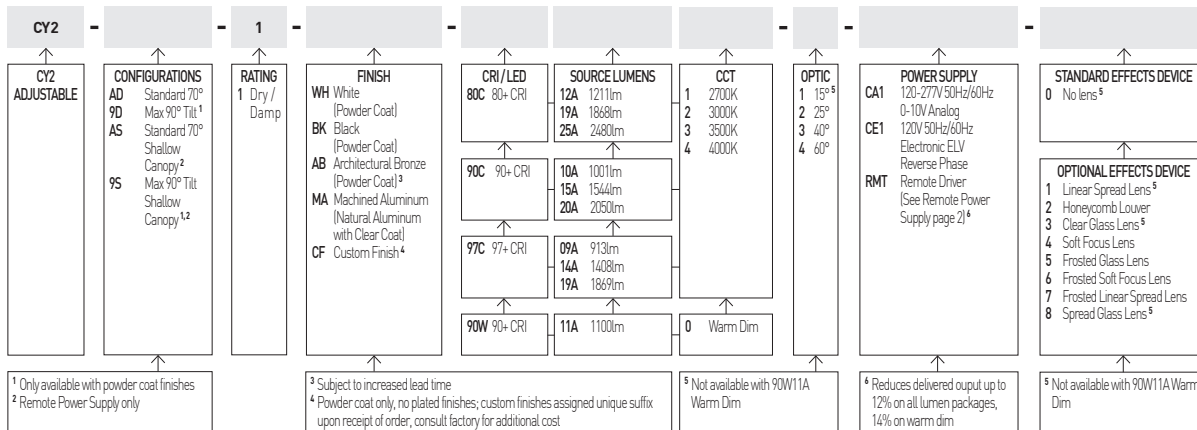


Designates Quick Ship product. Add "-QS" at end of model number to have up to 100 units shipped within 10 business days. Non-Quick Ship offerings have 3-4 week lead time.

PERFORMANCE

80+ CRI PERFORMANCE (40° OPTIC)				90+ CRI PERFORMANCE (40° OPTIC)				97+ CRI PERFORMANCE (40° OPTIC)				WARM DIM 90+ CRI PERFORMANCE (40° OPTIC)			
LED Configuration	Delivered Lumens lm	Power Consumption W	Luminous Efficacy lm/W	LED Configuration	Delivered Lumens lm	Power Consumption W	Luminous Efficacy lm/W	LED Configuration	Delivered Lumens lm	Power Consumption W	Luminous Efficacy lm/W	LED Configuration	Delivered Lumens lm	Power Consumption W	Luminous Efficacy lm/W
80C12A	727	10	73	90C10A	601	10	60	97C09A	548	10	55	90W11A	552	15	36
80C19A	1121	17	67	90C15A	926	17	55	97C14A	845	17	50				
80C25A	1488	24	62	90C20A	1230	24	52	97C19A	1121	24	47				

ORDERING INFORMATION - CYLINDER



MOUNTING OPTIONS - SELECT ONLY ONE (SEE PAGE 3 FOR MOUNTING PROVISION DETAILS)

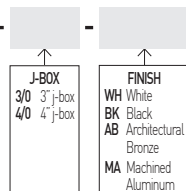
ROUGH-IN
 Concealed mounting plate

CY2/3 - JBMP

OR

FINISH-OUT
 3" or 4" junction box surface mount kit

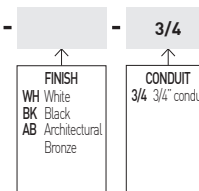
CY2/3 - SMK -



OR

FINISH-OUT
 Ceiling mount j-box for 3/4" EMT conduit (Dry / Damp location only)

CY2 - CMJB - 21 - 1T -



LUCIFER
 LIGHTING COMPANY
 [DATE OF REV: 011518]

luciferlighting.com

©2018 Lucifer Lighting Company
 As part of its policy of continuous research and product development, the company reserves the right to change or withdraw specifications without prior notice.

[PH] +1-210-227-7329 pg. 1
 [FAX] +1-210-227-4967



LUMINAIRE CUT SHEET
 100% CD
 10.16.2018

Wailuku Civic Hub
 Maui, HI
 Type: F5

CYLINDER CY2

ACCESSORIES

ALTERNATE EFFECTS DEVICES

- LSL-CY2-03** Linear Spread Lens ⁵
- HCL-CY2-03** Honeycomb Louver
- CGL-CY2-03** Clear Glass Lens ⁵
- SFL-CY2-03** Soft Focus Lens
- FGL-CY2-03** Frosted Glass Lens
- FSFL-CY2-03** Frosted Soft Focus Lens
- FLSL-CY2-03** Frosted Linear Spread Lens
- SGL-CY2-03** Spread Glass Lens ⁵

⁵ Not available for 90W11A Warm Dim

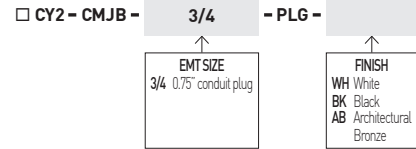
REPLACEMENT OPTICS

Interchangeable optics accessible by removing snoot.

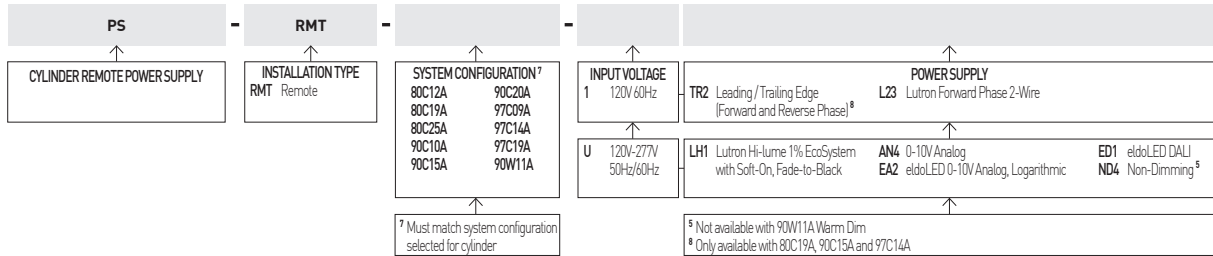
- RO-70-15-1** 15° optic ⁵
- RO-70-25-1** 25° optic
- RO-70-40-1** 40° optic
- RO-70-60-1** 60° optic

BLANK OFF PLUG

For use with ceiling mount j-box.



REMOTE POWER SUPPLY - REDUCES DELIVERED OUTPUT UP TO 12% ON ALL LUMEN PACKAGES, 14% ON WARM DIM



EMERGENCY LIGHTING - REMOTE MOUNT ONLY

- EMB-S-20/25-120/277-LEDX** 20/25 watt max capacity, 120 or 277 VAC 60Hz
- EMB-S-100-120-LEDX** 100 watt max capacity, 120 VAC 60Hz
- EMB-S-100-277-LEDX** 100 watt max capacity, 277 VAC 60Hz
- EMB-S-250-120/277-LEDX** 250 watt max capacity, 120 or 277 VAC 60Hz

During disruption of main power, emergency battery inverter provides temporary 120V or 277V to fixture.

TECHNICAL

CONSTRUCTION

Cylinder: Die-cast aluminum body; extruded aluminum internal heat-sink; painted finishes are granulated powder coat.

CY2-CMJB: Die-cast aluminum body; painted finishes are granulated powder coat.

Remote Power Supply: 22 Gauge galvanized steel.

LED

Proprietary Citizen 2 step MacAdam ellipse LED module available in 80+, 90+ and 97+ CRI configurations in color temperatures of 2700K, 3000K, 3500K and 4000K. Average rated lamp life: 50,000 hours. LED and driver assemblies are field-replaceable.

WARM DIM LED

Proprietary 2 step MacAdam ellipse warm dim LED module available in 90+ CRI configuration. 3000K at full brightness, warming to 2000K at full dim. Average rated lamp life: 50,000 hours. LED and driver assemblies are field-replaceable.

DIMMING PROTOCOL

0-10V Analog (CA1) and ELV (CE1) integral drivers dim to nominal 10%. PS-RMT remote reverse phase (TR2) dims to 10%; 0-10V analog (AN4) dims to 2%; Lutron (L23) dims to 1%; Lutron H Series (LH1) dims to 1% and features Soft-On, Fade-to-Black™; eldoLED (EA2 & ED1) dims to 0.1%.

MOUNTING

Cylinder is supplied with a mounting adaptor plate, which integrates with required additional mounting accessories specified separately according to field application conditions, providing a minimalist transition from standard 3/0, 4/0, or 4" square junction boxes and accommodating ceiling thicknesses of 0.44" (12mm) to 0.75" (19mm). Ceiling-mount junction box available for 3/4" (19mm) conduit and feature concealed internal clamps for clean fitting-free conduit exit and entry.

LISTING

cTUVus listed to UL1598 standard for Dry / Damp (IP14 rated) locations.

WARRANTY

Manufacturer's 1-year warranty guarantees product(s) listed to be free from defects in material and workmanship under normal use and service. 5-year warranty on LED and power supply to operate with 70% of the original flux and remain within a range of 3 duv. 10-year Lutron Advantage limited warranty available on Lutron equipped systems. Warranty period begins from the date of shipment by Seller and conditional upon the use of manufacturer-supplied power supply. Consult website for full warranty terms and conditions.

LUCIFER
LIGHTING COMPANY
[DATE OF REV: 011518]

luciferlighting.com

©2018 Lucifer Lighting Company
As part of its policy of continuous research and product development, the company reserves the right to change or withdraw specifications without prior notice.

[PH] +1-210-227-7329 pg. 2
[FAX] +1-210-227-4967



LUMINAIRE CUT SHEET
100% CD
10.16.2018

Wailuku Civic Hub
Maui, HI
Type: F5

CYLINDER CY2

CYLINDER

DIMENSIONS / DRAWINGS

A LUMINAIRE

Die-cast body with integral heat sink and LED.

B CANOPY / ADJUSTABILITY

Die-cast 1.60" (41mm) canopy accommodates flat and slope ceiling conditions. Conceals hidden twist-on mounting hardware. Features self-locking 357° rotation and 70° tilt standard; optional 90° tilt. Available with integral or remote driver.

C OPTICS

Proprietary field-changeable optics available in 15°, 25°, 40° & 60° beams.

D EFFECTS DEVICES

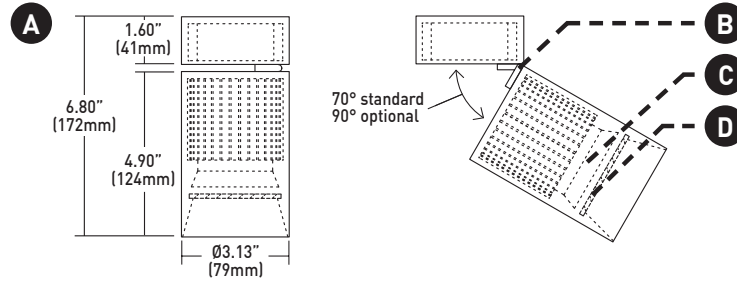
Threaded removable cowling provides virtually seamless joint with fixture body and accepts 1 lens; no lens standard.

E SHALLOW CANOPY

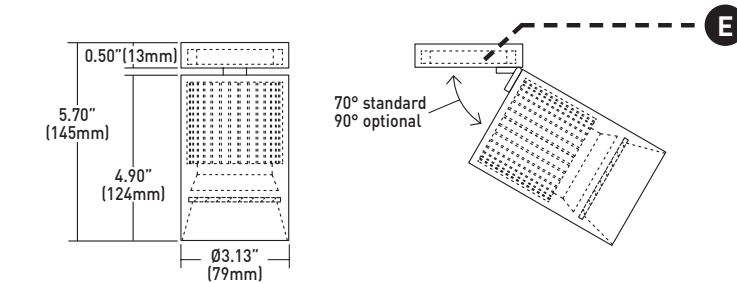
Shallow "AS" Canopy features 0.50" (13mm) tall canopy, reducing overall height (requires remote power supply).

F WALL-MOUNT

Cylinder may be wall mounted using any mounting option.



Cylinder weight - 2.00 lbs



Cylinder weight - 1.70 lbs

MOUNTING

G CY2/3-JBMP *

Mounting plate (concealed) for standard j-box. To be installed during rough-in prior to substrate. Fixture to mount flush with minimalist transition to ceiling.

H CY2/3-SMK-3/0-(finish) *

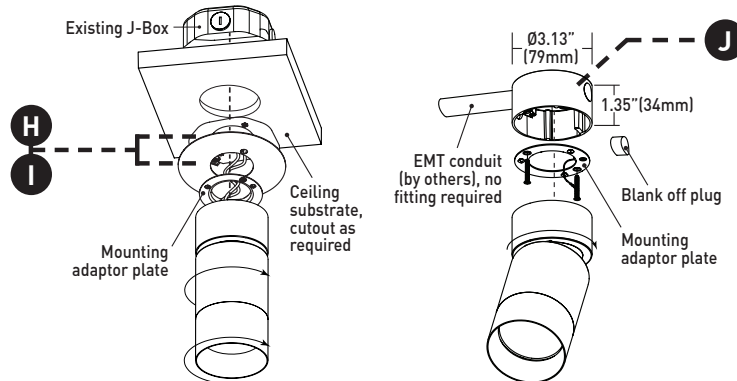
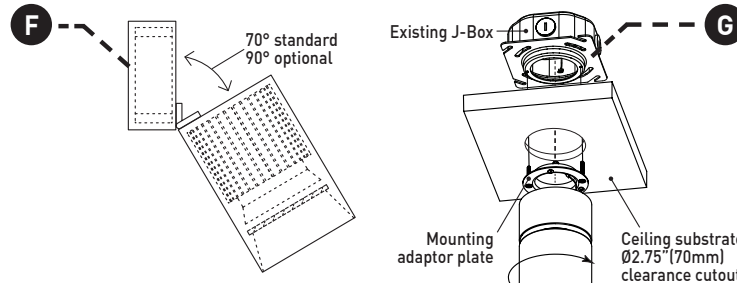
Surface mount kit includes mounting plate and 4" concealer plate that installs between fixture and standard 3" 3/0 j-box for existing applications where standard j-box cutout is to be concealed.

I CY2/3-SMK-4/0-(finish) *

Surface mount kit includes mounting plate and 5" concealer plate that installs between fixture and standard 4" 4/0 j-box for existing applications where standard j-box cutout is to be concealed.

J CY2-CMJB-2I-1T-(finish)-3/4

Ceiling mount junction box perfectly matches the cylinder profile for a continuous, integrated look where exposed ceiling mount junction box and conduit applications apply. For use with 3/4" EMT conduit only. Features two conduit entrances on either side and 1 conduit entrance on top of j-box. J-box is IP10 rated; painted finishes only. One blank off plug included; additional plugs may be ordered. Conforms to NYC code.



MOUNTING NOTES

* CY2/3-JBMP and CY2/3-SMK-3/0 & 4/0 not recommended for use with pancake style j-box.

LUCIFER
LIGHTING COMPANY
[DATE OF REV: 011518]

luciferlighting.com

©2018 Lucifer Lighting Company
As part of its policy of continuous research and product development, the company reserves the right to change or withdraw specifications without prior notice.

[PH] +1-210-227-7329 pg. 3
[FAX] +1-210-227-4967



LUMINAIRE CUT SHEET
100% CD
10.16.2018

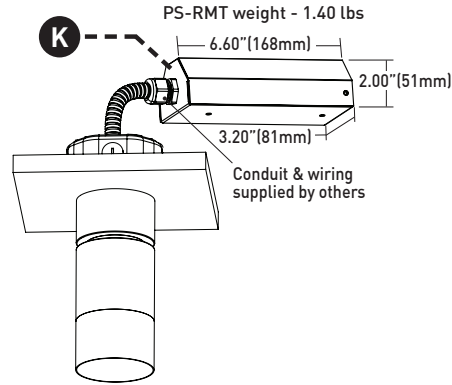
Wailuku Civic Hub
Maui, HI
Type: F5

CYLINDER CY2

REMOTE POWER SUPPLY

K PS-RMT

Remote power supply provides additional driver options, see page 2 for selections. Mounting device still required. Consult factory for maximum allowable secondary run lengths between PS-RMT and cylinder.



Cylinder weight - 1.70 lbs

DIMMING COMPATIBILITY

eldoLED DRIVER COMPATIBILITY

Power supply EA2 Dimmer / Switch Control Manufacturer	Family/Model #	Recommended Curve
Busch-Jaeger	2112U-101	Logarithmic
Jung	240-10	Logarithmic
Leviton Lighting Controls	IP710-DLX	Logarithmic
Lightolier Controls	ZP600FAM120	Logarithmic
Lutron Electronics	Nova T® - NTFTV	Linear
Lutron Electronics	Diva® - DDTV	Linear
Lutron Electronics	Nova® - NFTV	Linear
Merten	5729	Logarithmic
Pass & Seymour	CD4FB-W	Logarithmic
The Watt Stopper	DCLV1	Logarithmic
Sensor Switch	nIO EZ	Linear
Synergy	ISD BC	Logarithmic
Lighting Control Systems		
Lutron Electronics	GrafixEye® GRX-TVI w GRX3503	Linear
Lutron Electronics	Energy Savr Node™ - QSN-4T16-S	Linear
Lutron Electronics	TVM2 Module	Linear
Crestron®	GLX-DIMFLV8	Logarithmic
Crestron®	GLXP-DIMFLV8	Logarithmic
Crestron®	GLPAC-DIMFLV4-*	Logarithmic
Crestron®	GLPAC-DIMFLV8-*	Logarithmic
Crestron®	GLPP-DIMFLVEX-PM	Logarithmic
Crestron®	GLPP-1DIMFLV2EX-PM	Logarithmic
Crestron®	GLPP-1DIMFLV3EX-PM	Logarithmic
Crestron®	DIN-A08	Logarithmic
Crestron®	DIN-4DIMFLV4	Logarithmic
Crestron®	CLS-EXP-DIMFLV	Logarithmic
Crestron®	CLCI-1DIMFLV2EX	Logarithmic
ABB	SD/S 2.16.1	Logarithmic

LUTRON DRIVER COMPATIBILITY

Power supply L23 Product Family	Part No.	Fixtures Per Control (120V only)
Maestro WirelessR 600 W dimmer	MRF2-6ND-120-	1-8
Maestro WirelessR 1000 W dimmer	MRF2-10ND-120-	1-13
Caséta® Wireless Pro 1000 W dimmer	PD-10NXD-	1-13
GRAFIK T™ CL® dimmer	GT-250M-, GTJ-250M-	1-10
HomeWorks® QS adaptive dimmer	HQRD-6NA-	1-8
HomeWorks® QS 600 W dimmer	HQRD-6ND-	1-8
HomeWorks® QS 1000 W dimmer	HQRD-10ND-	1-13
RadioRA® 2 adaptive dimmer	RRD-6NA-	1-8
RadioRA® 2 1000 W dimmer	RRD-10ND	1-13
myRoom™ DIN power module	MQSE-4A1-D	1-6 (per output), 1A max driver input current
HomeWorks® QS DIN power module	LQSE-4A1-D	1-6 (per output), 1A max driver input current
HomeWorks® QS wallbox power module	HQRJ-WPM-6D-120	2-10 (per output), 26 total per module
HomeWorks® wallbox power module	HWI-WPM-6D-120	2-10 (per output), 26 total per module
GRAFIK Eye® QS control unit	QSGR-, QSGRJ-	2-10 (per output), 26 total per module
GRAFIK Eye® 3000 control unit	GRX-3100-, GRX-3500-	2-10 (per output), 26 total per module
RPM-4U module (LCP, HomeWorks® QS, GRAFIK Systems™, Quantum®)	HW-RPM-4U-120, LP-RPM-4U-120	2-26 (per output), 26 total per module
RPM-4A module (LCP, HomeWorks® QS, GRAFIK Systems™, Quantum®)	HW-RPM-4A-120, LP-RPM-4A-120	1-13 (per output), 26 total per module
GP dimming panels	Various	1-26
Ariadni CL 250W dimmer	AYCL-253P-	1-8
Diva CL 250W dimmer	DVCL-253P-DCSCCL-253P-	1-8
Nova T CL 250W dimmer	NTCL-250-	1-10

LUCIFER
LIGHTING COMPANY
[DATE OF REV: 011518]

luciferlighting.com

©2018 Lucifer Lighting Company
As part of its policy of continuous research and product development, the company reserves the right to change or withdraw specifications without prior notice.

[PH] +1-210-227-7329 pg. 4
[FAX] +1-210-227-4967



LUMINAIRE CUT SHEET
100% CD
10.16.2018

Wailuku Civic Hub
Maui, HI
Type: F5

BeveLED BLOCK[®] Downlight — BLRD5

BEVELED BLOCK[®] DOWNLIGHT



usailighting.com/block

BEVELED BLOCK[®] DOWNLIGHT - CONDUIT CUT OUT



Keep ceiling height right where it is! Specifically designed to work with surface-mounted conduit and junction boxes, BeveLED BLOCK has a modern look that's perfect for lofts, offices, and open architectural spaces. Also available with solid-sides styling shown above, Block also creates a finished look when recessed conduit is possible.

FEATURES

- High performance architectural lighting solution for industrial or exposed concrete ceiling types where recessed lighting is not an option
- Convenient conduit cutouts provide access for surface-mounted conduit to pass through the luminaire
- Smooth, modular solid and keyhole slots are interchangeable and user configurable to allow for simple on site customization in the field.
- BeveLED BLOCK is available in a range of standard and custom colors to complement your project, whether an industrial or refined look is desired.
- Industry leading illumination and craftsmanship

BEVELED BLOCK DOWNLIGHT PERFORMANCE DATA

LED COLOR CHOICES

DELIVERED* PERFORMANCE:	Classic White								Warm Glow Dimming	
	9W		12W		16W		24W		16W	
Color Rendering Index	80+ CRI	90+ CRI	80+ CRI	90+ CRI	80+ CRI	90+ CRI	80+ CRI	90+ CRI	80+ CRI	90+ CRI
Source Lumens:	1150	900	1300	1025	1725	1350	2400	1875	1275	1025
Lumens Per Watt:	93	68	86	67	86	67	80	63	69	55
Delivered Lumens:	775	600	1025	800	1375	1075	1925	1500	1100	875

*Performance data based on 3000K, 80+ CRI

CORRELATED COLOR TEMPERATURE	Classic White					Warm Glow Dimming		
	2200K	2700K	3000K	3500K	4000K	2700K	3000K	3500K
Color Rendering Index:	80+	80+ 90+	80+ 90+	80+	80+	80+ 90+	80+ 90+	80+
Multiplier for Lumen Output: 0.72		0.94 0.78	1.00 0.78	1.00	1.06	0.94 0.79	1.00 0.81	1.00

Page 1

usailighting.com
info@usailighting.com

T 845-565-8500
F 845-561-1130

1126 River Road
New Windsor, NY 12553

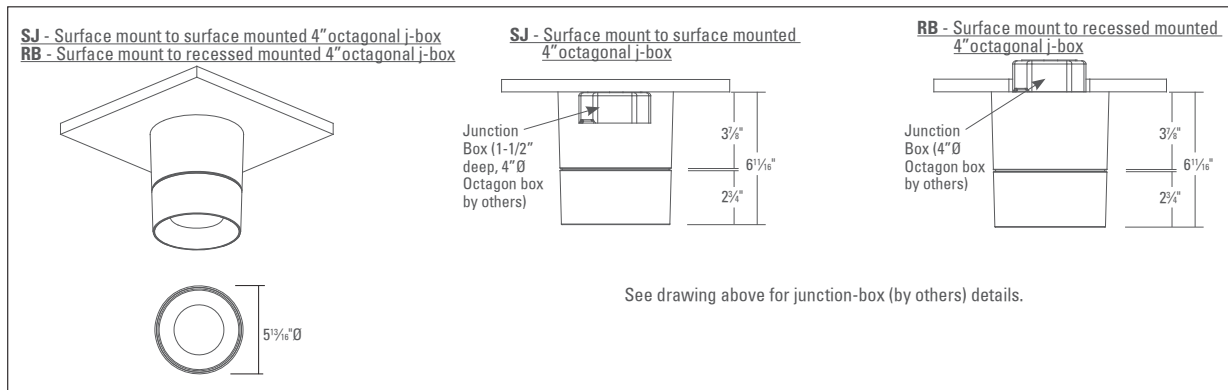
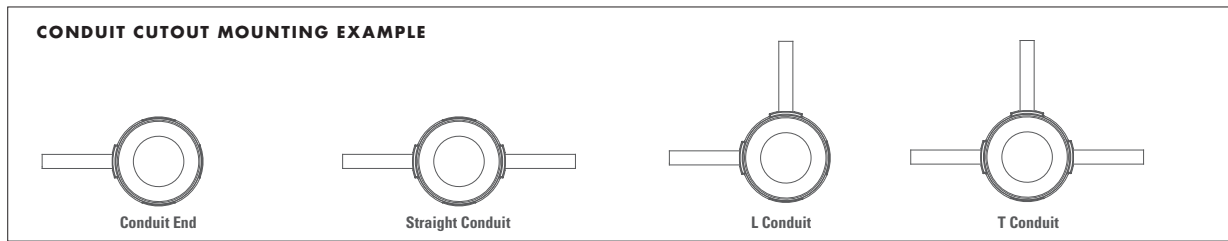
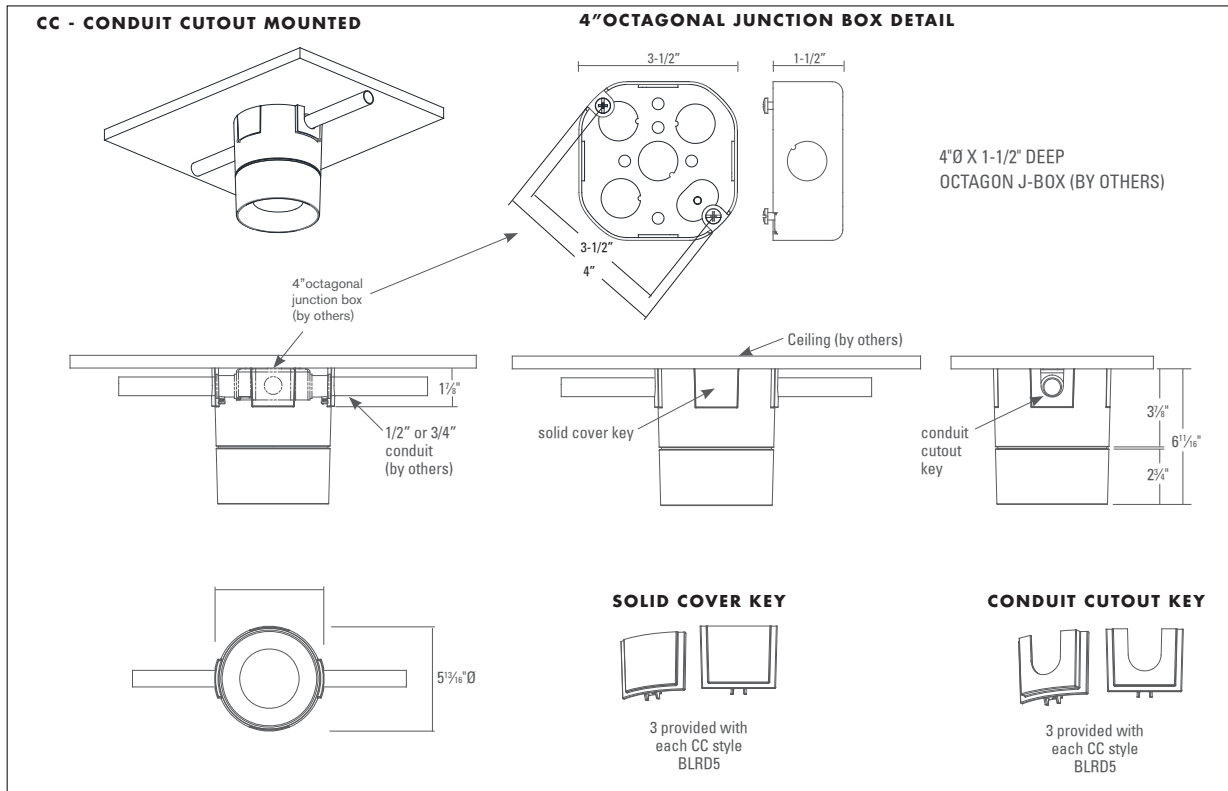
© 2017, USAI, LLC. All rights reserved.
All designs protected by copyright.
Covered by US Patents: 8,581,520, and 8,456,109.
Patents pending: USAI, BeveLED BLOCK and Warm Glow Dimming
are registered trademarks of USAI, LLC. Revised 12/18/2017



LUMINAIRE CUT SHEET
100% CD
10.16.2018

Wailuku Civic Hub
Maui, HI
Type: F6

BeveLED BLOCK® Downlight — BLRD5



LUMINAIRE CUT SHEET
100% CD
10.16.2018

Wailuku Civic Hub
Maui, HI
Type: F6

BeveLED BLOCK® Downlight — BLRD5

FAMILY	LED COLOR CHOICES			FIXTURE					
BLRD5	Wattage Options	LED Color Temperature Options	Beam Options	Lens Options	Body Finish Options	Mounting Options	Voltage Options	Dimming Driver Options	
BLRD5 BeveLED BLOCK 5" Round Downlight	Classic White			25 25° beam 50 50° beam 90 90° beam	S Solite (provided standard) BF Borosilicate Frosted	WH White BZ Statuary Bronze BL Black GR Metalized Grey SC Conduit Silver RAL Custom Color (specify RAL #)	CC Conduit cutout for surface mounted 4" octagonal junction box RB Surface mounted to recessed mounted 4" octagonal junction box SJ Surface mounted to surface mounted 4" octagonal junction box	UNV 120V-277V	<i>For use with Universal Voltage 120V - 277V</i> D2 0-10V dim, 10% (provided standard) D4 Lutron Hi-Lume 1% 3-wire/ECO (2) D4E Lutron 5 ECO, 5% (1, 2) D4H Lutron H ECO, 1% Fade (1, 2) D6A EldoLED 0-10V, 0.1%, logarithmic/Lutron controls (2) D6B EldoLED 0-10V, 0.1%, linear controls (2) D6E EldoLED 0-10V, 1%, logarithmic/Lutron controls (2) D6F EldoLED 0-10V, 1%, linear controls (2) D7 EldoLED DALI, 0.1% (2)
	Warm Glow Dimming								30 30° beam 50 50° beam 90 90° beam

1 Not available with 9W
 2 For use with RB mounting only
 3 Not available for Warm Glow

BEVELED BLOCK SPECIFICATIONS

FIELD REPLACEABLE LED LIGHT ENGINE

is serviceable without tools. All USAI Lighting Classic White and Warm Glow Dimming light engines feature industry-leading color consistency

FIELD REPLACEABLE DRIVER

0-10V, 100%-10% solid state electronic constant current D2 dimming driver with a high power factor provided standard and sources 2mA. Other dimming drivers optionally available. D6 and D15 dimming drivers source 2mA. Driver complies with IEEE C62.41 surge protection. Some on-time delay may be experienced depending on control system used.

FIXTURE WEIGHT

BeveLED Block weighs 5 lbs

BODY

5-13/16" round die cast aluminum body available in a variety of powder coated paint finishes. Custom colors also available (provide RAL #).

MOUNTING

CC: Conduit cutout mounting fixtures are designed to mount to surface-mounted 4" octagonal junction boxes with surface-mounted conduit connections. CC housings have 4 keyslots, one in each side, and ship with one conduit cutout key and three solid cover keys installed in the housing. 2 additional conduit cutout keys are shipped with the fixture, and the different key types are interchangeable in the field. Please see installation instructions for drawings and more details.

RB: Recessed ceiling 4" octagonal junction box mounting fixtures are designed to mount to a ceiling retaining a recessed 4" octagonal junction box. The sides are solid and have no cutouts, please see drawings and installation instructions for more details.

SJ: Surface mounted 4" octagonal junction box mounting fixtures are designed to mount to a surface-mounted junction box that has electrical supply coming from the plenum (no surface-mounted conduit). The sides are solid and have no cutouts, please see drawings and installation instructions for more details

WARRANTY

Based on IESNA LM80-2008, BeveLED Block has a 50,000 hour rated life at 70% lumen maintenance (L70). USAI Lighting Warranty covers replacement parts for 5 years from date of shipment.

LISTINGS

Dry/Damp/Wet for RB and SJ mounting. CC mounting style is dry/damp only. NRTL/CSA-US tested to UL standards. IBEW union made.



NOTES

- Ambient temperatures at fixture location should not exceed 40°C during normal operation.
- Consult factory for video capture applications.
- For interior use only.

PHOTOMETRICS

Consult factory or website for IES files. Tested in accordance with IESNA LM79. www.usalighting.com/block



LUMINAIRE CUT SHEET
 100% CD
 10.16.2018

Wailuku Civic Hub
 Maui, HI
 Type: F6

DIMMING DRIVER COMPATIBILITY SELECTION GUIDE

D6A / DIML6A and D6E / DIML6E D6B / DIML6B and D6F / DIML6F

IMPORTANT SAFETY INSTRUCTIONS - SAVE THESE INSTRUCTIONS

1. Keep these instructions in a safe place for future reference.
2. Only qualified electricians in accordance to local codes should install these fixtures.
3. De-energize the electrical circuit at the circuit breaker prior to installation process or servicing.
4. Make sure all connections are in accordance with the National Electrical Code and any local regulations.
5. Cap any wires not used separately (not together).

D6A / DIML6A and D6E / DIML6E LED Dimming Compatibility Table

D6A / DIML6A and D6E / DIML6E are linearly programmed dimming drivers for use with logarithmic-style dimming controls (e.g., Lutron and others listed in the table below)
 D6A / DIML6A = EldoLED SOLOdrive 0-10V control dims from 100% to 0.1%
 D6E / DIML6E = EldoLED ECOdrive 0-10V control dims from 100% to 1%

D6A / DIML6A and D6E / DIML6E Dimmer Compatibility Chart					
Manufacturer	Product	Part Number	Dimmed Light Output Range		Qty Fixtures Per Dimmer*
			DIML6A	6E	
120V & 277V					
Lutron	Diva	DVTV/NFTV with PP-20	99% - 0.1%	1%	Refer to manufacturer's dimmer load rating for maximum and minimum fixture quantities per dimmer.
Lutron	Nova T	NFTV with PP-20	99% - 0.1%	1%	
Lutron	Energi Savr Node	QSN-4T16-S	100% - 0.1%	1%	
Lutron	GP Dimming Panels	TVM2 Module	99% - 0.1%	1%	
Lutron	Interfaces	GRX-TVI w/ GRX3503	100% - 0.1%	1%	
Sensor Switch	nIO	nIO EZ	100% - 0.1%	1%	Enlighted compatible.
enlighted	Control Unit	CU-3E-1R	100% - 0.1%	1%	

* NOTE: Refer to dimmer manufacturer's documentation for installation instructions and circuit details.

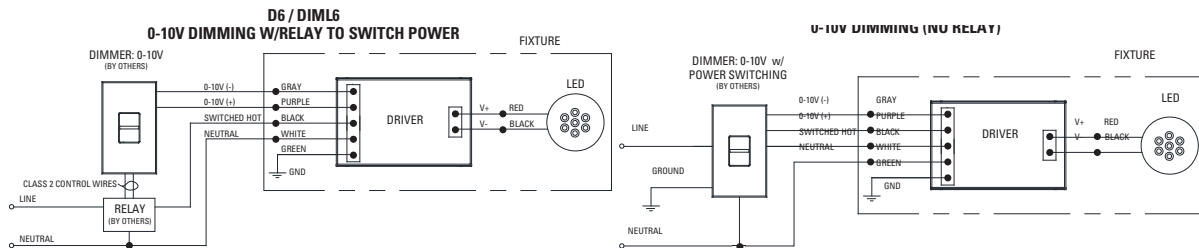
D6B / DIML6B and D6F / DIML6F LED Dimming Compatibility Table

D6B / DIML6B and D6F / DIML6F are logarithmic-programmed dimming drivers for use with linear-style dimming controls (e.g., Crestron, non-Lutron and others listed below)
 D6B / DIML6B = EldoLED SOLOdrive 0-10V control dims from 100% to 0.1% D6F / DIML6F = EldoLED ECOdrive 0-10V control dims from 100% to 1%

D6B / DIML6B and D6F / DIML6F Dimmer Compatibility Chart					
Manufacturer	Product	Part Number	Dimmed Light Output Range		Qty Fixtures Per Dimmer*
			DIML6B	6F	
120V & 277V					
Bush-Jaeger	Electronic potentiometer	2112U-101	100% - 0.1%	1%	Refer to manufacturer's dimmer load rating for maximum and minimum fixture quantities per dimmer. Enlighted compatible.
Jung	Electronic potentiometer	240-10	100% - 0.1%	1%	
Leviton	Iluma Tech dimmer	IP710-DIX	100% - 0.1%	1%	
Lightolier (Philips)	Momentum (120V ONLY)	ZP600FAM120	100% - 0.1%	1%	
Merten	Electronic potentiometer	5729	100% - 0.1%	1%	
Pass & Seymour	Titan	CD4FB-W	100% - 0.1%	1%	
Watt Stopper	Miro	DCLV1	100% - 0.1%	1%	
Synergy	Wallbox Dimmers	ISD BC	100% - 0.1%	1%	
ABB	i-bus	SD/S 2.16.1	100% - 0.1%	1%	
Crestron	Modules	GLX-DIMFLV8, GLXP-DIMFLV8	100% - 0.1%	1%	
Crestron	Green Light	GLPAC-DIMFLV4, GLPAC-DIMFLV8	100% - 0.1%	1%	
Crestron	Green Light Power Pack	GLPP-DIMFLVEX-PM, GLPP-1DIMFLV2EX-PM, GLPP-1DIMFLV3EX-PM	100% - 0.1%	1%	
Crestron	DIN Rail Analog Output Module	DIN-A08	100% - 0.1%	1%	
Crestron	DIN Rail 0-10V Fluorescent Dimmer	DIN-4DIMFLV4	100% - 0.1%	1%	
Crestron	iLux 0-10V Dimmer Expansion Module	CLS-EXP-DIMFLV	100% - 0.1%	1%	
enlighted	Control Unit	CU-3E-1R	100% - 0.1%	1%	

DIMMING DRIVER WIRING SCHEMES:

NOTES: Wiring diagrams are examples of typical installations intended to illustrate the number of wires that must be run to fixture. These diagrams are not intended to specify all equipment necessary for a given dimming circuit. Refer to specific dimmer manufacturer's documentation for details.



BeveLED BLOCK® — BLRD5 Pendant



DOWNLIGHT PENDANT - RECESSED JBOX CANOPY



DOWNLIGHT PENDANT - CONDUIT CUTOUT CANOPY



usailighting.com/block

Keep ceiling height right where it is! Specifically designed to work with surface-mounted conduit and junction boxes, BeveLED BLOCK has a modern look that's perfect for lofts, offices, and open architectural spaces. Also available for traditional ceilings as shown above, Block creates a finished look when recessed junction boxes are available.

FEATURES

- High performance architectural lighting solution for industrial or exposed concrete ceiling types where recessed lighting is not an option
- Convenient conduit cutouts provide access for surface-mounted conduit to pass through the canopy
- Smooth, modular solid and keyhole slots are interchangeable and user configurable to allow for simple on site customization in the field.
- BeveLED BLOCK is available in a range of standard and custom colors to complement your project, whether an industrial or refined look is desired.
- Rigid pendant stem with 30° hang straight and cable mount options are available for both canopy styles
- Industry leading illumination and craftsmanship

BEVELED BLOCK DOWNLIGHT PENDANT PERFORMANCE DATA

LED COLOR CHOICES

DELIVERED* PERFORMANCE:	Classic White								Warm Glow Dimming	
	9W		12W		16W		24W		16W	
Color Rendering Index	80+ CRI	90+ CRI	80+ CRI	90+ CRI	80+ CRI	90+ CRI	80+ CRI	90+ CRI	80+ CRI	90+ CRI
Source Lumens:	1150	900	1300	1025	1725	1350	2400	1875	1275	1025
Lumens Per Watt:	93	68	86	67	86	67	80	63	69	55
Delivered Lumens:	775	600	1025	800	1375	1075	1925	1500	1100	875

*Performance data based on 3000K, 80+ CRI

CORRELATED COLOR TEMPERATURE	Classic White					Warm Glow Dimming		
	2200K	2700K	3000K	3500K	4000K	2700K	3000K	3500K
Color Rendering Index:	80+	80+ 90+	80+ 90+	80+	80+	80+ 90+	80+ 90+	80+
Multiplier for Lumen Output:	0.72	0.94 0.78	1.00 0.78	1.00	1.06	0.94 0.79	1.00 0.81	1.00

Page 1

usailighting.com T 845-565-8500 1126 River Road
info@usailighting.com F 845-561-1130 New Windsor, NY 12553

© 2016, USAI, LLC. All rights reserved.
All designs protected by copyright.
Covered by US Patents: 8,581,520, and 8,456,109.
Patents pending. USAI, BeveLED BLOCK are registered trademarks of USAI, LLC. Revised 12/13/2017



LUMINAIRE CUT SHEET
100% CD
10.16.2018

Wailuku Civic Hub
Maui, HI
Type: F6A

Note: This Fixture Cut Is For Information Only. Refer To Specs For All Catalogue Numbers, Lamps, Finishes, Accessories, Etc

BeveLED BLOCK® — BLRD5 Pendant



1. Specify fixture part number. All boxes must be filled in to correctly order.

FAMILY	LED COLOR CHOICES			FIXTURE					
BLRD5									
BeveLED Block Downlight	Wattage Options	LED Color Temperature Options	Beam Options	Lens Options	Finish Options	Mounting Options	Voltage Options	Dimming Driver Options	
BLRD5 BeveLED BLOCK 5" Round Downlight	Classic White 09C3 9W LED 22KS 2200K, 80+ CRI 12C3 12W LED 27KS 2700K, 80+ CRI 16C3 16W LED 27KH 2700K, 90+ CRI 24C3 24W LED 30KS 3000K, 80+ CRI 30KH 3000K, 90+ CRI 35KS 3500K, 80+ CRI 40KS 4000K, 80+ CRI			25 25° beam 50 50° beam 90 90° beam	S Solite (provided standard) BF Borosilicate Frosted	WH White SC Conduit Silver GR Metalized Grey BL Black BZ Statuary Bronze RAL Custom Color (specify RAL #)	Rigid Stem Mount + Conduit Cutout Canopy Style PJ1 6"-24" length* PJ2 25"-48" length* PJ3 49"-95" length*	UNV 120V-277V	<i>For use with Universal Voltage 120V - 277V</i> D4 Lutron Hi-Lume 1% 3-wire/ECO (2) D4E Lutron 5 ECO, 5% (1) D4H Lutron H ECO, 1% Fade (1) D6A EldoLED 0-10V, 0.1%, logarithmic/Lutron controls D6B EldoLED 0-10V, 0.1%, linear controls D6E EldoLED 0-10V, 1%, logarithmic/Lutron controls provided standard) D6F EldoLED 0-10V, 1%, linear controls D7 EldoLED DALI, 0.1%
	Warm Glow Dimming 16WG2 16W LED 2722KS - 2700K-2200K, 80+ CRI 2722KH - 2700K-2200K, 90+ CRI 3022KS - 3000K-2200K, 80+ CRI 3022KH - 3000K-2200K, 90+ CRI 3522KS - 3500K-2200K, 80+ CRI								
			Cable Mount + Recessed JBox Canopy Style (field cuttable) CR1 24" length CR2 48" length CR3 96" length			<i>1 Not available with 9W 2 Not available with Cable Mount 3 Not available for Warm Glow</i>			

2. Specify pendant stem accessory.

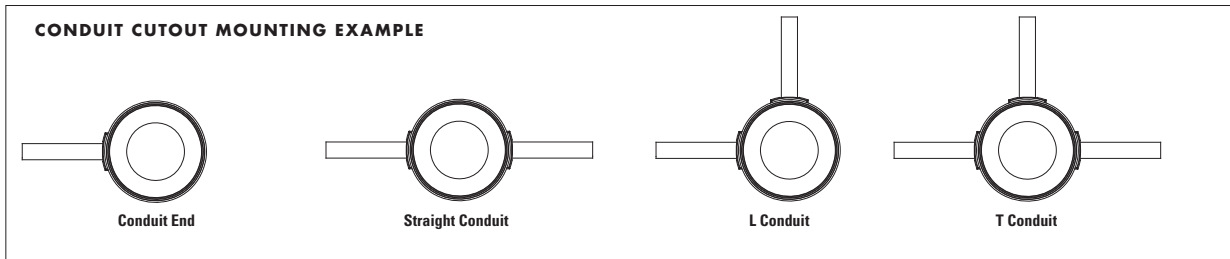
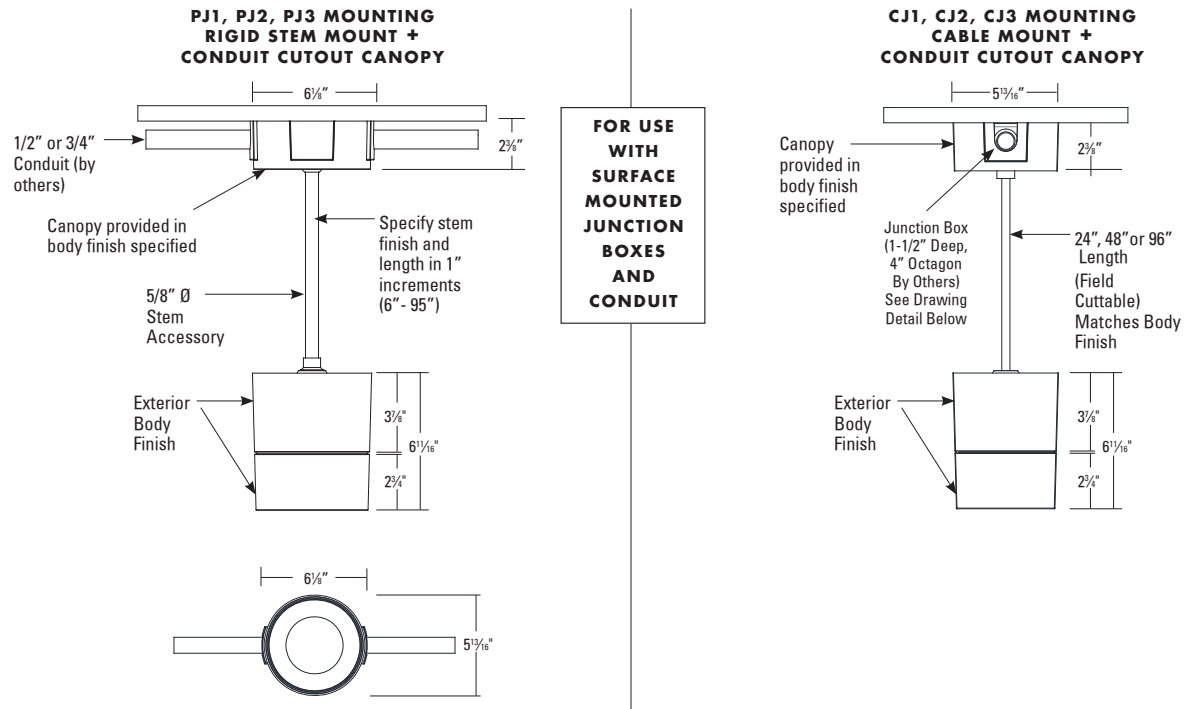
RIGID PENDANT STEM ACCESSORY - OPTIONAL (not needed for cable mount)

PMB			
Pendant Stem	Stem Type	Length	Stem Finish
PMB Rigid Pendant Stem 5/8" Ø with 30° hang straight feature	P1 6" - 24" Stem Lengths	XX Specify Stem Length from 6" - 24" in 1" Increments	WH White SC Conduit Silver GR Metalized Grey BL Black BZ Statuary Bronze RAL Custom Color (specify RAL #)
	P2 25" - 48" Stem Lengths	XX Specify Stem Length from 25" - 48" in 1" Increments	
	P3 49" - 95" Stem Lengths	XX Specify Stem Length from 49" - 95" in 1" Increments	

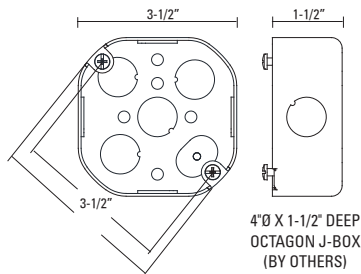
NOTE:
Specify pendant stem for "P" Rigid stem mounting options.
Stem accessory not required for cable mount.



BeveLED BLOCK[®] — BLRD5 Pendant

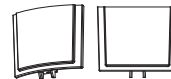


4" OCTAGONAL JUNCTION BOX DETAIL



KEY COVER DETAIL

SOLID COVER KEY



3 provided with each Conduit Cutout Canopy

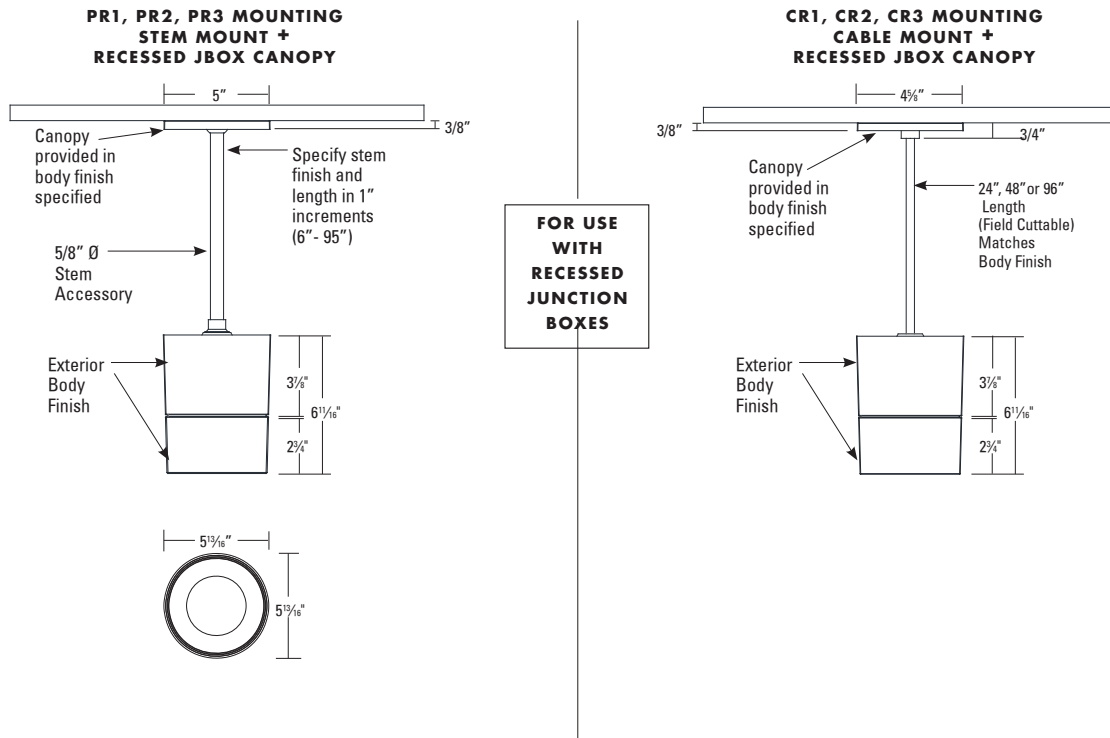
CONDUIT CUTOUT KEY



3 provided with each Conduit Cutout Canopy



BeveLED BLOCK[®] — BLRD5 Pendant



BEVELED BLOCK SPECIFICATIONS

FIELD REPLACEABLE LED LIGHT ENGINE
is serviceable without tools. All USAI Lighting Classic White and Warm Glow Dimming light engines feature industry-leading color consistency

FIELD REPLACEABLE DRIVER
0-10V, 100%-1% solid state electronic constant current D6E dimming driver with a high power factor provided standard and sources 2mA. Other dimming drivers optionally available. D6 and D15 dimming drivers source 2mA. Driver complies with IEEE C62.41 surge protection. Some on-time delay may be experienced depending on control system used.

FIXTURE WEIGHT
BeveLED Block weighs 5 lbs (not including stem accessory).

BODY
5-13/16" Ø round die cast aluminum body available in a variety of powder coated paint finishes. Custom colors also available (provide RAL #).

MOUNTING
RIGID PENDANT STEM MOUNT: 5/8"Ø (3/8"IPS) steel stem is provided cut to length specified with 30° hang straight. Specify stem finish and length (in 1" increment) in accessories table when ordering; stem is not field cuttable.

CABLE MOUNT: 7/16" diameter braided cable is provided in one of three lengths specified (24", 48", or 96") and is easily field cuttable to length desired. Cable is provided in matching finish per fixture body finish specification. D4 dimming option is not available with cable mount.

CONDUIT CUTOOT CANOPY: If "J" canopy is specified, 5-13/16" Ø round x 2-3/8" deep canopy is provided for mounting to standard 4" octagonal surface mounted junction box. Conduit cutout canopy has 4 keyslots, one in each side, and ships with three conduit cutout keys and three solid cover keys which are field interchangeable and can be configured to accommodate any ceiling layout using 1/2" or 3/4" conduit. Conduit cutout canopy is provided in matching finish per fixture body finish specification.

RECESSED JBOX CANOPY: If "R" canopy is specified, 5" Ø or 4-5/8" Ø round x 3/8" deep canopy is provided for mounting to recessed mounted junction box. Recessed jbox canopy is provided in matching finish per fixture body finish specification.

WARRANTY
Based on IESNA LM80-2008, BeveLED Block has a 50,000 hour rated life at 70% lumen maintenance (L70). USAI Lighting Warranty covers replacement parts for 5 years from date of shipment.

LISTINGS
Dry/damp. "PR" mounting options are dry/damp/wet listed. . NRTL/CSA-US tested to UL standards. IBEW union made.



NOTES

- Ambient temperatures at fixture location should not exceed 40°C during normal operation.
- Consult factory for video capture applications
- For interior use only

PHOTOMETRICS
Consult factory or website for IES files. Tested in accordance with IESNA LM79. www.usailighting.com/block



DIMMING DRIVER WIRING SCHEMES:

NOTES:

Wiring diagrams are examples of typical installations intended to illustrate the number of wires that must be run to fixture. These diagrams are not intended to specify all equipment necessary for a given dimming circuit. Refer to specific dimmer manufacturer's documentation for details.

IMPORTANT SAFETY INSTRUCTIONS

- SAVE THESE INSTRUCTIONS

1. Keep these instructions in a safe place for future reference.
2. Only qualified electricians in accordance to local codes should install these fixtures.
3. De-energize the electrical circuit at the circuit breaker prior to installation process or servicing.
4. Make sure all connections are in accordance with the National Electrical Code and any local regulations.
5. Cap any wires not used separately (not together).

D4E / DIML4E LED: Lutron 5 Series EcoSystem LED Driver / LED Dimming Driver Wiring (Dims down to 5%)

D4E / DIML4E EcoSystem Dimmer Compatibility Chart					
Manufacturer	Product	Part Number	Dimmed Light Output Range	Qty Fixtures Per Control*	
				Fixture Wattage	
120V / 277V					
Lutron	PowPak dimming module	RMJ-ECO32-DV-B	100%-5%	1-32	1-16
Lutron	Energi Savr Node	QSN-1ECO-S, QSN-2ECO-S	100%-5%	1-64	1-32
Lutron	GRAFIK Eye QS (120V ONLY)	QSGRJ- E, QSGR- E	100%-5%	1-64	1-32
Lutron	Quantum	Various	100%-5%	1-64	1-32

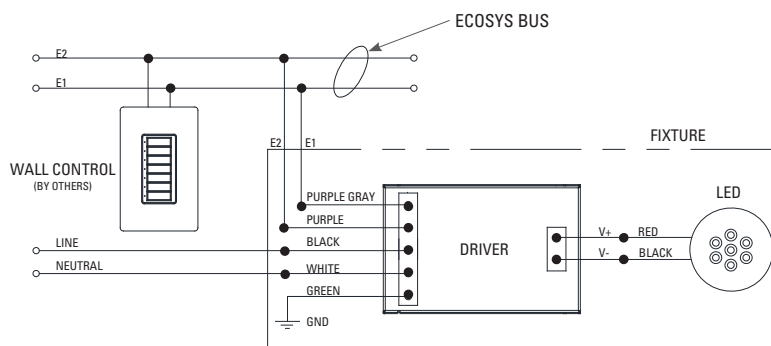
* NOTE: Number of fixtures may be higher if wattage is less than maximum values shown. Refer to dimmer manufacturer's documentation for installation instructions and circuit details.

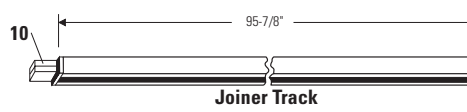
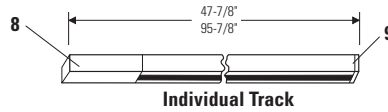
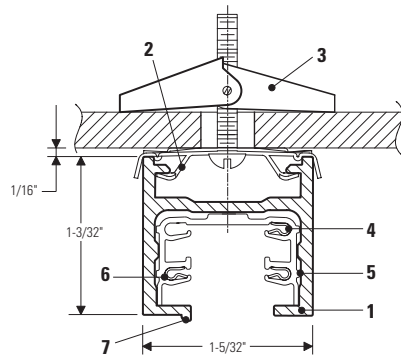
D4H / DIML4H LED: Lutron H Series EcoSystem LED Driver with Fade to Black (dims down to 1%)

D4H / DIML4H EcoSystem Dimmer Compatibility Chart					
Manufacturer	Product	Part Number	Dimmed Light Output Range	Qty Fixtures Per Control*	
				Fixture Wattage	
120V / 277V					
Lutron	PowPak dimming module	RMJ-ECO32-DV-B	100%-1%	1-32	1-16
Lutron	Energi Savr Node	QSN-1ECO-S, QSN-2ECO-S	100%-1%	1-64	1-32
Lutron	GRAFIK Eye QS (120V ONLY)	QSGRJ- E, QSGR- E	100%-1%	1-64	1-32
Lutron	Quantum	Various	100%-1%	1-64	1-32

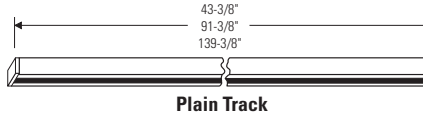
* NOTE: Number of fixtures may be higher if wattage is less than maximum values shown. Refer to dimmer manufacturer's documentation for installation instructions and circuit details.

**D4E / DIML4E and D4H / DIML 4H
EcoSystem CONTROLS**





6060NAL	6101NBK	6108NAL	6148NBK	6151NBK	7480
6060WH	6102NAL	6108NWH	6148NWH	6152NAL	7480AL
6060BK	6102NWH	6108NBK	6149NAL	6152NWH	7481
6061NAL	6102NBK	6112NAL	6149NWH	6152NBK	7582
6061WH	6103NAL	6112NWH	6149NBK	6153NAL	7582AL
6061BK	6103NWH	6112NBK	6150NAL	6153NWH	7584
6096WH	6103NBK	6146NAL	6150NWH	6153NBK	7584AL
6096BK	6104NAL	6146NWH	6150NBK	6154NAL	7681AL
6101NAL	6104NWH	6146NBK	6151NAL	6154NWH	7681
6101NWH	6104NBK	6148NAL	6151NWH	6154NAL	7683



Finishes	Individual Track		Joiner Track	Plain Track		
	4' Catalog No.	8' Catalog No.	8' Catalog No.	4' Catalog No.	8' Catalog No.	12' Catalog No.
Matte White	6101NWH	6102NWH	6103NWH	6104NWH	6108NWH	6112NWH
Matte Black	6101NBK	6102NBK	6103NBK	6104NBK	6108NBK	6112NBK
Aluminum	6101NAL	6102NAL	6103NAL	6104NAL	6108NAL	6112NAL

Features

- Advent Lytespan Track:** 6063-T5 Aluminum 0.070" wall thickness.
- Track Mounting Clips:** 0.024 Spring steel, in black or white; order separately.
- Toggle Bolt & Screws:** furnished with track units.
- Conductor (3):** 20A current carrying capacity.
- Insulating Liner:** 0.040" wall, thermoplastic.
- Neutral Conductor:** on bead side of track.
- Polarity Bead:** identifies the neutral conductor.
- Live End:** molded thermoplastic. Includes contacts for power supply leads.
- Dead End Cover:** molded thermoplastic.
- Mini Coupler:** connects track units mechanically and electrically.

Mechanical

Track units plug together and lock securely to prevent accidental separation. Track units can be field cut.

Finish

All painted finishes are baked enamel.

Mounting

Track may be surface mounted to ceilings or walls. The track may be stem mounted. The track is not intended to be cable mounted. The track can also be recessed, see Specification Sheet 7515.

Electrical

Two circuits individually controllable, rated 20 amps. at 120 volts 60 Hz per track circuit (40 amps total for the two circuits), when supplied by a 120/240 volt, 60-Hz, single phase 3-wire branch circuit with a grounded neutral. The track is polarized and continuously grounded throughout.

Electrical (continued)

Electrical conductors are concealed in an insulating liner. Lytespan lighting units attach to the track at any point and can be adjusted to operate on either track circuit. Not intended for use with a power cord or a convenience receptacle adapter. Magnetic and electronic transformers require different dimmer controls. Use the proper control device on the track. Caution should be used when operating dimming controls on 3 wire circuiting (the neutral conductor may overload). For additional information on dimming, call 1-800-833-3664. All wiring must be in accordance with National and Local Codes.

Labels

cUL, IBEW.

Job Information	Type:
Job Name:	
Cat. No.:	
Lamp(s):	
Notes:	

631 Airport Road, Fall River, MA 02720 • (508) 679-8131 • Fax (508) 674-4710
 We reserve the right to change details of design, materials and finish.
www.lightolier.com © 2009 Philips Group • G0309

Lightolier is a Philips group brand

PHILIPS



LUMINAIRE CUT SHEET
 100% CD
 10.16.2018

Wailuku Civic Hub
 Maui, HI
 Type: F7

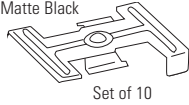
Track Mounting and Power Feed Systems

Track Mounting Clips

Recommended: 2 clips per 2' & 4' track, 3 clips per 8' and 12' track units, order separately. Attaches to track at any point. Clip is nylon coated. Spaces track 1/16" from ceiling.

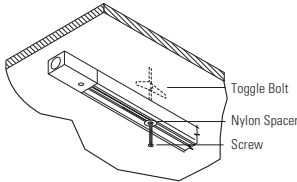
Not recommended for wall mounting.

- 56451WH** Matte White
- 56451BK** Matte Black



Direct Mounting

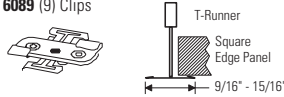
Toggle bolts and nylon insulators are furnished with Track, two per 2' and 4' track, three per 8' and 12' track. Mount through existing holes in track. Top of track sits flush to mounting surface. *Recommended for wall and ceiling mounting.*



Grid Ceiling Mounting Clips

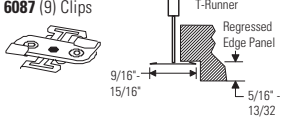
Square Edge Panels and 9/16"- 15/16" T-Runner Clip is supplied assembled. Mounts onto T-Bars by rotating clips. Use two per 2' and 4' track, three per 8', and four per 12' track.

6089 (9) Clips



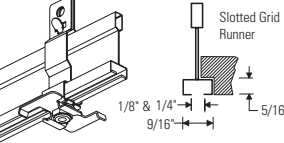
Regressed Edge Panels and 9/16"- 15/16" T-Bar Clip is supplied assembled. Mounts easily onto T-Bars by rotating clips. Use two per 2' and 4' track, three per 8', and four per 12' track.

6087 (9) Clips



Slotted Grid Ceilings such as Donn Finline and Chicago Metallic Ultraline 3500 and 3600. Use two per 2' and 4' track, three per 8', and four per 12' track.

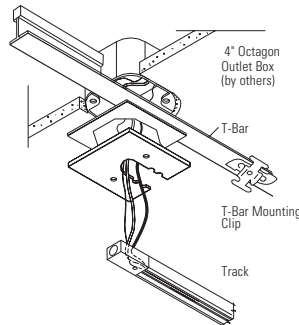
6088 (9) Clips



Grid Ceiling Canopy Kit

Mounts to a 4" or 3" octagonal outlet box. Use two per 2' or 4' track, three per 8' and 12' track. When making a run of track don't exceed 4' between stems. Includes a special outlet box to fit onto runners. Power can be fed to Feed Track, Live End, "L", "T", "X", and In-Line connectors. Mounts along runner or at the intersection of runners.

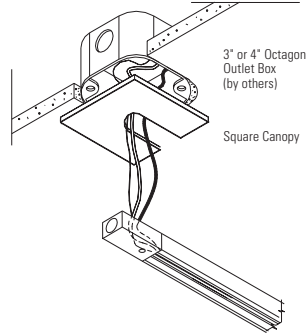
- 6096WH** Matte White
- 6096BK** Matte Black



End Feed Canopy Kit

Mounts directly Live End, 'L', 'T', 'X', In-Line and Variable Angle Connectors. Mounts to 4" or 3" octagonal outlet box. For track installed with mounting clips or direct mounted. Canopy is 3/32" thick and 4-1/2" square.

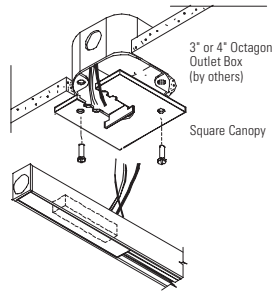
- 6060WH** Matte White
- 6060BK** Matte Black
- 6060NAL** Matte Aluminum



Floating Canopy Kit

Mounts to a 4" or 3" octagonal outlet box. Canopy is positioned anywhere along track, up to 4' from edge of track extrusion. Power can be fed to Live End, 'L', 'T', 'X', In-Line and Variable Angle Connectors. Mount track using track mounting clips. Canopy is 3/32" thick and 4-1/2" square.

- 6061WH** Matte White
- 6061BK** Matte Black
- 6061NAL** Matte Aluminum



Job Information

Type:

631 Airport Road, Fall River, MA 02720 • (508) 679-8131 • Fax (508) 674-4710
We reserve the right to change details of design, materials and finish.
www.lightolier.com © 2009 Philips Group • G0309

Lightolier is a Philips group brand

PHILIPS



LUMINAIRE CUT SHEET
100% CD
10.16.2018

Wailuku Civic Hub
Maui, HI
Type: F7

Track Mounting and Power Feed Systems

Stem Mounting Kits

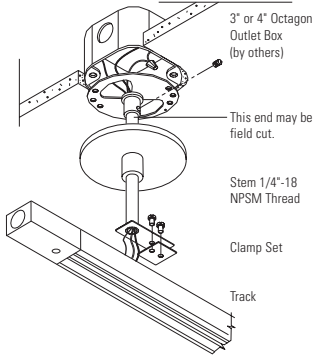
Mounts to a 4" or 3" octagon outlet box. Use two per 2" and 4" track, three per 8" and 12" track. When making a run of track do not exceed 4' between stems. Use additional stems for additional support. Power is fed to the track with the stem closest to the track feed-in point. For power feed to Feed Track and Live End, "L", "T", "X", In-line, and Variable Angle Connectors. Stem can be field cut.

Not recommended for wall mounting.

Stem mounts to track 18" Stem 48" Stem not feed connector.

Actual length from ceiling to top of track:

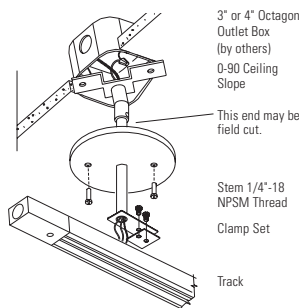
	17 3/8"	47 3/8"
Matte White	7584	7586
Matte Black	7683	7681
Matte Aluminum	7584AL	7681AL



Swivel Stem Mounting Kits

Adjusts from 0 to 90°. Mounts to a 4" or 3" octagon outlet box. Use two per 2" and 4" track, three per 8" and 12" track. When making a run of track do not exceed 4' between stems. Use additional stems for additional support. Power is fed to the track with the stem closest to the track feed-in point. For power feed to Feed Track and Live End, "L", "T", "X", In-line, and Variable Angle Connectors. Can be field cut. 48" stem. *Not recommended for wall mounting.* Stem mounts to track not feed connector.

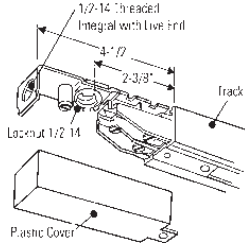
7480	Matte White
7481	Matte Black
7480AL	Matte Aluminum



Live End

Energizes Track from the beginning of a run. It is included with Individual Track Units. Use with plain track units.

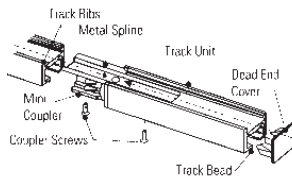
6148NWH	Matte White
6148NBK	Matte Black
6148NAL	Matte Aluminum



Mini-Coupler

Used to connect two pieces of track together mechanically and electrically. *Power cannot be fed to the Mini-Coupler.* It is included with Joiner Track Units.

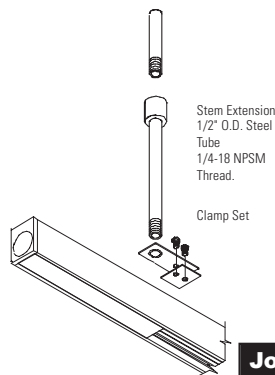
6149NWH	Matte White
6149NBK	Matte Black
6149NAL	Matte Aluminum



Stem Extension Kit

Mounts to any stem kit to extend its length by 48". *Cannot be field cut.*

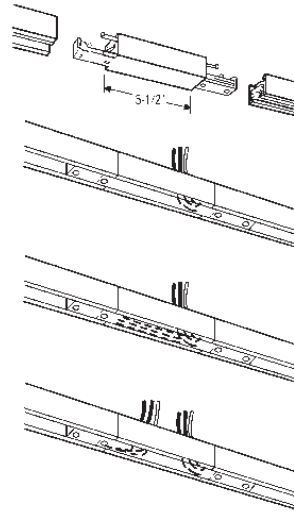
7582	Matte White
7680	Matte Black
7582AL	Matte Aluminum



In-Line Connector

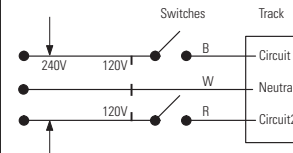
Permits power feed between track units in a straight run of track. The In-Line Connector is polarized and pre-wired. KO permits direct feed with electrical connector.

6154NWH	Matte White
6154NBK	Matte Black
6154NAL	Matte Aluminum

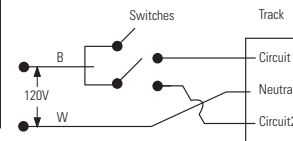


Wiring Diagram

(3) wire two circuit 120/240, 60Hz single phase with grounded neutral. Maximum load, 2400W (incand.) 20 amp per track circuit, 4800W 40 amps total.



120V 60Hz single branch circuit, 20 amp supply. Maximum load, 2400W (incand.) distributed between track circuits.



Job Information

Type:

631 Airport Road, Fall River, MA 02720 • (508) 679-8131 • Fax (508) 674-4710
 We reserve the right to change details of design, materials and finish.
www.lightolier.com © 2009 Philips Group • G0309

Lightolier is a Philips group brand

PHILIPS



LUMINAIRE CUT SHEET
 100% CD
 10.16.2018

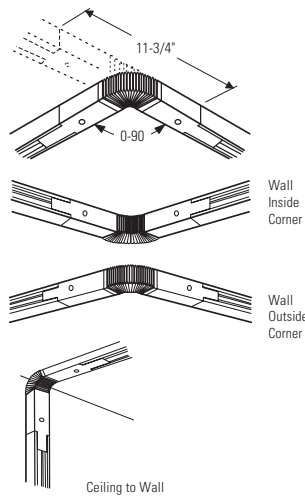
Wailuku Civic Hub
 Maui, HI
 Type: F7

Track Mounting, Power Feed Systems and Mounting Patterns

Variable Angle Connector

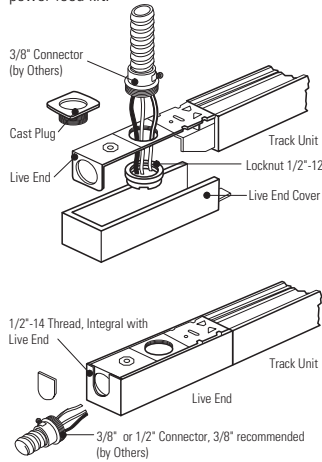
The Variable Angle Connector is pre-wired and polarized. It contains a nut with a thread 1/2"-14 to accept a 3/8" (trade sized) electrical connector. Flexes in all directions.

- 6153NWH** Matte White
- 6153NBK** Matte Black
- 6153NAL** Matte Black



Direct Feed into Connectors

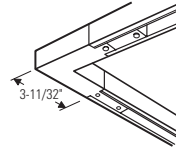
The Live End, "L", "T", "X", In-Line, and Variable Angle Connectors contain a nut with a 1/2"-14 thread to accept a 3/8" or 1/2" (trade size) electrical connector, 3/8" connector recommended. Does not require a separate power feed kit.



"L" Connector

The "L" connector is polarized and pre-wired. It may be rotated for right angle or left angle turn. KO permits direct feed with electrical connector.

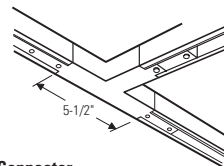
- 6150NWH** Matte White
- 6150NBK** Matte Black
- 6150NAL** Matte Aluminum



"T" Connector

The "T" connector is not pre-wired or polarized. Used to make "T" pattern with track. 12 ga. copper jumper wires supplied to make all necessary connections. KO permits direct feed with electrical connector.

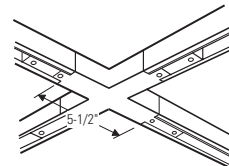
- 6151NWH** Matte White
- 6151NBK** Matte Black
- 6151NAL** Matte Aluminum



"X" Connector

The "X" connector is not pre-wired or polarized. Used to make "X" pattern with track. 12ga. copper jumper wires supplied to make all necessary connections. KO permits direct feed with electrical connector.

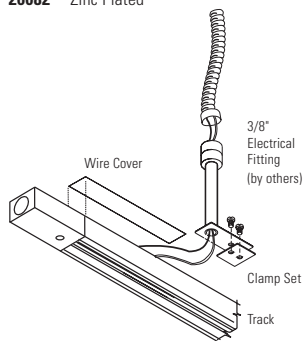
- 6152NWH** Matte White
- 6152NBK** Matte Black
- 6152NAL** Matte Aluminum



Floating Invisible Feed

Can be mounted anywhere along the track at a maximum distance of 4' from edge of track extrusion. Accepts conduit or cable with 3/8" or 1/2" electrical connector (by others). Can be used with Live End, "L", "T", "X", and In-Line and Variable Angle connectors. Use Track Mounting Clips to mount the track.

- 26082** Zinc Plated

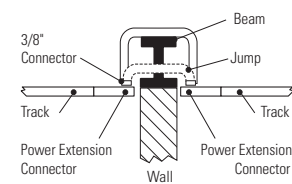


Power Extension Connector

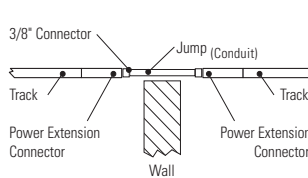
Replaces Dead End Cover at end of track to permit power continuity around structural obstacles to another track section. Accepts same power feed-in kits as Live End.

- 6146NWH** Matte White
- 6146NBK** Matte Black
- 6146NAL** Matte Aluminum

Over Beam or Through Beam



Through Wall or Column



Job Information **Type:**

631 Airport Road, Fall River, MA 02720 • (508) 679-8131 • Fax (508) 674-4710
 We reserve the right to change details of design, materials and finish.
 www.lightolier.com © 2009 Philips Group • G0309

Lightolier is a Philips group brand

PHILIPS



LUMINAIRE CUT SHEET
 100% CD
 10.16.2018

Wailuku Civic Hub
 Maui, HI
 Type: F7

**PHILIPS
LIGHTOLIER**

Track Lighting

Alcyon LED

Vertical cylinder,
LLAV30, 34W/3000lm



Project: _____
 Location: _____
 Cat.No: _____
 Type: _____
 Lamps: _____ Qty: _____
 Notes: _____

Alcyon LED Vertical Cylinders are ideal for display, accent and task lighting and offer higher efficiency than incandescent or halogen sources leading to energy savings with no ultraviolet or infrared radiation. Alcyon provides concentrated light which dramatically draws interest to objects and elements in a space.

Fixture

example: LLAV30930ALCW

Series	Lumens	CRI/CCT*	Adapter	Finish	Options
LLAV	30	<input type="checkbox"/>	<input type="checkbox"/>	<input type="checkbox"/>	<input type="checkbox"/>
LLAV Alcyon LED vertical cylinder	30 34W 3000lm	27 80CRI/2700K 30 80CRI/3000K 40 80CRI/4000K 927 90CRI/2700K 930 90CRI/3000K ¹	— Lightolier H Halo J Juno P Prospec ² See above	WH White AL Alum. BK Black See above	— no options CW CrispWhite ¹

Reflector

example: LLAV12RF

Series	Lumens	Reflector
LLAV	12	<input type="checkbox"/>
LLAV Alcyon LED vertical cylinder	12 Compatible with 34W/3000lm	RNS 11° Narrow Spot RS 17° Spot RNF 24° Narrow flood RF 36° Flood

Features

- LED board:** COB LED.
- Integrated housing heat sink:** die-cast aluminum maintains LED junction temperature for minimum 50,000 hr lifetime at 70% lumen maintenance.
- Track attachment fitting:** Integral color in gray, black or white. Molded polycarbonate. Rotates into track and locks into place with the use of push tabs. Located at center of mass to allow for fixture to hang vertically straight on track and with extensions wands and other track accessories.
- Push tab:** Molded polycarbonate. Locks and detaches unit.
- Track adapter housing:** Die-cast aluminum.
- Movable brass contact:** Brass extends for connection to 2nd circuit (Advent track only).
- Pivot mounts:** Allows for 350° horizontal. Vertical rotation of +/- 90° from vertical aim to the floor.
- Driver housing:** Extruded aluminum housing with die-cast aluminum covers.
- Interchangeable optics:** High efficiency metalized coating providing up to 98% total reflectivity for optimal light quality, beam control and punch. Reflector has lens attached which protects reflector finish and LEDs from contamination. Tool-less installation. Reflector sold separately to allow field replaceability.
- Finishes:** Painted with a baked enamel. Contains some powder coated finishes.

Dimming

Trailing edge (ELV) dimming compatible
SR400RPC120 Philips Controls Sunrise (3.97%)
SELV-300P Lutron Skylark (4.03%)
IPE04 Leviton Decora (4.01%)

Accessories

example: LLAV12AHWH

Series	Finish
<input type="checkbox"/>	<input type="checkbox"/>
LLAV12AH Accessory holder with spring	WH White AL Aluminum BK Black
23SNT6 Compatible snoot	WH White AL Aluminum BK Black
LLAV12 Compatible diffusion filters	SF Soft Focus FR Frosted Etched LS Linear Spread SY Soft Focus

Compatible color filters/gels provided by others

AL4HC Compatible hex cell louver (matte black)

- CrispWhite (CW) is only available with 90CRI / 3000K CCT (930).
- Prospec is only offered in White (WH) and Black (BK).

Mounting

Compatible with all Monopoint, Multipoint, recessed track, suspension track, suspension stems, sloped ceiling adapters as well as Basic, Advent and Radius track systems. Ceiling and horizontal or vertical wall mounted (adapters available for Prospec, Halo, Juno and ConTech).

Electrical

Electronic power supply
 Input voltage: 120V, 60Hz
 Input power: 34W
 Efficacy: 93lm/W (nominal) @ 3000K
 High power factor: >0.9
 CRI: 80-90 (typical)

Labels

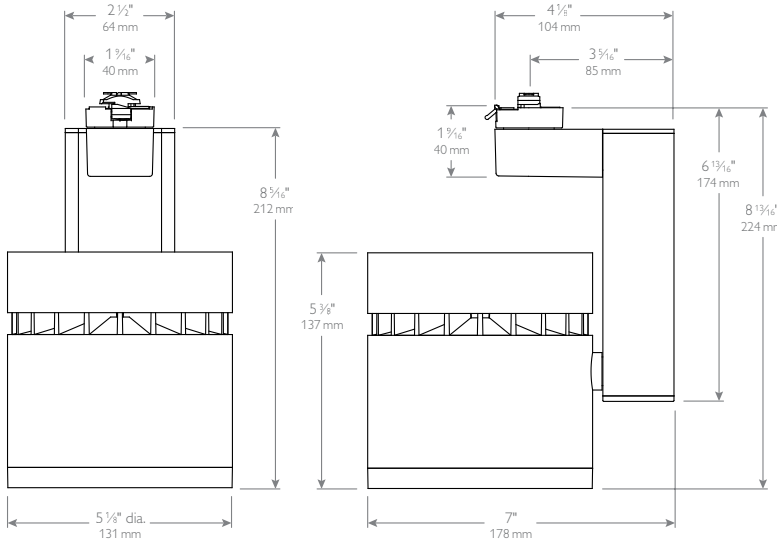
cULus Listed.
 5 year warranty.
 ENERGY STAR® (pending).



LLAV30 Alcyon LED

Vertical Cylinder, 34W/3000lm

Dimensions



	Beam spread (To 50% CBCP)	CBCP	Rated Life (Hrs.)
LLAV12RNS Narrow Spot	11°	47,724	50,000
LLAV12RS Spot	17°	23,751	50,000
LLAV12RNF Narrow Flood	24°	20,304	50,000
LLAV12RF Flood	36°	7,653	50,000

Accessories







Alcyon LED track lighting offers a full range of high performance accessories for tinting, coloring and shaping of the light beam. All accessories are designed to attach easily. A complete accessory consists of a size and series suffix.

Components

1. Housing
2. Reflector
3. Accessory holder
4. Accessory spring
5. Diffusion filters
6. Hex cell louver
7. Snoot
8. Aperture ring

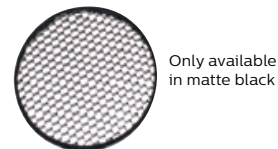
Diffusion/special filters

LLAV12 = 4-3/4" dia.

-  **LS** Linear spread lens
-  **FR** Frosted etched lens
-  **SF** Solite soft focus lens
-  **SY** Soft Focus lens

Hex cell louvers

AL4HC = 4-3/4" dia.



LLAV30 06/17 page 2 of 3



LUMINAIRE CUT SHEET
100% CD
10.16.2018

Wailuku Civic Hub
Maui, HI
Type: **F7A**

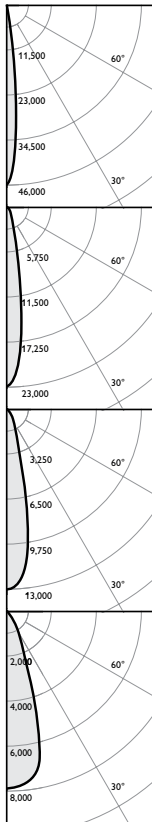
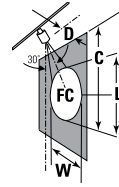
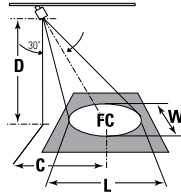
LLAV30 Alcyon LED

Vertical Cylinder, 34W/3000lm

Aiming angles

L and W are the outer points where the candle power drops to 50% of the maximum. FC are the initial footcandles at the center of the beam. Data shown is for 3000K, for 2700K multiply FC by 0.91.

L Beam length
D Distance
W Beam Width
A Aiming Angle
FC Footcandles
C Distance to center beam
CBCP Center Beam Candle Power.



Track: LLAV3030WH
Reflector: LLAV12RNS
CCT: 3000K
Output lumens: 3214 lms
Input watts: 34.4 W
Efficacy: 93.4 lm/w
CRI: 80 min
CBCP: 45,955 cd
Beam Angle: 11°
Report no: 1235GFR

Narrow Spot
30° Horizontal Aiming

Distance		Beam		
D	C	F.C.	L	W
6	3.5	829	1.5	1.3
8	4.6	466	2.1	1.8
10	5.8	298	2.6	2.2
12	6.9	207	3.1	2.7

30° Vertical Aiming

Distance	C	F.C.	Beam	
			L	W
2	3.5	1436	1.6	0.8
3	5.2	638	2.4	1.2
4	6.9	359	3.2	1.5
5	8.7	230	4.0	1.9

Track: LLAV3030WH
Reflector: LLAV12RS
CCT: 3000K
Output lumens: 3170 lms
Input watts: 34.4 W
Efficacy: 92.4 lm/w
CRI: 80 min
CBCP: 22,739 cd
Beam Angle: 17°
Report no: 1236GFR

Spot
30° Horizontal Aiming

Distance		Beam		
D	C	F.C.	L	W
6	3.5	410	2.4	2.1
8	4.6	231	3.2	2.8
10	5.8	148	4.0	3.5
12	6.9	103	4.8	4.1

30° Vertical Aiming

Distance	C	F.C.	Beam	
			L	W
2	3.5	711	2.6	1.2
3	5.2	316	3.8	1.8
4	6.9	178	5.1	2.4
5	8.7	114	6.4	3.0

Track: LLAV3030WH
Reflector: LLAV12RNF
CCT: 3000K
Output lumens: 3160 lms
Input watts: 34.3 W
Efficacy: 92.1 lm/w
CRI: 80 min
CBCP: 13,032 cd
Beam Angle: 24°
Report no: 1234GFR

Narrow Flood
30° Horizontal Aiming

Distance		Beam		
D	C	F.C.	L	W
6	3.5	235	3.5	2.9
8	4.6	132	4.6	3.9
10	5.8	85	5.8	4.9
12	6.9	59	6.9	5.9

30° Vertical Aiming

Distance	C	F.C.	Beam	
			L	W
2	3.5	407	3.9	1.7
3	5.2	181	5.9	2.6
4	6.9	102	7.9	3.4
5	8.7	65	9.8	4.3

Track: LLAV3030WH
Reflector: LLAV12RF
CCT: 3000K
Output lumens: 3172 lms
Input watts: 34.3 W
Efficacy: 92.5 lm/w
CRI: 80 min
CBCP: 7,818 cd
Beam Angle: 36°
Report no: 1233GFR

Flood
30° Horizontal Aiming

Distance		Beam		
D	C	F.C.	L	W
6	3.5	141	5.4	4.5
8	4.6	79	7.2	6.0
10	5.8	51	9.0	7.5
12	6.9	35	10.8	9.0

30° Vertical Aiming

Distance	C	F.C.	Beam	
			L	W
2	3.5	244	7.6	2.6
3	5.2	109	11.4	3.9
4	6.9	61	15.2	5.2
5	8.7	39	19.0	6.5

1. Correlated Color Temperature within specs as defined in ANSI_NEMA_ANSI C78.377-2008: Specifications for the Chromaticity of Solid State Lighting Products.
2. Wattage controlled to within +/- 5%.
3. Tested using absolute photometry as specified in LM79: IESNA Approved Method for the Electrical and Photometric Measurements of Solid-State Lighting Products.

© 2017 Philips Lighting Holding B.V. All rights reserved.
Philips reserves the right to make changes in specifications and/or to discontinue any product at any time without notice or obligation and will not be liable for any consequences resulting from the use of this publication.
philips.com/luminaires



Philips Lighting North America Corporation
200 Franklin Square Drive, Somerset, NJ 08873
Tel. 855-486-2216

Philips Lighting Canada Ltd.
281 Hillmount Rd, Markham, ON, Canada L6C 2S3
Tel. 800-668-9008



LUMINAIRE CUT SHEET
100% CD
10.16.2018

Wailuku Civic Hub
Maui, HI
Type: **F7A**

**PHILIPS
LIGHTOLIER**

Track Lighting

Alcyon LED

Vertical cylinder,
LLAV20, 21W/2000lm



Project: _____
 Location: _____
 Cat.No: _____
 Type: _____
 Lamps: _____ Qty: _____
 Notes: _____

Alcyon LED Vertical Cylinders are ideal for display, accent and task lighting and offer higher efficiency than incandescent or halogen sources leading to energy savings with no ultraviolet or infrared radiation. Alcyon provides concentrated light which dramatically draws interest to objects and elements in a space.

Fixture

example: LLAV2040AL

Series	Lumens	CRI/CCT*	Adapter	Finish	Options
LLAV	20				
LLAV Alcyon LED vertical cylinder	20 21W 2000lm	27 80CRI/2700K 30 80CRI/3000K 40 80CRI/4000K 927 90CRI/2700K 930 90CRI/3000K ¹	— Lightolier H Halo J Juno P Prospec ² See above	WH White AL Alum. BK Black See above	— no options CW CrispWhite ¹

Accessories

example: LLA11SNBK

Series	Finish
LLAV11AH Accessory holder with spring	WH White AL Aluminum BK Black
LLA11SN Compatible snoot	WH White BK Black
LLAV11 Compatible diffusion filters	LS Linear Spread SY Symmetrical Spread SF Soft Focus FR Frosted Etched

Compatible color filters/gels provided by others

LLAHCA11 Compatible hex cell louver (matte black)

1. CrispWhite (CW) is only available with 90CRI / 3000K CCT (930).
 2. Prospec is only offered in White (WH) and Black (BK).

Reflector

example: LLAV11RNF

Series	Lumens	Reflector
LLAV	11	
LLAV Alcyon LED vertical cylinder	11 Compatible with 9W/900lm, 14W/1300lm & 21W/2000lm	RNS 10° Narrow Spot RS 18° Spot RNF 24° Narrow flood RF 36° Flood

Features

- LED board:** COB LED.
- Integrated housing heat sink:** die-cast aluminum maintains LED junction temperature for minimum 50,000 hr lifetime at 70% lumen maintenance.
- Track attachment fitting:** Integral color in gray, black or white. Molded polycarbonate. Rotates into track and locks into place with the use of push tabs. Located at center of mass to allow for fixture to hang vertically straight on track and with extensions wands and other track accessories.
- Push tab:** Molded polycarbonate. Locks and detaches unit.
- Track adapter housing:** Die-cast aluminum.
- Movable brass contact:** Brass extends for connection to 2nd circuit (Advent track only).
- Pivot mounts:** Allows for 350° horizontal. Vertical rotation of +/- 90° from vertical aim to the floor.
- Driver housing:** Extruded aluminum housing with die-cast aluminum covers.
- Interchangeable optics:** High efficiency metalized coating providing up to 98% total reflectivity for optimal light quality, beam control and punch. Reflector has lens attached which protects reflector finish and LEDs from contamination. Tool-less installation. Reflector sold separately to allow field replaceability.
- Finishes:** Painted with a baked enamel. Contains some powder coated finishes.

Dimming

Trailing edge (ELV) dimming compatible
SR400RPC120 Philips Controls Sunrise (3%)
ZP425QE Philips Controls (6%)
SELV-300P Lutron Skylark (4%)
IPE04 Leviton Decora (4%)

Mounting

Compatible with all Monopoint, Multipoint, recessed track, suspension track, suspension stems, sloped ceiling adapters as well as Basic, Advent and Radius track systems. Ceiling and horizontal or vertical wall mounted (adapters available for Prospec, Halo, Juno and ConTech).

Electrical

Electronic power supply
 Input voltage: 120V, 60Hz
 Input power: 21W
 Efficacy: 64lm/W (nominal) @ 3000K
 High power factor: >0.9
 CRI: 80-85 (typical)

Labels

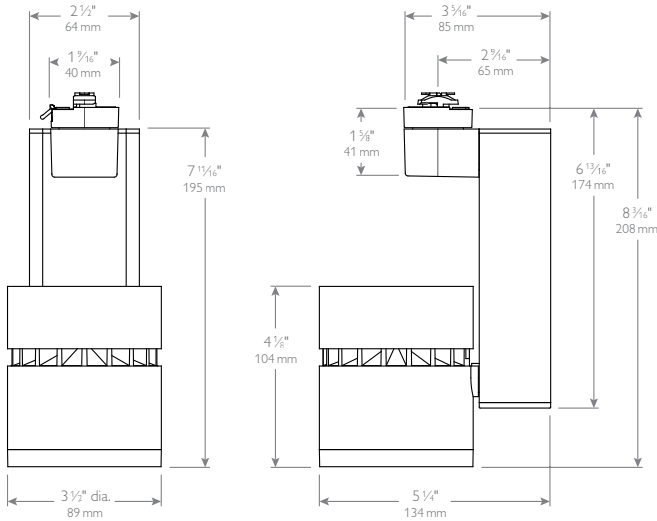
cULus Listed.
 5 year warranty.
 ENERGY STAR® certified (without accessories).



LLAV20 Alcyon LED

Vertical Cylinder, 21W/2000lm

Dimensions



	Beam spread (To 50% CBCP)	CBCP	Rated Life (Hrs.)
LLAV11RNS Narrow Spot	10°	27,029	50,000
LLAV11RS Spot	18°	11,605	50,000
LLAV11RNF Narrow Flood	24°	7,581	50,000
LLAV11RF Flood	36°	4,045	50,000

Note: LLAV11R is used on 600/1000/2000lm fixture

Accessories







Alcyon LED track lighting offers a full range of high performance accessories for tinting, coloring and shaping of the light beam. All accessories are designed to attach easily. A complete accessory consists of a size and series suffix.

Components

1. Housing
2. Reflector
3. Accessory holder
4. Accessory spring
5. Diffusion filters
6. Hex cell louver
7. Snoot
8. Aperture ring

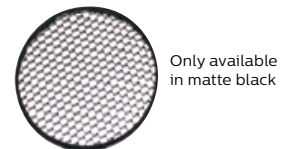
Diffusion/special filters

LLAV11 = 3-1/8" dia.

-  **LS** Linear spread lens
-  **FR** Frosted etched lens
-  **SF** Solite soft focus lens
-  **SY** Soft Focus lens

Hex cell louvers

LLAHCA11 = 3-1/8" dia.



LLAV20 06/17 page 2 of 3



LUMINAIRE CUT SHEET
100% CD
10.16.2018

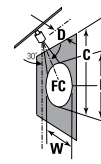
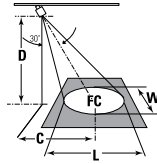
Wailuku Civic Hub
Maui, HI
Type: F7B_F7C

LLAV20 Alcyon LED

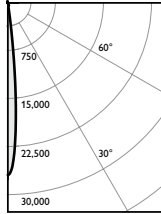
Vertical Cylinder, 21W / 2000lm

Aiming angles

L and W are the outer points where the candle power drops to 50% of the maximum. FC are the initial footcandles at the center of the beam. Data shown is for 3000K, for 2700K multiply FC by 0.91.



- L Beam length
- D Distance
- W Beam Width
- A Aiming Angle
- FC Footcandles
- C Distance to center beam
- CBCP Center Beam Candlepower.



Fixture: LLAV2030WH
Reflector: LLAV11RNS

CCT: 3000K
Output lumens: 1778 lms
Input watts: 21.1W
Efficacy: 84.3lm/w
CRI: 80 min
CBCP: 27,029cd
Beam Angle: 11°
Field Angle: 21°
Report no: 1075GFR

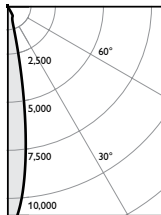
Narrow Spot

30° Horizontal Aiming

Distance		Beam	
D	C	F.C.	W
6	3.5	488	1.3
8	4.6	274	1.8
10	5.8	176	2.2
12	6.9	122	2.7

30° Vertical Aiming

Distance		Beam	
D	C	F.C.	W
2	3.5	845	0.8
3	5.2	375	1.2
4	6.9	211	1.5
5	8.7	135	1.9



Fixture: LLAV2030WH
Reflector: LLAV11RS

CCT: 3000K
Output lumens: 1779 lms
Input watts: 21.0W
Efficacy: 84.7lm/w
CRI: 80 min
CBCP: 11,605cd
Beam Angle: 19°
Field Angle: 35°
Report no: 1074GFR

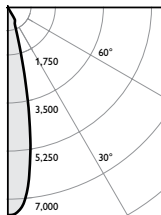
Spot

30° Horizontal Aiming

Distance		Beam	
D	C	F.C.	W
6	3.5	209	2.3
8	4.6	118	3.1
10	5.8	75	3.9
12	6.9	52	4.6

30° Vertical Aiming

Distance		Beam	
D	C	F.C.	W
2	3.5	363	1.3
3	5.2	161	2.0
4	6.9	91	2.7
5	8.7	58	3.3



Fixture: LLAV2030WH
Reflector: LLAV11RNF

CCT: 3000K
Output lumens: 1765 lms
Input watts: 21.0W
Efficacy: 84.0lm/w
CRI: 80 min
CBCP: 7,571cd
Beam Angle: 24°
Field Angle: 47°
Report no: 1073GFR

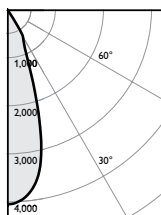
Narrow Flood

30° Horizontal Aiming

Distance		Beam	
D	C	F.C.	W
6	3.5	137	2.9
8	4.6	77	3.9
10	5.8	49	4.9
12	6.9	34	5.9

30° Vertical Aiming

Distance		Beam	
D	C	F.C.	W
2	3.5	237	1.7
3	5.2	105	2.6
4	6.9	59	3.4
5	8.7	38	4.3



Fixture: LLAV2030WH
Reflector: LLAV11RF

CCT: 3000K
Output lumens: 1732 lms
Input watts: 21.0W
Efficacy: 82.5lm/w
CRI: 80 min
CBCP: 4,045cd
Beam Angle: 36°
Field Angle: 65°
Report no: 1072GFR

Flood

30° Horizontal Aiming

Distance		Beam	
D	C	F.C.	W
6	3.5	73	4.5
8	4.6	41	6.0
10	5.8	26	7.5
12	6.9	18	9.0

30° Vertical Aiming

Distance		Beam	
D	C	F.C.	W
2	3.5	126	2.6
3	5.2	56	3.9
4	6.9	32	5.2
5	8.7	20	6.5

© 2017 Philips Lighting Holding B.V. All rights reserved. Philips reserves the right to make changes in specifications and/or to discontinue any product at any time without notice or obligation and will not be liable for any consequences resulting from the use of this publication. philips.com/luminaires



Philips Lighting North America Corporation
200 Franklin Square Drive, Somerset, NJ 08873
Tel. 855-486-2216

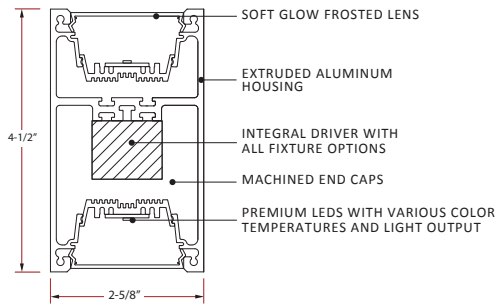
Philips Lighting Canada Ltd.
281 Hillmount Rd, Markham, ON, Canada L6C 2S3
Tel. 800-668-9008



LUMINAIRE CUT SHEET
100% CD
10.16.2018

Wailuku Civic Hub
Maui, HI
Type: F7B_F7C

Hassium ² CABLE SUSPENDED (CS)



FEATURES:

- 1/16" aircraft cable suspension system
- High transmission frosted lenses with no diode imaging
- No visible fasteners
- Extruded aluminum housing
- Dimmable/Programmable drivers for controllable light output
- High efficacy LEDs with 5 year warranty
- Under 2 steps MacAdams Ellipse Binning
- 3/8" thick machined end caps
- Bi-directional fixture
- Slightly recessed beveled lens housing



PRODUCT SPECIFICATION

NOTE: All options *italicized in gray* may increase lead times and/or incur higher costs - please consult factory with questions.

FIXTURE TYPE	MOUNTING/ ORIENTATION	NOMINAL LENGTH*	COLOR TEMP	LED DRIVE POWER		VOLTAGE	DRIVER
				DIRECT	INDIRECT*		
Hs2 Hassium 2	<input type="checkbox"/>	<input type="checkbox"/>	<input type="checkbox"/>	<input type="checkbox"/>	<input type="checkbox"/>	<input type="checkbox"/>	<input type="checkbox"/>
Hs2 Hassium 2	CS Cable Suspended - BI-DIRECTIONAL	1' 1'-1-3/8"*** 2' 2'-1-3/8" 3' 3'-1-3/8"***	27K 2700K 30K 3000K 35K 3500K 40K 4000K 50K 5000K	VLO Very Low Output 385 lumens/ft. (4w/ft.) LO Low Output 580 lumens/ft. (6w/ft.) SO Standard Output 760 lumens/ft. (8w/ft.) HO High Output 955 lumens/ft. (10w/ft.) VHO Very High Output 1,110 lumens/ft. (12w/ft.) CPO Custom Power Output Consult factory	VLO Very Low Output 450 lumens/ft. (4w/ft.) LO Low Output 680 lumens/ft. (6w/ft.) SO Standard Output 890 lumens/ft. (8w/ft.) HO High Output 1,115 lumens/ft. (10w/ft.) VHO Very High Output 1,300 lumens/ft. (12w/ft.) CPO Custom Power Output Consult factory	UNV Universal (120-277v) 1V 120v 2V 277v 3V 347v*	ND Non-Dimming 0-10v DIMMING 10D 10% DIM 1D 1% DIM LUTRON LTEA Lutron Hi-Lume 1% (2-Wire) LDE1 Lutron EcoSystem 1% "Soft on" (Digital) LDES Lutron EcoSystem 5% 5-Series (Digital) DALI DALI Digital Addressable Lighting Interface
	CSD Cable Suspended - DIRECT ONLY	4' 4'-1-3/8" 5' 5'-1-3/8"*** 6' 6'-1-3/8" 7' 7'-1-3/8"*** 8' 8'-1-3/8" 12' 12'-1-3/8"*** CR Continuous Run (Specify length in nominal feet)		CPO:	CPO:		
		*Dimensions are for reference only. Contact factory for more specific information or shop drawings. **Odd lengths may incur slightly higher per foot pricing.		*Not Applicable with CSD option. DIRECT ONLY.		*Not all dimming options are available with 347v.	

HOUSING FINISH	HARDWARE* DETAIL FINISH	CANOPY SIZE OPTIONS*	CANOPY FINISH	POWER CORD COLOR	AIRCRAFT CABLE LENGTH*	OPTIONS/ CUSTOMIZATION*
SC Satin Clear Anodize (Standard) SW Satin White (Powder Coat) MB Matte Black (Powder Coat) CF Custom Finish* (Consult factory)	MF Machined Finish (Standard) CF Custom Finish (Consult factory)	5 SERIES CANOPY 55 5" Power feed canopy 5" Non-power feed canopy 52 5" Power feed canopy 2" Non-power feed canopy 50 5" Power feed canopy Canopy only at power feed 4 SERIES CANOPY 44 4" Power feed canopy 4" Non-power feed canopy 41 4" Power feed canopy 1" Non-power feed canopy 40 4" Power feed canopy Canopy only at power feed	SW Satin White (Standard) CPC Custom Powder Coat canopy finish* MF Machine Finish (Standard) SW Satin White CF Custom Finish*	W White G Gray B Black CC Custom Cord* CC:	2 2' 4 4' 6 6' 8 8' CL Custom Length Specify in feet (IE: CL10 for 10') Consult factory to confirm spec CL:	XX No EMB or Customization EMB7 7 Watt battery back-up** (Approximately 600 lumens) EMB12 12 Watt battery back-up** (Approximately 1,000 lumens) 90 90+ CRI LED BOARDS (2700K - 4000K only) CD Custom Driver* CR Customization Requested* DUAL Dual switching/dimming
*RAL and color match are available.	NOTE: The MF option is strongly recommended. Other options will result in higher costs and potentially longer lead times. **"Hardware" refers to the end caps and knuckles (knuckles only for the "Rotational" option).	*See options section and installation instructions for more information.	*Just about any finish is possible. For the 4" machined canopies, MF is strongly recommended. Contact the factory with questions or requests.	*Consult factory.	*Cables are field adjustable.	*Consult factory for all custom options or custom concept requests. NOTE: Customization may incur higher costs and/or increased lead times. **The EMB12 is slightly more expensive than the EMB7 option (BOTH OPTIONS ARE INTEGRAL).

SPECIFICATION INFORMATION

GENERAL NOTES:
All fixtures are **UL listed** for **dry** and **damp** locations.
INTEGRAL DRIVER for all options.
Please contact the factory with any specification questions.
Italicized grayed out options may incur additional costs and/or extended lead times. Please consult the factory.

FIXTURE ORIENTATION:
Bi-directional (CS) for downlight and uplight applications.
Direct (CSD) for only downlight applications.

DRIVER: [INTEGRAL]
1) NON-DIMMING: As described... this fixture will not dim.
2) DIMMING: 0-10v: 1%, 10% :: Lutron: 2-wire Forward phase (Hi-Lume 1%, Ecosystem to 1% (Soft On), Ecosystem to 5% (5 Series). "DALI" - Specify driver: See "Dimming Options" on subsequent pages for more information. For other dimming options, consult the factory.
3) EMERGENCY: Specify EMB under the Options/Customization category at the end of the cut sheet along with the desired lumen output (600 or 1,000 lumens - the latter is slightly more costly).
4) Drivers are programmed according to our standard lumen packages or to custom watt/lumen package requirements.
5) Consult factory with any questions or specification requirements.

FINISHES:
The standard finish is a Satin Clear anodized housing with Machine Finished hardware. Machined finish is preferable for machined components (Hardware Detail)- Powder coating these parts may result in additional costs. Consult the factory with any questions about standard or custom finishing options.

CUSTOMIZATION:
We have numerous custom options available. However, if there is something unique required for a project, from simple options to complete custom requests, we are more than willing to entertain any creative notions you might have. Just ask.



LUMINAIRE CUT SHEET
100% CD
10.16.2018

Wailuku Civic Hub
Maui, HI
Type: F8

Hassium 2

PHOTOMETRIC DATA

LED COMPONENT INFORMATION

- Fixture delivered light potential: 105 Lumens/Watt*
- Uniform light distribution
- 90+ CRI LED diode options
- Exceptional binning- less than 2 step MacAdams Elipse
- Minimum 70% initial lumen output at 70,000 hours
- Standard 0-10v dimming to %10
- Lutron, Eldoled, Dali, and other dimming options
- 5 year system warranty

*Actual fixture efficacy will be dependent on specification. Higher lumens per watt are achieved with lower drive powers. Please contact the factory with questions or for more information.

LUMEN OUTPUT*

LUMEN OUTPUT (PER FOOT)

DRIVER OUTPUT	DIRECT		INDIRECT	
	WATTAGE	LUMENS	WATTAGE	LUMENS
VERY LOW	4	385	4	450
LOW	6	580	6	680
STANDARD	8	760	8	890
HIGH	10	955	10	1,115
VERY HIGH	12	1,110	12	1,300

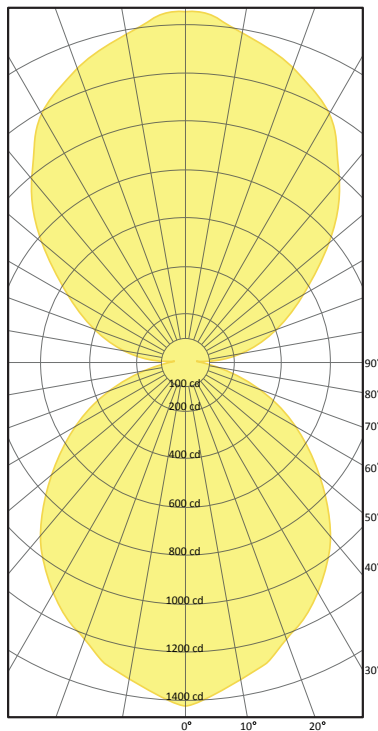
PER 4' FIXTURE (TOTAL DELIVERED LUMENS)

DRIVER OUTPUT	DIRECT		INDIRECT	
	WATTAGE	LUMENS	WATTAGE	LUMENS
VERY LOW	16	1,540	16	1,800
LOW	24	2,320	24	2,720
STANDARD	32	3,040	32	3,560
HIGH	40	3,820	40	4,460
VERY HIGH	48	4,440	48	5,200

- **VERY LOW:** Considerably underdrives the LEDs to maximize fixture efficacy potential and limit wattage use.
- **LOW:** Underdrives the LEDs for reasonable light output while maintaining low wattage use.
- **STANDARD:** Drives the LEDs for the best combination of lumen output and fixture efficacy.
- **HIGH:** Drive the LEDs at higher capacity for highest lumen output with good efficacy.
- **VERY HIGH:** Drives the LEDs at the highest capacity for the highest lumen output with the best efficacy.

*Lumen output will vary depending on ambient temperature. Cooler ambient and LED color temperatures result in higher luminaire performance. Calculations are based on 3500K LEDs.

LUMINOUS INTENSITY DISTRIBUTION



FIXTURE PROPERTIES (AS TESTED)

- 4' nominal length fixture
- Standard Output (SO)
- Total system energy consumption: 64 Watt
- 105 Lumens/Watt
- 4000K 80 CRI LED

ZONAL LUMEN SUMMARY

ZONE	LUMEN	%LAMP	%FIXTURE
0 - 30	946	11%	14.3%
0 - 40	1,507	17.4%	22.8%
0 - 60	2,507	29%	37.9%
0 - 90	3,041	35.2%	46%
90 - 120	711	8.2%	10.8%
90 - 150	2,552	29.5%	38.6%
90 - 180	3,569	41.3%	54%
0 - 180	6,610	76.5%	100%



Lumium Lighting, LLC | 3590 Cadillac Ave, Suite A, Costa Mesa, CA 92626 | Phone: 760.757.2530 | Fax: 760.283.2333 | www.lumiumlighting.com
 While we always strive to ensure all website content and product information is current, Lumium Lighting reserves the right to change specifications without notice.
 © 2017 Lumium Lighting, LLC - All rights reserved.

0517



Lumium
lighting at its element

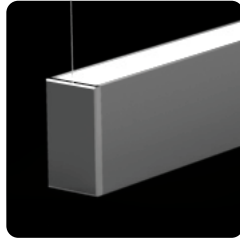


LUMINAIRE CUT SHEET
 100% CD
 10.16.2018

Wailuku Civic Hub
 Maui, HI
 Type: F8

OPTIONS GUIDE

MOUNTING



CABLE SUSPENDED (CS)

1/16" aircraft cable suspension system. Hassium 2 (Hs2) can be static down-light and up-light: Bi-Directional (CS) or only static down-light: Direct Only (CSD). Standard and custom power cord finishes, sleeve options, and canopy colors offer options to match almost any space. Stainless steel cables come in various lengths (4' is standard) and are field adjustable.



SURFACE MOUNT (SM)

Side Mount Side (SMS) or Side Mount Direct Only (SMSD). Side, the fixture is mounted on the wall giving a static bi-directional up-light and down-light. Direct Only, the fixture is mounted on the wall as well but only gives a static down-light. Optional stand-offs allow for fixtures to be mounted from 1/2" to 12" as well as custom lengths if needed.



Lumium Lighting, LLC | 3590 Cadillac Ave, Suite A, Costa Mesa, CA 92626 | Phone: 760.757.2530 | Fax: 760.283.2333 | www.lumiumlighting.com

While we always strive to ensure all website content and product information is current, Lumium Lighting reserves the right to change specifications without notice.

0517



Lumium
lighting at its element



LUMINAIRE CUT SHEET
100% CD
10.16.2018

Wailuku Civic Hub
Maui, HI
Type: F8

OPTIONS GUIDE

CONTINUOUS RUN

Continuous runs are available with all fixtures and have several connection options. Single Seam continuous run options offer smooth section transitions while Component Seams lend to a more dramatic visual statement. The 360 Rotational option enables individual sections to rotate independently of each other, which offers adjustable asymmetric light distribution capacity along with striking appearances such as alternating up/down fixtures or spiral transitions. The flexibility within the rotational option makes for infinite design and functional possibilities.



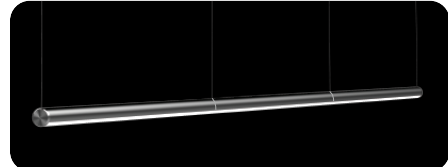
CONTINUOUS RUN
SINGLE SEAM



CONTINUOUS RUN
ROTATIONAL
(SPIRAL EFFECT)



CONTINUOUS RUN
ROTATIONAL



OXYGEN 2 (O2) WITH A SINGLE SEAM CONTINUOUS RUN

CANOPIES

STANDARD

Canopies have several standard options to suit various environment aesthetics. The standard cable suspension system has 5" Satin White canopies. However, other standard options include a 2" non-power feed canopy option as well as no canopy at all. Both of these include a 5" diameter power feed canopy.



5" diameter power feed and 5" diameter non-pow feed canopy. Most common canopy layout. Creates a consistent ceiling aesthetic.



5" diameter power feed and 2" diameter non-power feed canopy. Offers a more minimal ceiling treatment while maintaining the ability to cover up mistakes. Requires a 1/4-20 stud securely fastened to the ceiling.



5" diameter power feed canopy and no canopy on the non-power feed side. Minimal aesthetic. Requires a 1/4-20 stud securely attached to ceiling. Works well with continuous runs where the power can be carried inside the fixture.

MACHINED

Machined canopies are 4" in diameter and can be anodized as well as powder coated to match a desired color or they can be left with a mill finish for a more striking look. Similar non-power feed options are available with this aesthetic as well. These options do carry a higher cost than standard canopies, but also have an impressive appearance.



4" diameter machined power feed and 4" diameter machined non-power feed canopy. Offers a consistent ceiling aesthetic with smaller machined canopies. Mill, anodized, and powder coat finishes available.



4" diameter machined power feed and 1-1/4" diameter machined non-power feed canopy. Offers minimal ceiling treatment while maintaining the ability to cover mistakes. Requires a 1/4-20 stud securely fastened to the ceiling. Mill, anodized, and powder coat finishes available.



4" diameter machined power feed canopy and no canopy on the non-power feed side. Minimal aesthetic. Requires a 1/4-20 stud securely attached to the ceiling. Works well with continuous runs where the power can be carried inside the fixture. Mill, anodized, and powder coat finishes available.

CUSTOM

Custom canopy options are available and can look spectacular in certain applications. Contact the factory with all custom requests or with any questions.



CUSTOM POWDER COAT



CUSTOM ANODIZE



CUSTOM SHAPE



Lumium Lighting, LLC | 3590 Cadillac Ave, Suite A, Costa Mesa, CA 92626 | Phone: 760.757.2530 | Fax: 760.283.2333 | www.lumiumlighting.com
 While we always strive to ensure all website content and product information is current, Lumium Lighting reserves the right to change specifications without notice.
 © 2017 Lumium Lighting, LLC - All rights reserved.

0517



Lumium
lighting at its element



LUMINAIRE CUT SHEET
100% CD
10.16.2018


Wailuku Civic Hub
Maui, HI
Type: F8

OPTIONS GUIDE

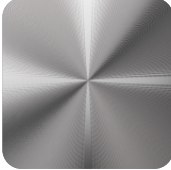
COLOR AND FINISH

Standard finish configurations are Satin Clear (SC) housing with Machined Finish (MF) machined components (end caps, knuckles, cover plates, etc.). The incredibly clean detail within all of the machined components lends to an incredibly high end aesthetic with two tone finish. Numerous custom anodizing and powder coated finishes are available as well. If you have a particular color/finish treatment in mind, please contact the factory and we will do our best to accommodate your project needs.

STANDARD




SATIN CLEAR ANODIZING




MACHINED COMPONENTS


CUSTOM




MATTE BLACK




GLOSS BLACK




BRONZE




MILL ALUMINUM




SPECULAR




SATIN WHITE




GLOSS WHITE



COLOR POWDER COAT




COLOR ANODIZE



RAL COLORS

FINISHED CONFIGURATION




THALLIUM 2 (Th2)

Cable Suspended Rotational mount system with two-tone finish, Satin Clear housing and Machined Finish components.

COVER PLATES

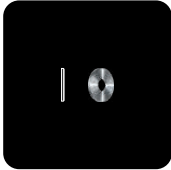
Cover plates are standard for Rotational Arm Mounting (RAM) Systems. Standard options are Flat (FT), Curved (CV), or Trim Ring (TR). With certain applications, cover plates or trim rings may not be necessary. Contact factory with questions or for more information. Custom cover plates are also available. If a certain aesthetic is desired, please contact the factory to review any concepts and we will do our best to bring your vision to life.

STANDARD



FLAT (CPFT)

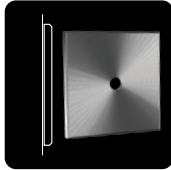
Flat has a 4" diameter cover plate for use with a 3-O mud ring.




TRIM RING (TR)

1-1/4" diameter trim ring. Can be used in applications such as desk mounting.


CUSTOM



SQUARE



TALL RECTANGLE



CUSTOM



Lumium Lighting, LLC | 3590 Cadillac Ave, Suite A, Costa Mesa, CA 92626 | Phone: 760.757.2530 | Fax: 760.283.2333 | www.lumiumlighting.com
 While we always strive to ensure all website content and product information is current, Lumium Lighting reserves the right to change specifications without notice.
 © 2017 Lumium Lighting, LLC - All rights reserved.

0517



Lumium
 Lighting at its element



LUMINAIRE CUT SHEET
 100% CD
 10.16.2018

Wailuku Civic Hub
 Maui, HI
 Type: F8

Note: This Fixture Cut Is For Information Only. Refer To Specs For All Catalogue Numbers, Lamps, Finishes, Accessories, Etc

NOT USED



LUMINAIRE CUT SHEET
100% CD
10.16.2018

Wailuku Civic Hub
Maui, HI
Type: **F9**

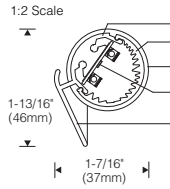
Lighting the Wall

Xtra small linear, remote driver

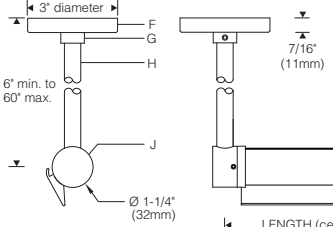
Solid State (LED)

Style S112

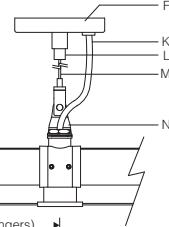
Optical Assembly



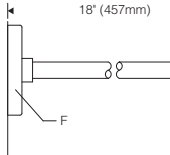
Pendant Stem, Round Canopy



Cable Hanger



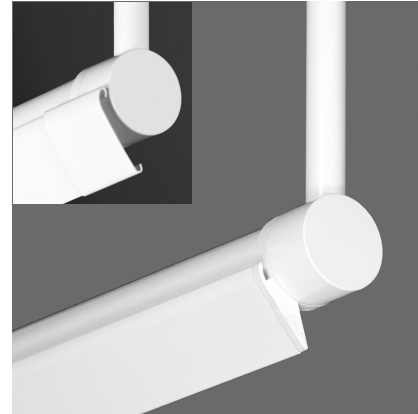
Cantilever



Remote Driver(s)

See remote LED driver document [MA-1357](#) for dimensions and wiring, mounting instructions.

LENGTH	CENTER-CENTER
2FT	24-3/4" (629mm)
3FT	36-1/2" (927mm)
4FT	48" (1219mm)
5FT	60" (1524mm)
6FT	72" (1829mm)



Specifications

- A** Extruded aluminum heat sink/housing
- B** Extruded semi-diffuse lens
- C** Die-cast aluminum end plate 1-1/8" dia.
- D** Linear LED PCB with mid-power LEDs
- E** Integral visor (extruded aluminum)
- F** Aluminum canopy (3" dia. x 7/16" D)
- G** Slip ring with set screw
- H** Extruded aluminum pendant stem 1/2" O.D.
- J** Aluminum mounting hub (ordered separately)
- K** Cord to remote driver
- L** Cable coupler with slip ring
- M** 1/16" dia. 7x7 cable
- N** Cable gripper and leveling bracket
- P** Extruded aluminum intermediate cover

Housing and Optic Assembly:

Extruded aluminum heat sink/optic housing. Exterior heat sink anodized for maximum emissivity. Precision extruded polymer refractive lens with optimal dispersion.

Finish:

Bright anodized extruded aluminum heat sink/housing with painted finish, white or black. Formed aluminum canopy, end hubs and stems painted white or black.

Painted surfaces – 6 stage pretreatment and electrostatically applied thermoset polyester powder coating for a durable abrasion, fade and corrosion resistant finish.

All hardware – stainless steel or nickel plated brass.

Mounting:

Required cable, pendant or cantilever mounting hangers — ordered and priced separately; see pg. SW24.1. Specify end and intermediate hangers as needed. Cantilever/pendant supplied with recessed outlet box (suitable backing structure required). Adjustable interface plate (concealed under canopy) allows for leveling of arms.

Electrical:

Units are furnished with 10 foot (3048mm) leads for connection to remote driver Class II output. Remote electronic HPF thermally protected Class II driver mounted in aluminum enclosure. For complete driver specifications, see website, reference document [MA-1303](#). Optional electronic dimming driver, compatible dimming controls (by others). See website for dimming compatibility and specifications.

Standard:

UL listed or CSA certified for damp location. 5 year warranty, maximum ambient temperature 45°C (113°F).

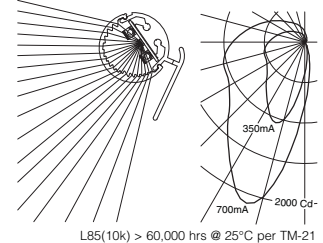
Features

- Inconspicuous low profile – lights entire wall evenly without emphasizing surface imperfections (unlike slot grazers)
- Built-in visor provides shielding of glare from below
- Adjustable and lockable aiming
- Small, elegant hub hangers with pendant stem, cable, or cantilever mounting



Performance

Precisely extruded acrylic lens produces an asymmetric distribution ideal for illuminating vertical surfaces evenly from top to bottom.

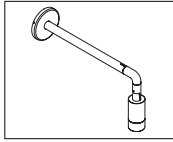


For photometric and lumen maintenance reports, visit [thelightingquotient.com](#)



LUMINAIRE CUT SHEET
100% CD
10.16.2018

Wailuku Civic Hub
Maui, HI
Type: F10



BKSL
BOLD STATE LIGHTING
12-27W LED



**DENALI SERIES™
SIGN STAR™ STYLE L**

PROJECT: _____

TYPE: _____

CATALOG NUMBER: _____

SOURCE: _____

NOTES: _____

CATALOG NUMBER LOGIC

Example: **SN** - **42** - **L** - **DE** - **LED** - **x58** - **SP** - **SAP** - **9** - **11** - **C** - **SC**

Series _____
SN - Sign Star™

Stem Length _____
24", 30", 36", 42", or 48"*
(Specify in inches)
* Requires secondary support

Style _____
L - 90° Radius

Fixture _____
DE - Denali Series™

Source _____
LED - 'X' Module with Cold Phosphor Technology

LED Type _____
x58 - 12WLED/2.7K x61 - 20WLED/2.7K x64 - 27WLED/2.7K
x59 - 12WLED/3K x62 - 20WLED/3K x65 - 27WLED/3K
x60 - 12WLED/4K x63 - 20WLED/4K x66 - 27WLED/4K

Optics _____
SP - Spot (15°)
FL - Flood (35°)
WFL - Wide Flood (60°)

Finish _____

**Configure Driver Housing Separately
Driver Housing Required**

REMOTE DRIVER HOUSINGS:
PM2RM - Universal Power Module 2 Remote
PM2DRM - Universal Power Module 2 Dual Remote
RM - Remote Wall Mount
DRM - Dual Remote Wall Mount

Standard Finish			Premium Finish		
Powder Coat Color	Satin	Wrinkle	ABP	CMG	RMG
Bronze	BZP	BZW	AMG	CRI	SDS
Black	BLP	BLW	AQW	CRM	SMG
White (Gloss)	WHP	WHW	BCM	HUG	TXF
Aluminum	SAP	—	BGE	MDS	WCP
Verde	—	VER	BPP	NBP	WIR
			CAP	OCP	<i>Also available in RAL Finishes See submittal SUB-1439-00</i>

Lens Type _____
9 - Clear (Standard) 10 - Spread Lens* 12 - Soft Focus Lens* 13 - Rectilinear Lens*

Shielding _____
11 - Honeycomb Baffle*

Cap Style _____
A - 45° B - 90° C - Flush D - 45° less Weep Hole (Interior Use Only) E - 90° less Weep Hole (Interior Use Only)

Options _____
SC - Safety Cable w/ Mounting Canopy (standard with 42" and above)

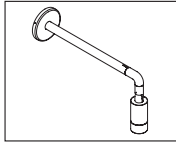
*Accommodates up to 2 Lens/Shielding media

B-K LIGHTING	40429 Brickyard Drive • Madera, CA 93636 • USA 559.438.5800 • FAX 559.438.5900 www.bklighting.com • info@bklighting.com	RELEASED 11-7-17	DRAWING NUMBER SUB-2335-00
	THIS DOCUMENT CONTAINS PROPRIETARY INFORMATION OF B-K LIGHTING, INC. AND ITS RECEIPT OR POSSESSION DOES NOT CONVEY ANY RIGHTS TO REPRODUCE, DISCLOSE ITS CONTENTS, OR TO MANUFACTURE, USE OR SELL ANYTHING IT MAY DESCRIBE. REPRODUCTION, DISCLOSURE OR USE WITHOUT SPECIFIC WRITTEN AUTHORIZATION OF B-K LIGHTING, INC. IS STRICTLY FORBIDDEN.		



LUMINAIRE CUT SHEET
100% CD
10.16.2018

Wailuku Civic Hub
Maui, HI
Type: F11



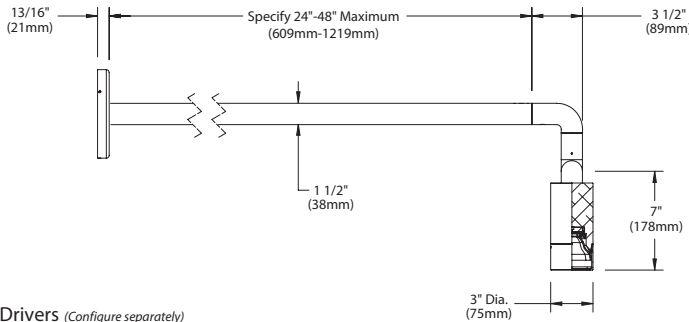
BKSSL
RELIABLE SOLID STATE LIGHTING
12-27W LED



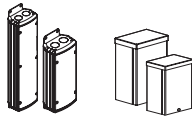
DENALI SERIES™ SIGN STAR™ STYLE L

PROJECT:	
TYPE:	

SIDE VIEW

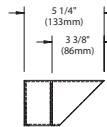


Drivers (Configure separately)

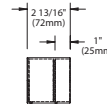


PM2DRM & PM2RM RM & DRM

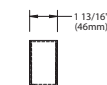
"A/D" CAP



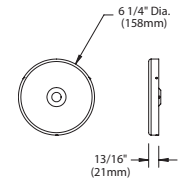
"B/E" CAP



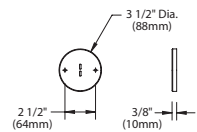
"C" CAP



COVER DETAIL



SAFETY CABLE W/MOUNTING CANOPY



Standard w/ 42" & 48" lengths
Optional w/ 24", 30" & 36" lengths

All dimensions indicated on this submittal are nominal.
Contact Technical Sales if you require more stringent specifications.

SPECIFICATIONS

GreenSource Initiative™

Metal and packaging components are made from recycled materials. Manufactured using renewable solar energy, produced on-site. Returnable to manufacturer at end of life to ensure cradle-to-cradle handling. Packaging contains no chlorofluorocarbons (CFC's). Use of this product may qualify for GreenSource efficacy and recycling rebate(s). Consult www.bklighting.com/greensource for program requirements.

Materials

Furnished in Copper-Free Aluminum (Type 6061-T6).

Style

'L' Style provides clean, 90° transition from fixture to stem.

Body

Fully machined from solid billet. Unibody design provides enclosed, water-proof wireway and integral heat sink for maximum component life. Integral knuckle for maximum mechanical strength. High temperature, silicone 'O' Ring provides water-tight seal.

Knuckle

Patented 360HD™ Mounting System features a mechanical taper-lock, which allows a full 180° vertical adjustment without the use of serrated teeth, which inherently limit aiming. High temperature, silicone 'O' Ring provides water-tight seal and compressive resistance to maintain fixture position. Design withstands 73 lb. static load prior to movement to ensure decades of optical alignment. 1/2" pipe thread for mounting. Biaxial source control additionally provides 360° horizontal rotation in addition to vertical adjustment. 'Aim-And-Lock' Technology allows precision adjustment without the redundant tightening and loosening of knuckle screw.

Cap

Fully machined. Accommodates [2] lens or louver media. Choose from 45° cutoff ('A' or 'D'), 1" deep bezel with 90° cutoff ('B' or 'E') or flush lens ('C') cap styles. 'A' and 'B' caps include weep-hole for water and debris drainage. 'D' and 'E' caps exclude weep-hole and are for interior use only.

Lens

Shock resistant, tempered, glass lens is factory adhered to fixture cap and provides hermetically sealed optical compartment.

BKSSL®

Integrated solid state system with 'X' technology is scalable for field upgrade. Modular design with electrical quick disconnects permit field maintenance.

LM-80 certified. Minimum 50,000 hour rated life at 70% of initial lumens (L70). BKSSL technology provides long life, significant energy reduction and exceptional thermal management.

Color Management

Corrected cold phosphor technology delivers near-perfect natural white light. Long term phosphor maintenance over product life. Exact color point conformity exceeds ANSI C78.377 standard. Provides uniform beam with no color variation over angle. Module exceeds 80 CRI (RA>80, R9>16).

Remote Driver

For use with remote LED driver. See remote driver submittal to determine remote distance and wiring requirements prior to detailing field installation of any remote wiring.

Optics

Interchangeable OPTIKIT™ modules permit field changes to optical distribution.

Installation

6 1/4" dia., machined canopy permits mounting to 4" octagonal junction box. Junction box installation must be designed to hold full fulcrum weight of fixture (junction box and gasket by others). Optional safety cable with mounting canopy maintains secondary support (standard with 42" and 48" lengths).

Wiring

Teflon® coated, 18AWG, 600V, 250°C rated and certified to UL 1659 standard.

Hardware

Tamper-resistant, stainless steel hardware. LOCK™ aiming screw and canopy mounting screws are additionally black oxide treated for additional corrosion resistance.

Finish

StarGuard®, our exclusive RoHs compliant, 15 stage chromate-free process cleans and conversion coats aluminum components prior to application of Class 'A' TGIC polyester powder coating.

Warranty

5 year limited warranty.

Certification and Listing

UL tested to IESNA LM-79. UL Listed. Certified to CAN/CSA/ANSI Standards. RoHs compliant. Suitable for indoor or outdoor use. Suitable for use in wet locations. Additionally suitable for installation within 4' of the ground. IP66 Rated. Made in USA.



*Teflon is a registered trademark of DuPont Corporation.

B-K LIGHTING

40429 Brickyard Drive • Madera, CA 93636 • USA
559.438.5800 • FAX 559.438.5900
www.bklighting.com • info@bklighting.com

RELEASED
11-7-17

DRAWING NUMBER
SUB-2335-00



LUMINAIRE CUT SHEET
100% CD
10.16.2018

Wailuku Civic Hub
Maui, HI
Type: F11



LAMP DATA

x58, x59, x60, x61, x62, x63, x64, x65, x66

LM79 DATA				L70 DATA	OPTICAL DATA		
BK No.	CCT (Typ.)	CRI (Typ.)	Input Watts (Typ.)	Minimum Rated Life (hrs.) 70% of initial lumens (L70)	Angle	CBCP	Delivered Lumens
x58	2700K	80	12W	50,000	15°	3877	724
	2700K	80	12W	50,000	35°	1498	663
	2700K	80	12W	50,000	60°	629	625
x59	3000K	80	12W	50,000	15°	4059	758
	3000K	80	12W	50,000	35°	1568	694
	3000K	80	12W	50,000	60°	659	655
x60	4000K	80	12W	50,000	15°	4561	851
	4000K	80	12W	50,000	35°	1762	780
	4000K	80	12W	50,000	60°	740	736
x61	2700K	80	20W	50,000	15°	7098	1306
	2700K	80	20W	50,000	35°	2621	1124
	2700K	80	20W	50,000	60°	1048	1063
x62	3000K	80	20W	50,000	15°	7488	1378
	3000K	80	20W	50,000	35°	2765	1186
	3000K	80	20W	50,000	60°	1106	1121
x63	4000K	80	20W	50,000	15°	7800	1435
	4000K	80	20W	50,000	35°	2880	1235
	4000K	80	20W	50,000	60°	1152	1168
x64	2700K	80	27W	50,000	15°	15679	1769
	2700K	80	27W	50,000	35°	4656	1588
	2700K	80	27W	50,000	60°	1517	1386
x65	3000K	80	27W	50,000	15°	16190	1827
	3000K	80	27W	50,000	35°	4808	1640
	3000K	80	27W	50,000	60°	1567	1431
x66	4000K	80	27W	50,000	15°	17042	1923
	4000K	80	27W	50,000	35°	5061	1726
	4000K	80	27W	50,000	60°	1649	1506

OPTICS

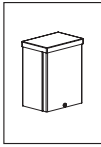
Optic	Angle
Spot	15°
Flood	35°
Wide Flood	60°

B-K LIGHTING	40429 Brickyard Drive • Madera, CA 93636 • USA	RELEASED	DRAWING NUMBER
	559.438.5800 • FAX 559.438.5900 www.bklighting.com • info@bklighting.com	11-20-2017	SUB-2581-00



LUMINAIRE CUT SHEET
100% CD
10.16.2018

Wailuku Civic Hub
Maui, HI
Type: F11



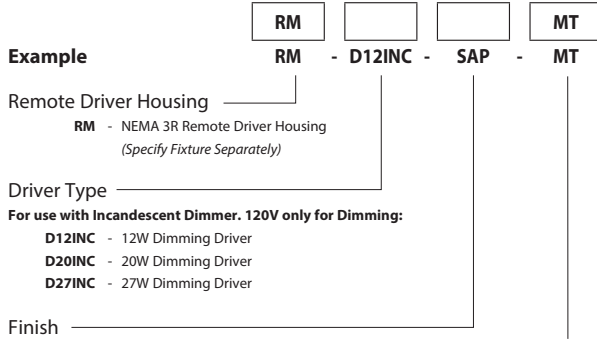
Constant Current Driver



NEMA 3R Remote Driver Housing

PROJECT:	
TYPE:	
CATALOG NUMBER:	
LAMP(S):	
NOTES:	

CATALOG NUMBER LOGIC



REMOTE WIRING

LED Driver

Remote driver installations require inter-connected wiring between the LED and driver (by others). Drivers have specific wiring requirements between these components. Driver manufacturers regularly recommend the following wiring details for such installations:

- Do not exceed 50 foot overall wiring distance using 12 gauge copper wire.

Failure to comply with specific wiring requirements will void product warranty.

Standard Finish			Premium Finish		
Powder Coat Color	Satin	Wrinkle	ABP	CMG	RMG
Bronze	BZP	BZW	Antique Brass Powder	Cascade Mountain Granite	Rocky Mountain Granite
Black	BLP	BLW	Aleutian Mountain Granite	Cracked Ice	Sonoran Desert Sandstone
White (Gloss)	WHP	WHW	Antique White	Cream	Sierra Mountain Granite
Aluminum	SAP	—	Black Chrome	Hunter Green	Textured Forest
Verde	—	VER	Beige	Mojave Desert Sandstone	Weathered Copper
			Brown Patina Powder	Natural Brass Powder	Weathered Iron
			Clear Anodized Powder	Old Copper	<i>Also available in RAL Finishes See submittal SUB-1439-00</i>

Input Voltage: **MT** - 120-277 VAC Input

DRIVER ELECTRICAL DATA

TYPE	AC INPUT RANGE	FREQUENCY HZ	DIMMING	POWER FACTOR AT FULL LOAD	THD	OPERATING AMBIENT TEMPERATURE	DIMMER TYPE	DIMMER RANGE	IN RUSH CURRENT
D12INC	105-305	50/60	YES	>0.94	≤5%	-30°C to 50°C (-22°F to 122°F)	Incandescent	10-100%	<250mA
D20INC	105-305	50/60	YES	>0.94	≤5%	-30°C to 50°C (-22°F to 122°F)	Incandescent	10-100%	<250mA
D27INC	100-277	50/60	YES	>0.90	≤20%	-30°C to 60°C (-22°F to 140°F)	Incandescent	10-100%	<10A

B-K LIGHTING	40429 Brickyard Drive • Madera, CA 93636 • USA 559.438.5800 • FAX 559.438.5900 www.bklighting.com • info@bklighting.com	RELEASED 06-30-2017	DRAWING NUMBER SUB-2590-00
---------------------	---	------------------------	-------------------------------

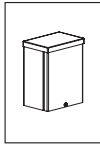
THIS DOCUMENT CONTAINS PROPRIETARY INFORMATION OF B-K LIGHTING, INC. AND ITS RECEIPT OR POSSESSION DOES NOT CONVEY ANY RIGHTS TO REPRODUCE, DISCLOSE ITS CONTENTS, OR TO MANUFACTURE, USE OR SELL ANYTHING IT MAY DESCRIBE. REPRODUCTION, DISCLOSURE OR USE WITHOUT SPECIFIC WRITTEN AUTHORIZATION OF B-K LIGHTING, INC. IS STRICTLY FORBIDDEN.



LUMINAIRE CUT SHEET
100% CD
10.16.2018

Wailuku Civic Hub
Maui, HI
Type: F11

Note: This Fixture Cut Is For Information Only. Refer To Specs For All Catalogue Numbers, Lamps, Finishes, Accessories, Etc



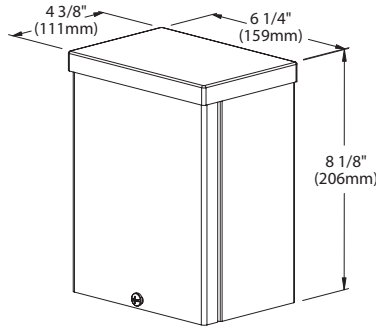
Constant Current Driver



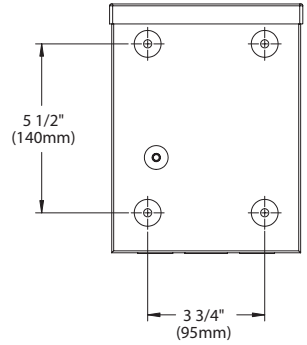
NEMA 3R Remote Driver Housing

PROJECT:	
TYPE:	

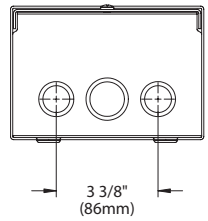
SIDE VIEW



BACK VIEW



END VIEW



SPECIFICATIONS

GreenSource Initiative™

Metal and packaging components are made from recycled materials. Manufactured using renewable solar energy, produced on site. Returnable to manufacturer at end of life to ensure cradle-to-cradle handling. Packaging contains no chlorofluorocarbons (CFC's). Use of this product may qualify for GreenSource efficacy and recycling rebate(s). Consult www.bklighting.com/greensource for program requirements.

Installation

Nema 3R, surface mount design. For use with remote fixture (specified separately).

Housing

Steel construction with screw cover. Front access for ease of installation and inspection. [2] bottom entry, 3/4" conduit knockouts.

Wiring / Connectors

Teflon® coated wire, 18 gauge, 600V, 250°C rated and certified to UL1659 standard. Pre-wired and labeled terminal strip.

Driver (12-27W)

For use with 700mA (D12, D20, D27), Class A, constant current drivers. 120-277VAC (nominal) primary input voltage. 50/60Hz. >0.94 Power Factor, <10.0A in-rush current, 0.25A input current, ≤20%THD (nominal at 120VAC full load). Output over-voltage, over-current, and short circuit protection with auto recovery. EMC: FCC47CFR Part 15 Class B compliant. Dimming driver for use with standard incandescent dimmers. 10-100% range.

Finish

StarGuard®, our exclusive RoHs compliant, 15 stage chromate-free process cleans and conversion coats aluminum components prior to application of Class 'A' TGIC polyester powder coating.

Warranty

5 year limited warranty.

Listings

NEMA 3R Enclosure. UL Listed, Certified to CAN/CSA/ANSI Standards. RoHs compliant. Made in USA.



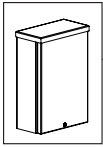
©Teflon is a registered trademark of DuPont Corporation.

B-K LIGHTING	40429 Brickyard Drive • Madera, CA 93636 • USA 559.438.5800 • FAX 559.438.5900 www.bklighting.com • info@bklighting.com	RELEASED 06-30-2017	DRAWING NUMBER SUB-2590-00



LUMINAIRE CUT SHEET
100% CD
10.16.2018

Wailuku Civic Hub
Maui, HI
Type: F11



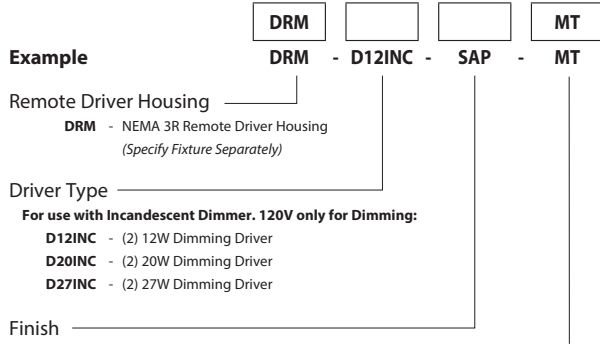
Constant Current Driver



NEMA 3R Dual Remote Driver Housing

PROJECT:	
TYPE:	
CATALOG NUMBER:	
LAMP(S):	
NOTES:	

CATALOG NUMBER LOGIC



REMOTE WIRING

LED Driver
 Remote driver installations require inter-connected wiring between the LED and driver (by others). Drivers have specific wiring requirements between these components. Driver manufacturers regularly recommend the following wiring details for such installations:

- Do not exceed 50 foot overall wiring distance using 12 gauge copper wire.

Failure to comply with specific wiring requirements will void product warranty.

Standard Finish			Premium Finish		
Powder Coat Color	Satin	Wrinkle	ABP	CMG	RMG
Bronze	BZP	BZW	Antique Brass Powder	Cascade Mountain Granite	Rocky Mountain Granite
Black	BLP	BLW	Aleutian Mountain Granite	Cracked Ice	SDS Sonoran Desert Sandstone
White (Gloss)	WHP	WHW	AQW Antique White	CRM Cream	SMG Sierra Mountain Granite
Aluminum	SAP	—	BCM Black Chrome	HUG Hunter Green	TXF Textured Forest
Verde	—	VER	BGE Beige	MDS Mojave Desert Sandstone	WCP Weathered Copper
			BPP Brown Patina Powder	NBP Natural Brass Powder	WIR Weathered Iron
			CAP Clear Anodized Powder	OCP Old Copper	<i>Also available in RAL Finishes See submittal SUB-1439-00</i>

Input Voltage _____
 MT - 120-277 VAC Input

DRIVER ELECTRICAL DATA

TYPE	AC INPUT RANGE	FREQUENCY HZ	DIMMING	POWER FACTOR AT FULL LOAD	THD	OPERATING AMBIENT TEMPERATURE	DIMMER TYPE	DIMMER RANGE	IN RUSH CURRENT
D12INC	105-305	50/60	YES	>0.94	≤5%	-30°C to 50°C (-22°F to 122°F)	Incandescent	10-100%	<250mA
D20INC	105-305	50/60	YES	>0.94	≤5%	-30°C to 50°C (-22°F to 122°F)	Incandescent	10-100%	<250mA
D27INC	100-277	50/60	YES	>0.90	≤20%	-30°C to 60°C (-22°F to 140°F)	Incandescent	10-100%	<10A

B-K LIGHTING	40429 Brickyard Drive • Madera, CA 93636 • USA	RELEASED	DRAWING NUMBER
	559.438.5800 • FAX 559.438.5900 www.bklighting.com • info@bklighting.com	06-30-2017	SUB-2593-00

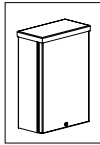
THIS DOCUMENT CONTAINS PROPRIETARY INFORMATION OF B-K LIGHTING, INC. AND ITS RECEIPT OR POSSESSION DOES NOT CONVEY ANY RIGHTS TO REPRODUCE, DISCLOSE ITS CONTENTS, OR TO MANUFACTURE, USE OR SELL ANYTHING IT MAY DESCRIBE. REPRODUCTION, DISCLOSURE OR USE WITHOUT SPECIFIC WRITTEN AUTHORIZATION OF B-K LIGHTING, INC. IS STRICTLY FORBIDDEN.



LUMINAIRE CUT SHEET
 100% CD
 10.16.2018

Wailuku Civic Hub
 Maui, HI
 Type: F11

Note: This Fixture Cut Is For Information Only. Refer To Specs For All Catalogue Numbers, Lamps, Finishes, Accessories, Etc



BKSSL
SOLID STATE LIGHTING

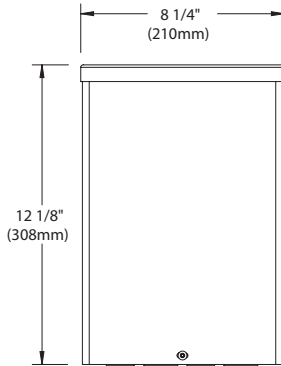
Constant Current Driver



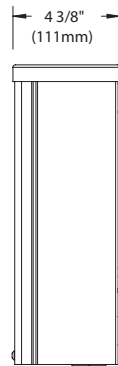
NEMA 3R Dual Remote Driver Housing

PROJECT:	
TYPE:	

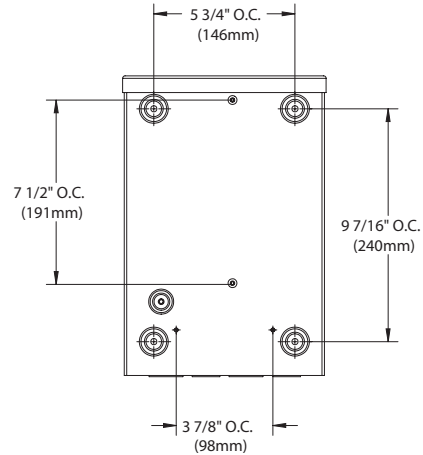
FRONT VIEW



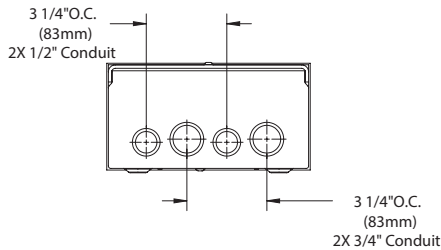
SIDE VIEW



BACK VIEW



END VIEW



SPECIFICATIONS

GreenSource Initiative™

Metal and packaging components are made from recycled materials. Manufactured using renewable solar energy, produced on site. Returnable to manufacturer at end of life to ensure cradle-to-cradle handling. Packaging contains no chlorofluorocarbons (CFC's). Use of this product may qualify for GreenSource efficacy and recycling rebate(s). Consult www.bklighting.com/greensource for program requirements.

Installation

Nema 3R, surface mount design. For use with remote fixtures (specified separately).

Housing

Steel construction with screw cover. Front access for ease of installation and inspection. [2] bottom entry, 3/4" conduit knockouts.

Wiring / Connectors

Teflon™ coated wire, 18 gauge, 600V, 250°C rated and certified to UL1659 standard. Pre-wired and labeled terminal strip.

Driver (12-27W)

For use with [2] 700mA (D12, D20, D27), Class A, constant current drivers. 120-277VAC (nominal) primary input voltage. 50/60Hz. >0.94 Power Factor, <10.0A in-rush current, 0.25A input current, ≤20%THD (nominal at 120VAC full load). Output over-voltage, over-current, and short circuit protection with auto recovery. EMC: FCC47CFR Part 15 Class B compliant. Dimming driver for use with standard incandescent dimmers. 10-100% range.

Finish

StarGuard®, our exclusive RoHs compliant, 15 stage chromate-free process cleans and conversion coats aluminum components prior to application of Class 'A' TGIC polyester powder coating.

Warranty

5 year limited warranty.

Listings

NEMA 3R Enclosure. UL Listed. Certified to CAN/CSA/ANSI Standards. RoHs compliant. Made in USA.



©Teflon is a registered trademark of DuPont Corporation.

B-K LIGHTING

40429 Brickyard Drive • Madera, CA 93636 • USA
559.438.5800 • FAX 559.438.5900
www.bklighting.com • info@bklighting.com

RELEASED
06-30-2017

DRAWING NUMBER
SUB-2593-00



LUMINAIRE CUT SHEET
100% CD
10.16.2018

Wailuku Civic Hub
Maui, HI
Type: F11

IG Series

LED Parking Garage Luminaire

Product Description

Cree innovates again to reset the performance benchmark in parking garage applications with the IG Series featuring WaveMax® Technology, our innovative optical waveguide platform. Available in 33 watt and 66 watt, two lumen packages are offered to satisfy IESNA RP20-14 Basic and IESNA Security Zone G-1-03 requirements for environments seeking higher light levels for improved safety and security. The streamlined design breaks away from dated traditional designs, blending form and function, to deliver superior low-glare illumination.

Applications: Parking garages

Performance Summary

Utilizes Cree WaveMax® Technology

Initial Delivered Lumens: 3,430 - 7,500 lumens

Input Power: 33 or 66 watts

Efficacy: Up to 118 LPW

Optic: Type V Short Distribution

Assembled in the USA of U.S. and imported parts

CCT: 3000K (+/- 300K), 4000K (+/- 300K), 5700K (+/- 500K)

CRI: Minimum 80 CRI

Limited Warranty*: 10 years on luminaire/5 years on ENC and PML options

* See <http://lighting.cree.com/warranty> for warranty terms

Accessories

Field-Installed
Hand-Held Remote XA-SENSREM - For successful implementation of the programmable multi-level option, a minimum of one hand-held remote is required

Ordering Information

Fully assembled luminaire is composed of two components that must be ordered separately:

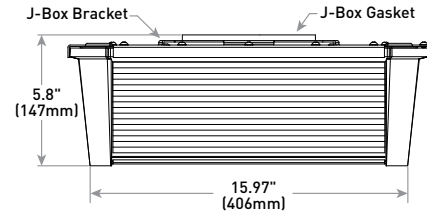
Example: **Mount:** IG-JBWH + **Luminaire:** IG-NM-5S-A-40K-UL-WH

Mount (Luminaire must be ordered separately)	
IG-	WH
IG-JB Junction Box IG-PD Pendant	Color Options: WH White

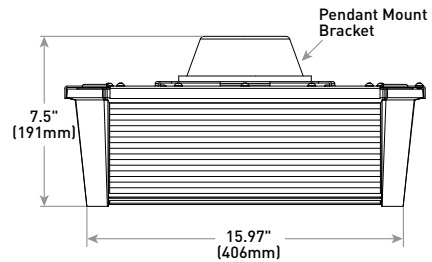
Luminaire (Mount must be ordered separately)							
IG	NM	5S				WH	
Product	Mounting	Optic	Input Power Designator	CCT	Voltage	Color	Options
IG	NM No Mount	5S Type V Short	A 33W J 66W	30K 3000K 40K 4000K 57K 5700K	UL 120-277V 34 347V	WH White	PML Programmable Multi-Level - Refer to PML spec sheet for details ENC ENCELUM® Enabled - Available with J input power designator only - Not available with 34 voltage or PML option - Factory-installed OSRAM ENCELUM® EN-WCM-ZB-DR module - Commissioning and services by others - Refer to www.encelium.com for additional information - Power consumption increases by 1W



JB Mount



PD Mount



Weight

10 lbs. (4.5kg)



US: lighting.cree.com



T (800) 236-6800 F (262) 504-5415



Rev. Date: V11 12/19/2017

Canada: www.cree.com/canada



T (800) 473-1234 F (800) 890-7507



LUMINAIRE CUT SHEET
100% CD
10.16.2018

Wailuku Civic Hub
Maui, HI
Type: FE1

Note: This Fixture Cut Is For Information Only. Refer To Specs For All Catalogue Numbers, Lamps, Finishes, Accessories, Etc

Product Specifications

CREE WAVEMAX® TECHNOLOGY

Featuring up to 90% optical efficiency and precise control, Cree WaveMax® Technology provides unmatched comfort and decreased LED source luminance by smoothly spreading brightness over a broader area. When integrated with luminous surfaces made of a polymer medium engineered with DiamondFacet™ optical elements, extremely high efficacy luminaires are the result – ultimately creating more visually comfortable and appealing environments while exceeding illumination performance.

CONSTRUCTION & MATERIALS

- Impact resistant white polycarbonate housing and acrylic lenses
- Corrosion resistant anodized aluminum top plate
- Low profile, lightweight design provides ease of installation
- Standard luminaire can mount to both pendant or J-box (specify mount in ordering table above)
- J-Box mounting bracket mounts directly over existing 4" (102mm) square, rectangular or octagonal junction boxes only
- Pendant mount includes 6" (152mm) wires out of luminaire and provides a splice location for mounting to 3/4" IP pendant (by others)
- **Weight:** 10 lbs. (4.5kg)

OPTICAL SYSTEM

- WaveMax® Technology that improves optical control, optical efficiency, energy efficiency and the overall visual experience
- Acrylic Lenses with DiamondFacet™ Microlenses
- Unmatched low-glare comfort and decreased LED source luminance by smoothly spreading brightness over the optical lenses
- 6% Uplight

ELECTRICAL SYSTEM

- **Input Voltage:** 120-277V or 347V, 50/60Hz, Class 1 drivers
- **Power Factor:** > 0.9 at full load
- **Total Harmonic Distortion:** < 20% at full load
- **Input Power:** Stays constant over life
- **Operating Temperature Range:** -40°C - + 40°C (-40°F - + 104°F)
- Designed with 0-10V dimming capabilities standard. Controls by others (Non-PML versions only)
- Integral 6kV surge suppression protection standard
- When code dictates fusing, a slow blow fuse or type C/D breaker should be used to address inrush current

REGULATORY & VOLUNTARY QUALIFICATIONS

- cULus Listed
- Suitable for wet locations
- Suitable for operation in ambient not exceeding 40°C (104°F)
- Requires minimum 90°C supply conductors for 120-277V models
- Requires minimum 75°C supply conductors for 347V models
- Enclosure rated IP66 per IEC 60529
- 6kV surge suppression protection tested in accordance with IEEE/ANSI C62.41.2
- Meets FCC Part 15, Subpart B, Class A standards for conducted and radiated emissions
- Meets Buy American requirements within ARRA
- DLC and DLC Premium qualified versions available. Please refer to <https://www.designlights.org/search/> for most current information
- RoHS compliant. Consult factory for additional details

Electrical Data*							
Input Power Designator	System Watts 120-277V	System Watts 347V	Total Current (A)				
			120V	208V	240V	277V	347V
A	33	35	0.29	0.17	0.15	0.13	0.11
J	66	69	0.57	0.33	0.28	0.25	0.20

* Electrical data at 25°C (77°F). Actual wattage may differ by +/- 10% when operating between 120-347V +/- 10%

IG Series Ambient Adjusted Lumen Maintenance ¹					
Ambient	Initial LMF	25K hr Projected ² LMF	50K hr Calculated ² LMF	75K hr Calculated ³ LMF	100K hr Calculated ³ LMF
0°C (32°F)	1.04	1.04	1.04	1.04	1.04
5°C (41°F)	1.03	1.03	1.03	1.03	1.03
10°C (50°F)	1.02	1.02	1.02	1.02	1.02
15°C (59°F)	1.02	1.02	1.02	1.02	1.02
20°C (68°F)	1.01	1.01	1.01	1.01	1.01
25°C (77°F)	1.00	1.00	1.00	1.00	1.00
30°C (86°F)	0.99	0.99	0.99	0.99	0.99
35°C (95°F)	0.98	0.98	0.98	0.98	0.98
40°C (104°F)	0.98	0.98	0.98	0.98	0.98

¹Lumen maintenance values at 4000K and 25°C (77°F) are calculated per TM-21 based on LM-80 data and in-situ luminaire testing. Luminaire ambient temperature factors (LATF) have been applied to all lumen maintenance factors
²In accordance with IESNA TM-21-11, Projected Values represent interpolated value based on time durations that are within six times (6X) the IESNA LM-80-08 total test duration (in hours) for the device under testing (DUT) i.e. the packaged LED chip
³In accordance with IESNA TM-21-11, Calculated Values represent time durations that exceed six times (6X) the IESNA LM-80-08 total test duration (in hours) for the device under testing (DUT) i.e. the packaged LED chip

US: lighting.cree.com

T (800) 236-6800 F (262) 504-5415

Canada: www.cree.com/canada

T (800) 473-1234 F (800) 890-7507



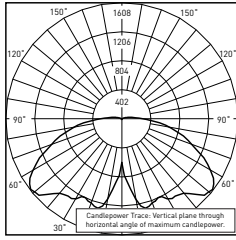
LUMINAIRE CUT SHEET
 100% CD
 10.16.2018

Wailuku Civic Hub
 Maui, HI
 Type: FE1

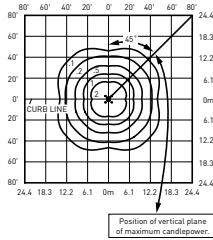
Photometry

All published luminaire photometric testing performed to IESNA LM-79-08 standards by a NVLAP accredited laboratory. To obtain an IES file specific to your project consult: <http://lighting.cree.com/products/outdoor/parking-structure/ig-series>

5S



RESTL Test Report #: PL09173-002B
 IG-**-5S-J-30K-UL
 Initial Delivered Lumens: 6,923



IG-**-5S-J-40K-UL
 Mounting Height: 15' (4.6m) A.F.G.
 Initial Delivered Lumens: 7,500
 Initial FC at grade

Type V Short Distribution						
Input Power Designator	3000K		4000K		5700K	
	Initial Delivered Lumens*	BUG Ratings** Per TM-15-11	Initial Delivered Lumens*	BUG Ratings** Per TM-15-11	Initial Delivered Lumens*	BUG Ratings** Per TM-15-11
A	3,430	B2 U3 G1	3,910	B2 U3 G2	3,910	B2 U3 G2
J	6,930	B3 U3 G2	7,500	B3 U3 G2	7,500	B3 U3 G2

* Initial delivered lumens at 25°C (77°F). Actual production yield may vary between -10 and +10% of initial delivered lumens
 ** For more information on the IES BUG (Backlight-Uplight-Glare) Rating visit: <https://www.ies.org/wp-content/uploads/2017/03/TM-15-11BUGRatingsAddendum.pdf>

© 2017 Cree, Inc. and/or one of its subsidiaries. All rights reserved. For informational purposes only. Content is subject to change. Patent www.cree.com/patents. Cree® and WaveMax® are registered trademarks, and the Cree logo and DiamondFacet™ are trademarks of Cree, Inc. The UL logo is a registered trademark of UL LLC. The DLC QPL logo and the DLC QPL Premium logo are registered trademarks of Northeast Energy Efficiency Partnerships Inc. OSRAM is a registered trademark of OSRAM GmbH. ENCELIUM® is a registered trademark of OSRAM SYLVANIA Inc.

US: lighting.cree.com

T (800) 236-6800 F (262) 504-5415

Canada: www.cree.com/canada



T (800) 473-1234 F (800) 890-7507



LUMINAIRE CUT SHEET
 100% CD
 10.16.2018

Wailuku Civic Hub
 Maui, HI
 Type: FE1

VANESSA LED

Wall Wash
Wet Location Luminaire

Ceiling Mount | CSS | Recessed



VANESSA combines high-end architectural styling with precision engineering to create a strong, elegant wet-location luminaire designed to complement wet exterior or interior installations.

The IP65 rated VANESSA Wall Wash delivers smooth and even illumination that reveals, accentuates and highlights wall features. Weather-sealing prevents water and moisture from entering the lens, power entry points and end-caps. Constructed of heavy gauge extruded aluminum, precision machined smooth end-caps and extruded acrylic lenses, VANESSA Wall Wash is built to last while withstanding elements associated with wet-location applications.

2 - 4 foot nominal lengths standard, continuous runs are available.



UL and c-UL listed for wet locations.



Made in the USA

FIXTURE SPECIFICATIONS

Construction

Heavy gauge square extruded aluminum housing. Precision-machined aluminum end-caps. Extruded acrylic clear lens. Stainless steel hardware. Concealed weather-seal gaskets at end caps, lens and power entry on all stand-alone or continuous run fixtures with an IP65 rating. Feed points accept 1/2" trade size threaded wet location conduit fittings.

Mounting

(CM) Ceiling Mount, (CSS) Cable Suspended and (REC) Recessed.

Finishes

(SL) Silver, (MW) Matte White, or (FB) Flat Black. Other powder coat finishes available. Consult factory for details.

LED Light Engine System

LED Light Engines are available as HLO (High Lumen Output) and SLO (Standard Lumen Output) providing efficient illumination. CLO (Custom Lumen Output) allows for end user specified lumen output or tailored wattage consumption for certain models. Consult factory for details.

Dimming

Dimming is available with a variety of control protocols and options. Consult factory for availability and specifications.

Acrylic Lens

Clear impact resistant extruded lens.

Fixture Length

Fixtures are available in 2' - 4' nominal lengths. Continuous run mounting available featuring water-sealed gaskets within knock-outs for maintaining WL rating. See installation section for more details.

Custom and Mods

We proudly specialize in manufacturing custom and modified luminaires and have the ability to modify most of our standard fixtures. Please contact factory with any inquiries.

V-1216

Birchwood Lighting • 2911 Dow Avenue • Tustin, CA 92780 • 714.550.7118 fax 714.550.7151

150



LUMINAIRE CUT SHEET
100% CD
10.16.2018

Wailuku Civic Hub
Maui, HI
Type: FE2

SPECIFICATION CODE

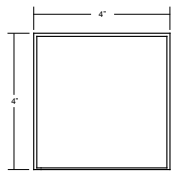
VAN-LED-WW-400

model light engine color temp length mounting feed finish voltage driver option option

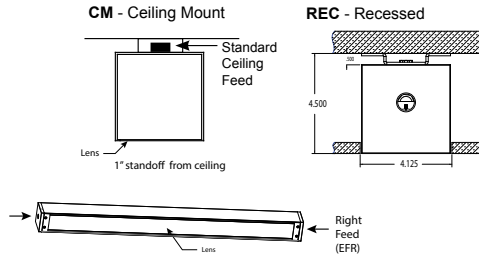
Model	Light Engine	Color Temp	Nominal Length	Mounting	Feed	Finish	Voltage	Driver	Options
VAN-LED-WW-400	SLO - Standard Lumen Output High	27 - 2700K 30 - 3000K 35 - 3500K 40 - 4000K	2 - 2' 3 - 3' 4 - 4' 6 - 6' ¹⁵ 8 - 8' ²⁵	CM - Ceiling Mount CSS - Cable Suspended	STND - Standard EFL - End Feed Left EFR - End Feed Right EF2 - End Feed (both ends) JBE - J-box extender	Powder Coat SMT - Silver Matte MW - Matte White FB - Flat Black CUP - Custom ²	120 277 347 ³	EB - Electronic (standard) Dimming D1 - 1% (nom) 0-10V D10 - 10% 0-10V	EM ⁴ - Emergency Inverter HAT - High Ambient Temperature

[CLO Calculator](#)

Dimensions



Mounting



NOTES

- 1 specify length in nominal feet
- 2 contact factory for custom finish
- 3 available for EB, D1, D10 drivers only
- 4 EM's are remote mounted along with the test switch in a dry location, consult factory for more info
- 5 6' & 8' lengths are made up with (2) 3' fixtures or (2) 4' fixtures respectively

VANESSA is rated for operation with ambient temperatures not to exceed 40°C. Use specification code "HAT" for applications where ambient will be between 40° and 45°C. The "HAT" option is a thermistor which will control internal temperatures so as not to exceed internal device maximum temperature. At certain temperature thresholds, fixture will dim light output to keep internal temperatures within the acceptable range. Available for EB, D1 and D10 drivers only, consult factory for more details.

*see [option sheet](#) for details

LED

VAN-LED-WW-400 (4000K FW lens)

SLO - 55.7 lm/watt delivered @ 4.4 w/ft consumed watts, 245 lm/ft.
HLO - 52.3 lm/watt delivered @ 9 w/ft consumed watts, 471 lm/ft.
CLO - refer to [CLO Calculator](#)
LED [supplement info](#)

V-1216

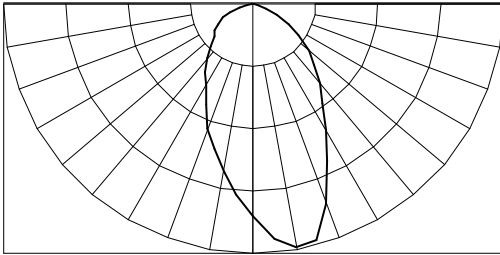


VANESSA LED

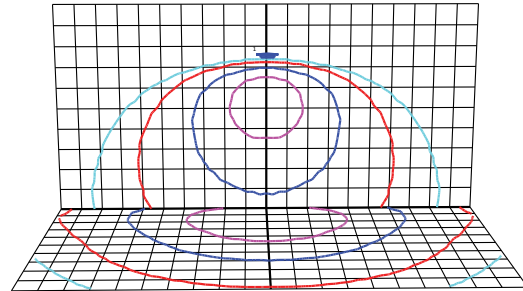
Wall Wash
Wet Location Luminaire

Ceiling Mount | CSS | Recessed

Photometrics



Maximum Candela = 1033.04 Located At Horizontal Angle = 10, Vertical Angle = 10
1 - Vertical Plane Through Horizontal Angles (0 - 180)



Gridscale = 1.0 ft per increment
1.0 fc 2.0 fc 5.0 fc 10.0 fc 20.0 fc 40.0 fc

Fixture is mounted at 8' height and 3' from the wall

V-1215

Birchwood Lighting • 2911 Dow Avenue • Tustin, CA 92780 • 714.550.7118 fax 714.550.7151



LUMINAIRE CUT SHEET
100% CD
10.16.2018

Wailuku Civic Hub
Maui, HI
Type: **FE2**

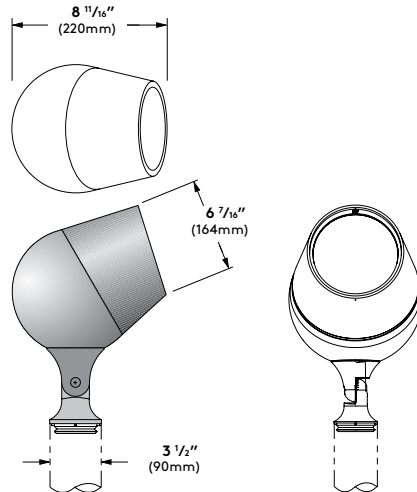
NOT USED



LUMINAIRE CUT SHEET
100% CD
10.16.2018

Wailuku Civic Hub
Maui, HI
Type: **FE3**

OLML-T1



Specifications

- 1. Luminaire Housing** - Two piece high pressure die cast housing, made of low copper aluminum alloy. Single recessed captive screw allows easy access to light engine & gear tray components.
- 2. Gasketing** - (not shown) UV and ozone-resistant silicone gasket between fixture housing and lens base provide IP67 level ingress protection. IP rated micro-membrane ensures pressure compensation.
- 3. Lens** - (not shown) Tempered clear glass lens.
- 4. LED Light Engine** - (not shown) made from high flux COB and vacuum metalized aluminum reflectors. Selux is using brand name LED manufacturers. Available in 3000K and 4000K, CRI minimum 80. Reflectors made from high purity aluminum to ensure high efficiencies throughout lifetime. Complete light engine can be removed easily for future upgrade. LED light engine provides a reported lumen maintenance of 84.3% at 60,000 hours. L70 calculated greater than 60,000 hours.
- 6. LED Driver** - (not shown) Selux uses brand name high efficiency LED drivers. LEDs are driven by RoHS compliant high-efficiency driver. Excellent for cold temperature starting and instant

on. Min. operating temperature -40°C/ -40°F.

- 7. Surge Protector** - (not shown) Designed to protect luminaire from electrical surge up to 10kA. Surge protection up to 20kA optional.
- 8. Power Cord** - (not shown) Pre-installed at factory and fed hidden through the luminaire hinge and hinge arm. Power cords are specified to fit the length of the pole specified with the luminaire.

Exterior Luminaire Finish -

Selux utilizes a high quality Polyester Powder Coating. All Selux luminaires and poles are finished in our Tiger Drylac certified facility and undergo a five stage intensive pretreatment process where product is thoroughly cleaned, phosphated and sealed. Selux powder coated products provide excellent salt and humidity resistance as well as ultra violet resistance for color retention. All products are tested in accordance with test specifications for coatings from ASTM and PCI.

Standard exterior colors are White (WH), Black (BK), Bronze (BZ), and Silver (SV). Selux premium colors (SP) are available, please specify from your Selux color selection guide. Hot Dip Galva-

nized finish (GV) on all steel parts also available.

5 Year Limited LED Luminaire Warranty - Selux offers a 5 Year Limited Warranty to the original purchaser that the Olivio Medio LED Solar luminaire shall be free from defects in material and workmanship for up to five (5) years from date of shipment. This limited warranty covers the LED driver and LED array when installed and operated according to Selux instructions. Fixture suitable for ambient temperature of 40° C (104° F).

Listings and Ratings: Luminaire and LED tested to IP67 and IESNA LM-79-08 standards. LED tested to LM-80 standards. Luminaire and LED tested at 25°C ambient temperature.

OLIVIO LED suitable for ambient temperatures of 40°C (104°F). Minimum operating temperature of luminaire at -40°C (-40°F).

NRTL Listed for wet location (i.e. UL, CSA)

Visit selux.us for our LED End of Life recycling policy.

Lumen Output for OLML

Olivio Medio LED	S09	F40	F80	ASM
3000K CRI>80	3208 lm CBCP 46602.8 cd	3263 lm CBCP 5273.9 cd	3010 lm CBCP 2052 cd	2068 lm CBCP 1678 cd
4000K CRI>80	3252 lm CBCP 47253cd	3308 lm CBCP 5347.6cd	3052 lm CBCP 2080.7cd	2820 lm CBCP 1970cd

Selux Corporation © 2017, T 845-834-1400, 800-735-8927, F 845-834-1401, www.selux.us
In a continuing effort to offer the best product possible, we reserve the right to change, without notice, specifications or materials that in our opinion will not alter the function of the product. Specification sheets found at www.selux.us are the most recent versions and supercede all other printed or electronic versions.

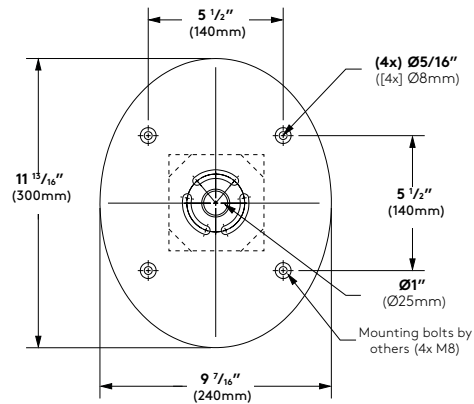
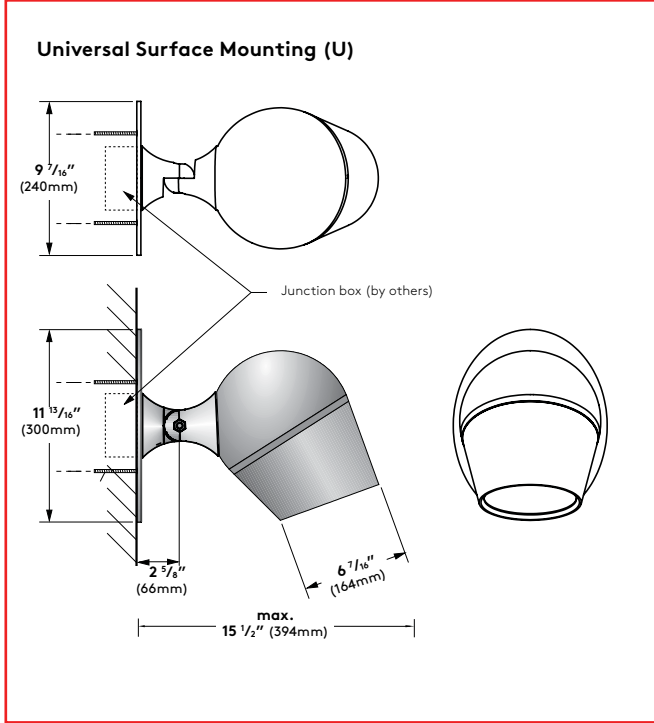
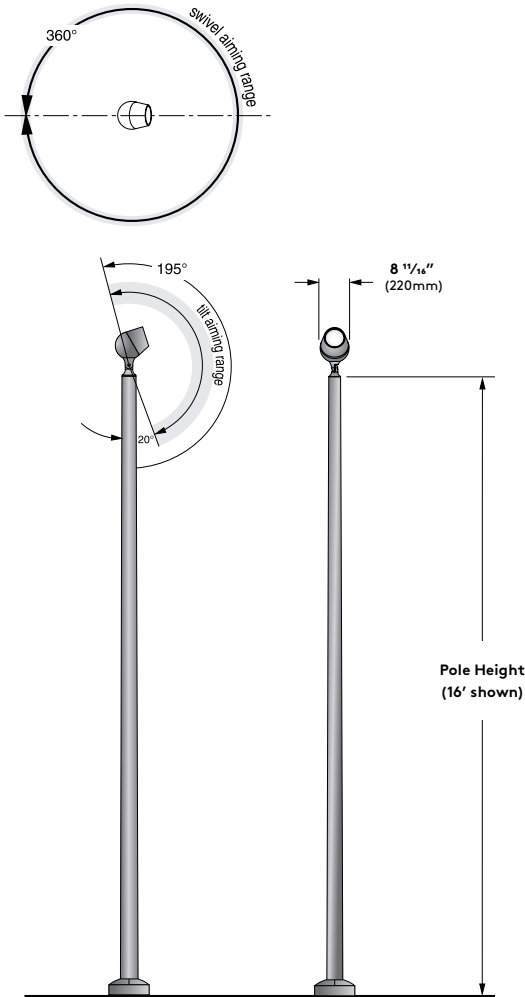


LUMINAIRE CUT SHEET
100% CD
10.16.2018

Wailuku Civic Hub
Maui, HI
Type: **FE4**

Mounting

Single Pole Top (T1)
 EPA = 0.7 ft² (0.065 m²)
 Weight = 17 lbs. (7.7 kg)

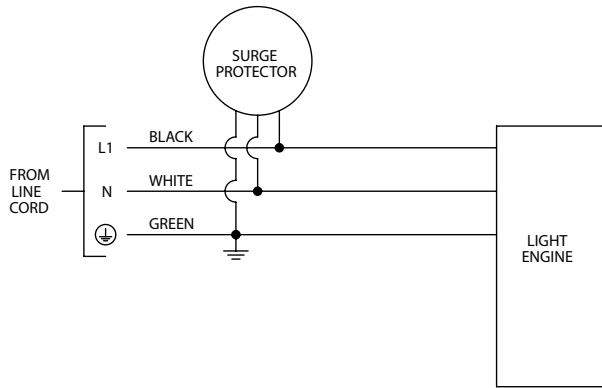


Note: Wall plate is mounted to surface structure and over junction box (by others)

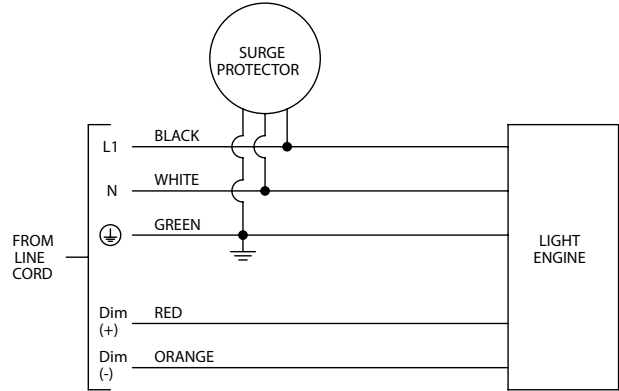


Wiring

Standard Single Wiring



0-10V Dimming Option (DM) Wiring
L46, 120-277V.



LUMINAIRE CUT SHEET
100% CD
10.16.2018

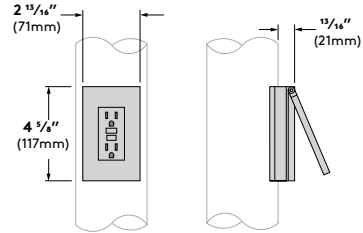
Wailuku Civic Hub
Maui, HI
Type: FE4

Options

Dark Sky 0° Tilt Option (DS) -Luminaire head tilt angle preset and fixed at factory to comply with IDA Dark Sky and BUG U0 ratings.

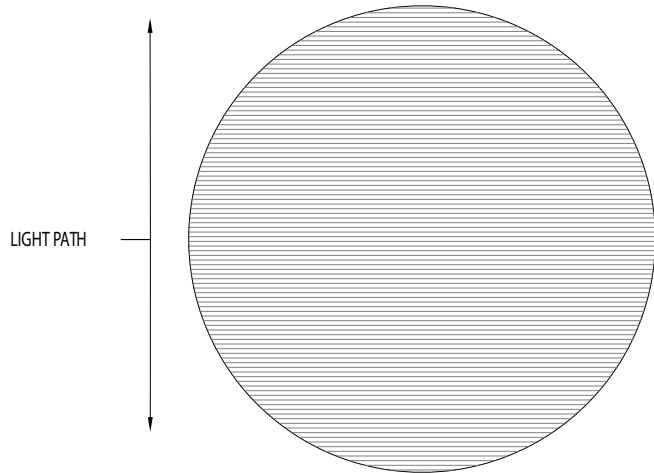
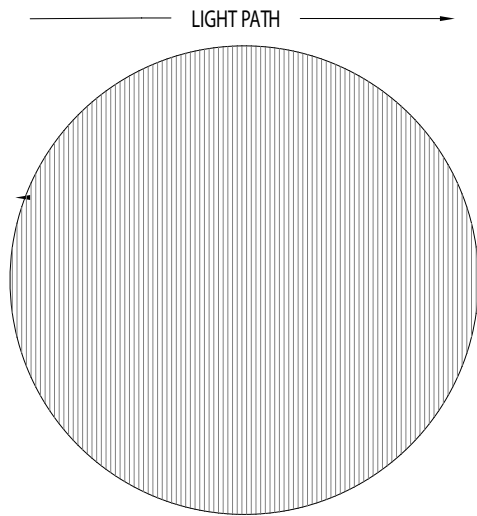
GFCI Receptacle (REC) - 120V GFCI duplex receptacle with cast base bolted to pole and gasketed, provided with weather-proof, self-closing cover; located 36" (915mm) from base of pole, inline with handhole. Receptacle is intended only for portable tools and other portable equipment to be connected to outlet only when attended by operating personnel. For in-use cover, please consult factory.

20kA Surge Protection (20kA) - Designed to protect luminaire from electrical surge up to 20kA.



Horizontal spread lens (SLH) - Spread lens for horizontal light distribution. Replaces clear lens and intended to be used with reflectors for S09, F40 or F80 distribution. Preset and fixed at factory.

Vertical spread lens (SLV) - Spread lens for vertical light distribution. Replaces clear lens and intended to be used with reflectors for S09, F40 or F80 distribution. Preset and fixed at factory.

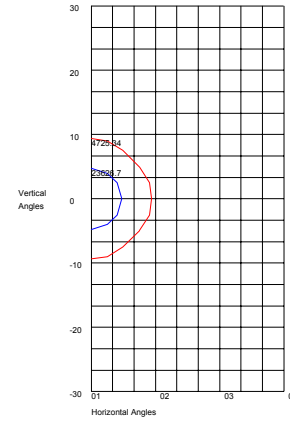
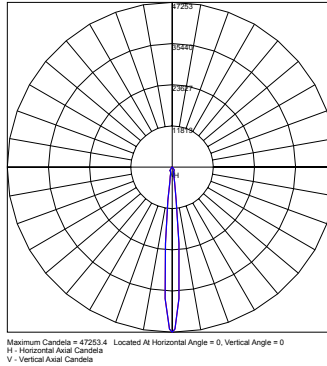


Photometry

S09 /44W LED / 4000K CCT

Catalog #: OLML-S09-L46-40-120
 Delivered Lumens: 3252
 Input Watts: 44W
 CRI: >83.5
 Maximum candela of 4725.4
 Maximum candela Angle 0H x 0V
 NEMA Classification: 1H x 1V
 Power Factor: 0.989
 Total Harmonic Distortion: 9.23%

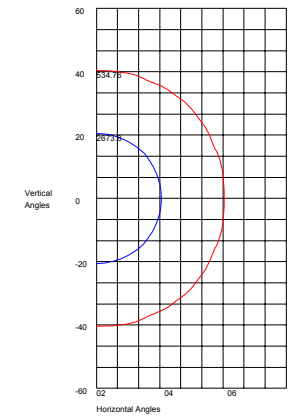
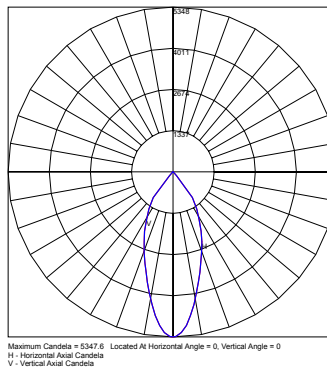
[Link to photometry \(PDF\)](#)
[Link to photometry \(IES\)](#)



F40 / 44W LED / 4000K CCT

Catalog #: OLML-F40-L46-40-120
 Delivered Lumens: 3308
 Input Watts: 44W
 CRI: >83.5
 Maximum candela of 5347.6
 Maximum candela Angle 0H x 0V
 NEMA Classification: 5H x 5V
 Power Factor: 0.989
 Total Harmonic Distortion: 9.23%

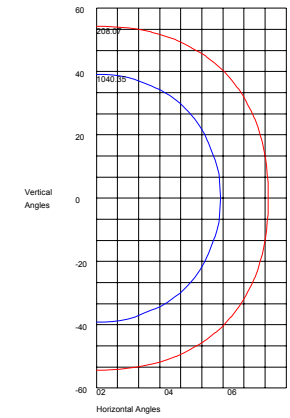
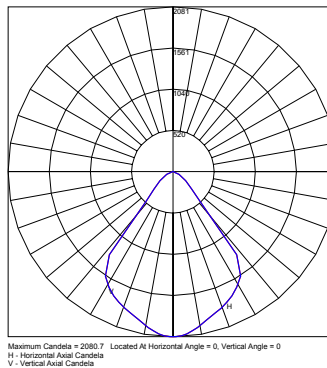
[Link to photometry \(PDF\)](#)
[Link to photometry \(IES\)](#)



F80 / 44W LED / 4000K CCT

Catalog #: OLML-F80-L46-40-120
 Delivered Lumens: 3052
 Input Watts: 44W
 CRI: >83.5
 Maximum candela of 2080.7
 Maximum candela Angle 0H x 0V
 NEMA Classification: 6H x 6V
 Power Factor: 0.989
 Total Harmonic Distortion: 9.23%

[Link to photometry \(PDF\)](#)
[Link to photometry \(IES\)](#)



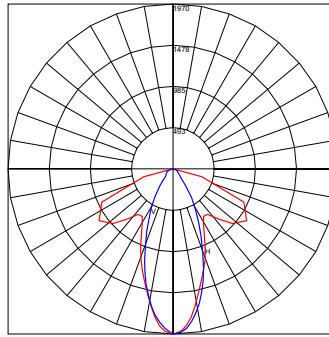
LUMINAIRE CUT SHEET
 100% CD
 10.16.2018

Wailuku Civic Hub
 Maui, HI
 Type: FE4

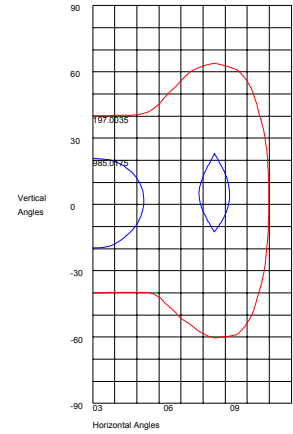
Photometry

ASM / 44W LED / 4000K CCT
 Catalog #: OLM-L-ASM-L46-40-120
 Delivered Lumens: 2428
 Input Watts: 44W
 CRI: >83.5
 Maximum candela of 1970.035
 Maximum candela Angle 0H x 0V
 NEMA Classification: 7H x 5V
 Power Factor: 0.989
 Total Harmonic Distortion: 9.23%

[Link to photometry \(PDF\)](#)
[Link to photometry \(IES\)](#)



Maximum Candela = 1970.035 Located At Horizontal Angle = 0, Vertical Angle = 0
 H - Horizontal Axial Candela
 V - Vertical Axial Candela



Maximum Candela = 1970.035 Located At Horizontal Angle = 0, Vertical Angle = 0
 50% Maximum Candela = 985.0175
 10% Maximum Candela = 197.0035

CCT Multiplier	
4000K	1.000
3000K	0.986

Conversion Chart	
Values based on 16' (4.9 m) mounting height	
Mounting Height	Multiply
10' (3.0 m)	1.27
12' (3.7 m)	1.16
14' (4.3 m)	1.07
16' (4.9 m)	1.00
18' (5.5 m)	0.84

CCT multipliers apply to the photometry, and IES files.

Selux Corporation

LED Lighting facts
A Program of the U.S. DOE

Light Output (Lumens) 3160
Watts 43.96
Lumens per Watt (Efficacy) 71.9

Color Accuracy 81
Color Rendering Index (CRI)

Light Color 3943 (Bright White)
Correlated Color Temperature (CCT)

2700K 3000K 4500K 6500K

LED Lumen Maintenance Projection 89.88%
at 36,000 Hours at 40°C Ambient*

Warranty** Yes

All results, except LED Lumen Maintenance, are according to IESNA LM-79-2008:
 Approved Method for the Electrical and Photometric Testing of Solid-State Lighting.
 The U.S. Department of Energy (DOE) verifies product test data and results.

* Based on TM-21 projections for the light source.
 ** See www.lightingfacts.com/products for details.

Registration Number: WVZA-CJF64Y (5/26/2015)
 Model Number: OLM-L-ASM-L46-40-120
 Type: Luminaire - Directional



LUMINAIRE CUT SHEET
 100% CD
 10.16.2018

Wailuku Civic Hub
 Maui, HI
 Type: FE4

BeveLED^{2.1}



PROJECT INFORMATION

PROJECT _____

 DATE _____
 TYPE _____

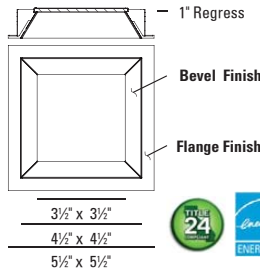
3110 DOWNLIGHT

BeveLED 2.1 Recessed Downlight - BeveLED 2.1 is the most complete recessed LED downlight product family available from USAI Lighting, now with more BeveLED trim finishes, LED classic white color temperatures, innovative housing styles, and dimming driver options than before. With industry-leading performance, BeveLED 2.1 can provide a solution for any project - commercial, corporate and residential installations.

1" REGRESS DOWNLIGHT



1" Regress



DELIVERED PERFORMANCE

BeveLED 2.1 1" REGRESS DOWNLIGHT	9 Watts		12 Watts		16 Watts		24 Watts		33 Watts		36 Watts	
	80+ CRI	90+ HIGH CRI	80+ CRI	90+ HIGH CRI	80+ CRI	90+ HIGH CRI	80+ CRI	90+ HIGH CRI	80+ CRI	90+ HIGH CRI	80+ CRI	90+ HIGH CRI
Color Rendering Index	80+ CRI	90+ HIGH CRI	80+ CRI	90+ HIGH CRI	80+ CRI	90+ HIGH CRI	80+ CRI	90+ HIGH CRI	80+ CRI	90+ HIGH CRI	80+ CRI	90+ HIGH CRI
Lumens per Watt	100	74	93	73	93	72	86	67	77	62	100	78
Source Lumens	1150	900	1300	1025	1725	1350	2400	1875	3025	2350	4150	3250
Delivered Lumens	850	675	1125	875	1475	1150	2050	1600	2600	2025	3450	2700
Color Consistency	2-Step MacAdam Ellipse											

Performance based on 3000K

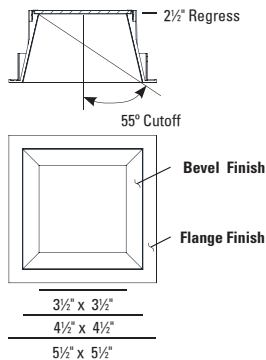
CCT MULTIPLIER	2200K		2700K		3000K		3500K		4000K	
Color Rendering Index	80+ CRI	80+ CRI	90+ HIGH CRI	80+ CRI	90+ HIGH CRI	80+ CRI	80+ CRI	80+ CRI	80+ CRI	80+ CRI
Multiplier for Lumen Output	0.72	0.94	0.78	1.00	.78	1.00	1.00	1.06		

90+ CRI is not available for 2200K, 3500K, or 4000K

DEEP REGRESS DOWNLIGHT



Deep Regress



DELIVERED PERFORMANCE

BeveLED 2.1 DEEP REGRESS DOWNLIGHT	9 Watts		12 Watts		16 Watts		24 Watts		33 Watts		36 Watts	
	80+ CRI	90+ HIGH CRI	80+ CRI	90+ HIGH CRI	80+ CRI	90+ HIGH CRI	80+ CRI	90+ HIGH CRI	80+ CRI	90+ HIGH CRI	80+ CRI	90+ HIGH CRI
Color Rendering Index	80+ CRI	90+ HIGH CRI	80+ CRI	90+ HIGH CRI	80+ CRI	90+ HIGH CRI	80+ CRI	90+ HIGH CRI	80+ CRI	90+ HIGH CRI	80+ CRI	90+ HIGH CRI
Lumens per Watt	76	60	75	58	74	58	68	53	63	49	85	66
Source Lumens	1150	900	1300	1025	1725	1350	2400	1875	3025	2350	4150	3250
Delivered Lumens	675	550	900	700	1175	925	1650	1275	2075	1625	2950	2300
Color Consistency	2-Step MacAdam Ellipse											

Performance based on 3000K

CCT MULTIPLIER	2200K		2700K		3000K		3500K		4000K	
Color Rendering Index	80+ CRI	80+ CRI	90+ HIGH CRI	80+ CRI	90+ HIGH CRI	80+ CRI	80+ CRI	80+ CRI	80+ CRI	80+ CRI
Multiplier for Lumen Output	0.72	0.94	0.78	1.00	.78	1.00	1.00	1.06		

90+ CRI is not available for 2200K, 3500K, or 4000K



www.usalighting.com
 info@usalighting.com

1126 River Road
 New Windsor, NY 12553

T 845-565-8500
 F 845-561-1130

©2015, USAI, LLC.
 All rights reserved.
 All designs protected by copyright.
 Revised 12/19/2017



LUMINAIRE CUT SHEET
 100% CD
 10.16.2018

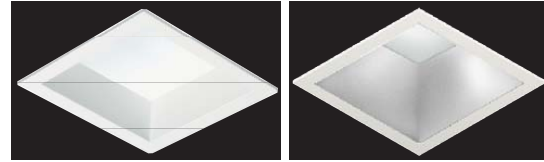
Wailuku Civic Hub
 Maui, HI
 Type: FE5

BeveLED^{2.1}



ORDERING INFORMATION

3110 DOWNLIGHT



1" REGRESS

DEEP REGRESS

HOW TO SPECIFY

Ordering Example: Specify trim code and housing code to order: **3110W - B1 - S - 10 - LSTD4 - 9012 - C3 - 27KS - 50 - NC - 277V - DIML2 - CB27**

TRIM ORDERING INFORMATION

TRIM	OPTION	BEVEL STYLE	LENS	FLANGE FINISH
3110				
1" REGRESS DOWNLIGHT				
3110 Square Downlight 1" Regress	W	Wet location ¹	S Solite (provided standard) F Frosted	01 Clear Matte (AC Bevel only) 02 Black Anodized (AB Bevel Only) 10 White 13 Statuary Bronze 21 Black 28 Metalized Grey RAL Custom Color (specify RAL #)
	EML	Integral Emergency Test Switch ²		
	TZ	6" TechZone ceiling compatible (NCSM only) N/A with 01 or 02 flange finishes.		
DEEP REGRESS DOWNLIGHT				
3110 Square Downlight Deep Regress	W	Wet location ¹	B2 2-1/2" Regress Bevel, Painted Die Cast Matches Flange Finish AB2 2-1/2" Regress Bevel, Black Anodized AC2 2-1/2" Regress Bevel, Clear Matte Anodized	
	EML	Integral Emergency Test Switch ²		
		¹ Wet location, use with B1 and B2 trims only. ² See table on page 3.		



HOUSING ORDERING INFORMATION

HOUSING CODE	WATTAGE	ENGINE CODE	COLOR	REFLECTOR	HOUSING TYPE	SELECT ONE VOLTAGE	DIMMING DRIVER OPTIONS	ACCESSORIES	
LSTD4									
LSTD4	9009 9W LED	C3	22KS 2200K, 80+ CRI ³	1" REGRESS DOWNLIGHT		120V 277V	For use with 120V or 277V DIML2 0-10V dim, 10% (provided standard) DIML4 Lutron A-3-wire/ECO, 1% DIML4E Lutron 5 ECO, 5% ⁵ DIML4H Lutron H ECO, 1% Fade ⁵ DIML6A EldoLED 0-10V, 0.1%, logarithmic / Lutron controls DIML6B EldoLED 0-10V Linear, 0.1%, linear controls DIML6E EldoLED 0-10V, 1%, logarithmic/Lutron controls DIML6F EldoLED 0-10V, 1%, linear controls DIML7 EldoLED DALI, 0.1% DIML8 EldoLED DMX, 0.1% ^{6,7}	1" REGRESS DOWNLIGHT CB27 27" C-Channel Bars CB52 52" C-Channel Bars EML Emergency battery ⁹ EMLW Emergency battery, wet location ⁹ TZ 6" TechZone ceiling compatible ¹⁰	
	9012 12W LED		27KS 2700K, 80+ CRI	25 25° beam	FT Flat Housing New Construction				120V 277V
	9016 16W LED	E1	30KS 3000K, 80+ CRI	50 50° beam	FTIC Flat Housing IC-Rated/Airtight (up to 16W maximum)	120V		For use with 120V only DIML3 Lutron A 2-wire, 1% 120V only DIML19 Phase 2-wire dimming, 1% 120V only ^{5,6,8}	
	9024 24W LED		40KS 4000K, 80+ CRI	90 90° beam	FTCP Flat Housing Chicago Plenum				347V
	9033 33W LED	See performance chart for precise lumen information.	27KH 2700K, 90+ CRI	DEEP REGRESS DOWNLIGHT		347V		For use with 347V only DIML15 0-10V dim, 1% 347 only	
	9036 36W LED		30KH 3000K, 90+ CRI	C25 25° beam Comfort Cutoff	NC New Construction, all in one				See emergency solutions chart for EM options with these housings
			2 Step MacAdam ellipse is standard for all	C40 40° beam Comfort Cutoff	CP Chicago Plenum	⁵ N/A with 9W ⁶ N/A with 33W ⁷ N/A with FT, FTIC or FTCP housing ⁸ N/A with E1 light engine			
				C70 70° beam Comfort Cutoff	IC Insulation-Contact Rated / Airtight ⁴				
				³ Not available with E1 light engine					



www.usailighting.com
info@usailighting.com

1126 River Road
New Windsor, NY 12553

T 845-565-8500
F 845-561-1130

©2015, USAI, LLC.
All rights reserved.
All designs protected by copyright.
Revised 12/19/2017

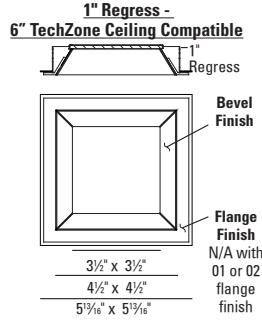
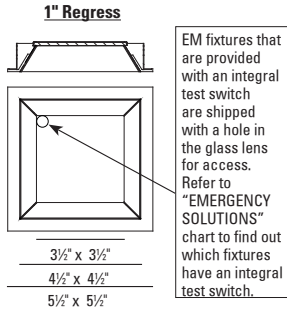


LUMINAIRE CUT SHEET
100% CD
10.16.2018

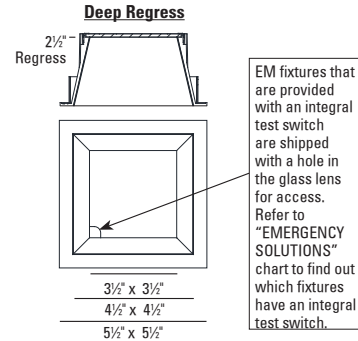
Wailuku Civic Hub
Maui, HI
Type: FE5

TRIM INFORMATION

1" REGRESS DOWNLIGHT TRIMS



DEEP REGRESS DOWNLIGHT TRIM



3110 - 1" Regress Emergency Solutions

Housing	EM SERVICE	Integral Test Switch	Remote Test Switch	Inverter By Others
FT, FTIC, FTCP	N/A			X
NCSM*	Above ceiling access required		X	X
NC	Through aperture	X		X
NC Wet Location	Through aperture		X	X
CP	N/A			X
IC	N/A			X

3110 - Deep Regress Emergency Solutions

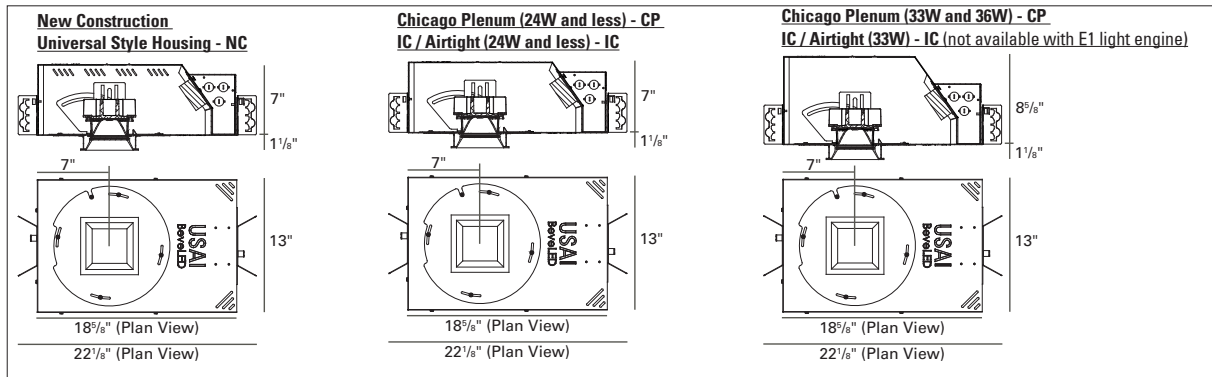
Housing	EM SERVICE	Integral Test Switch	Remote Test Switch	Inverter By Others
NC	Through aperture	X		X
NC Wet Location	Through aperture		X	X
CP	N/A			X
IC	N/A			X

* NCSM + DIML8 cannot be offered with EM, 347V cannot be offered with EM

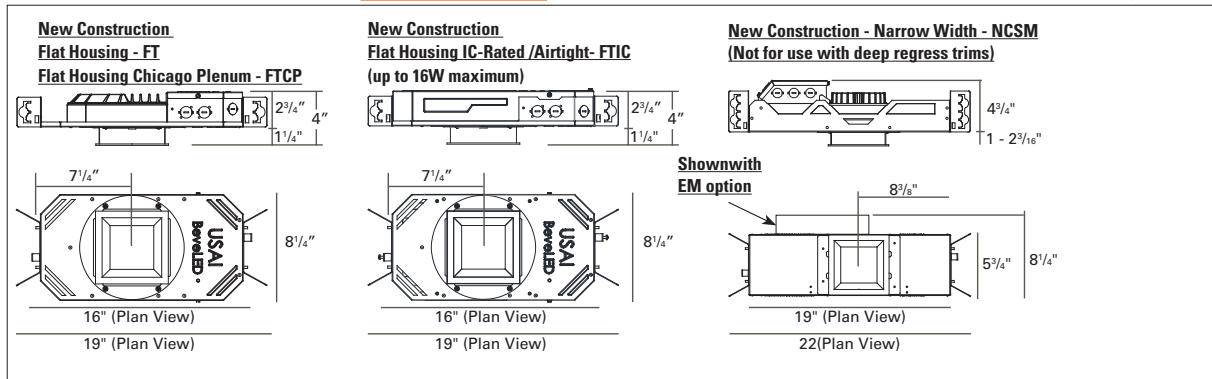
* 347V cannot be offered with EM

HOUSING INFORMATION

NC, IC and CP HOUSINGS BELOW ARE FOR USE WITH 1" REGRESS TRIMS & DEEP REGRESS TRIMS



HOUSINGS BELOW ARE FOR USE WITH 1" REGRESS TRIMS ONLY (FT, FTIC, FTCP AND NCSM ARE NOT AVAILABLE FOR USE WITH DEEP REGRESS)



www.usalighting.com
info@usalighting.com

1126 River Road
New Windsor, NY 12553

T 845-565-8500
F 845-561-1130

© 2015, USAI, LLC.
All rights reserved.
All designs protected by copyright.
Revised 12/19/2017



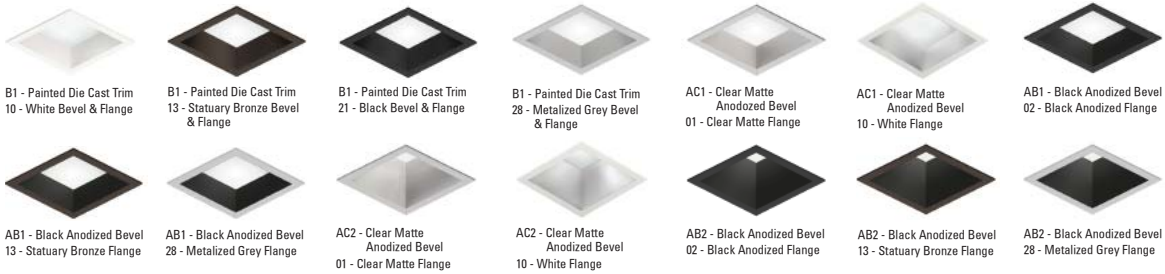
LUMINAIRE CUT SHEET
100% CD
10.16.2018

Wailuku Civic Hub
Maui, HI
Type: FE5

SPECIFICATIONS

TRIM: 4-1/2" square aperture with a 1" regress or deep regress bevel and 1/2" flange, retained by two mounting clips. Die cast aluminum bevel is available in white, statuary bronze, black, and metalized gray painted finishes, with flange painted to match. Also available in black or clear matte anodized finishes, with self-finish or contrasting painted flange. Custom colors are available (provide RAL#). Trim is shipped with a solite lens provided standard.

Some examples of standard trim finish options for 3110 are shown below:



FIELD REPLACEABLE LED LIGHT ENGINE: is serviceable through the aperture without tools. All USAI Lighting Classic White light engines feature industry leading color consistency within a 2-Step MacAdam's ellipse. 2200K is not available with E1 light engine.

FIELD REPLACEABLE DIMMING DRIVER: 0-10V, 100%-10% solid state electronic constant current DIML2 dimming driver with a high power factor provided standard and sources 2mA. Specify 120V or 277V. Driver complies with IEEE62.41 surge protection. Multiple dimming driver options are available; some on-time delay may be experienced, depending on control system used.

EMERGENCY: Fixtures provided with an integral test switch are provided with a hole in the glass lens as per drawing. Fixtures provided with a remote test switch are provided with a 24" lead length for location of the test switch. Fixtures that have no USAI EM option may be connected to an inverter (by others) for emergency lighting. **SPECIAL NOTE FOR NCSM HOUSING:** DIML8 cannot be combined with EM options in NCSM housing. See emergency solutions chart for more information on EM test switches and servicing.

HOUSING: 1" regress fixture housing options are NC, IC, CP, FT, FTIC, FTCP and NCSM. DEEP regress fixture housing options are NC, IC, and CP only. FT, FTIC, FTCP and NCSM housings are not available with DEEP regress trims. All-Ways Square® (covered by US Pat. No: US 7,832,889) housing allows alignment of square aperture (up to 20° rotation) after housing installation and prior to finish ceiling installation. Fabricated of 20 ga. galvanized steel with thru wire J-box, 4 in 4 out at min. 90°C, #12 AWG thru branch circuit wiring. FTIC housing is IC-rated up to 16W maximum. IC-rated housings for use with 9W, 12W, and 16W light engines only are rated for direct contact with spray foam insulation of R-42 or less. IC rated housing is not available with E1 light engine. NCSM with TZ option is compatible with 6" TechZone ceiling systems. When using DIML8, NCSM housing can NOT be used with thru-branch circuit wiring.

MOUNTING: Butterfly brackets and adjustable nailer bars with integral nails provided. Nailers are extendible from 14" to 24" centers. C-channel bars are optionally available for acoustical ceiling applications.

MAXIMUM CEILING THICKNESS: As noted on housing drawings.

CEILING CUT OUT: 5-1/16" x 5-1/16"

WARRANTY: Based on IESNA LM80-2008, BeveLED 2.1 has a 50,000 hour rated life at 70% lumen maintenance (L70). USAI Lighting Warranty covers replacement parts for 5 years from date of shipment.

LISTINGS: Dry/Damp. Wet location option available with B1 trim only. NRTL/CSA-US tested to UL standards. IBEW union made. Energy Star Qualified under Luminaires Specification V2.0. Please see Energy Star website for exact model #s included in the listing. Please note that the following options are not Energy Star qualified: 22KS, 27KH, and 30KH light engines; E1 light engines; B-13, B-21, and AB trim styles; Frosted lens and EM options. CEC/ Title 24 Compliant up to 16W maximum. See CEC website for exact models included.

NOTES:

- Not for use in corrosive environment.
- Use of pressure washer voids warranty.

PHOTOMETRICS: Consult factory or website for IES files. Tested in accordance with IESNA LM79.



DELIVERED PERFORMANCE

3110 / 3311 16W 30KS 25° 1" Regress

Coefficients Of Utilization - Zonal Cavity Method

Effective Floor Cavity Reflectance: 20%

RCC %:	80				70				50				30				10				0			
RW %:	70	50	30	0	70	50	30	0	50	30	20	0	50	30	20	0	50	30	20	0	50	30	20	0
RCR: 0	1.19	1.19	1.19	1.19	1.16	1.16	1.16	1.00	1.11	1.11	1.11	1.11	1.06	1.06	1.06	1.02	1.02	1.02	1.02	1.02	1.02	1.02	1.02	1.02
1	1.13	1.10	1.08	1.06	1.11	1.08	1.06	.94	1.04	1.02	1.01	1.01	1.01	.99	.98	.97	.96	.95	.95	.93	.93	.92	.92	.86
2	1.08	1.03	.99	.95	1.05	1.01	.97	.87	.98	.95	.92	.92	.95	.92	.90	.92	.90	.88	.88	.86	.86	.84	.82	.80
3	1.02	.96	.91	.87	1.00	.94	.90	.81	.92	.88	.84	.84	.89	.86	.83	.87	.84	.82	.82	.80	.80	.78	.76	.75
4	.97	.89	.84	.80	.95	.88	.83	.76	.86	.82	.78	.78	.84	.80	.77	.82	.79	.76	.76	.75	.75	.74	.71	.70
5	.92	.84	.78	.74	.91	.83	.77	.71	.81	.76	.73	.73	.79	.75	.72	.78	.74	.74	.74	.71	.71	.70	.67	.65
6	.88	.79	.73	.69	.86	.78	.72	.67	.76	.72	.68	.68	.75	.71	.67	.74	.70	.70	.70	.67	.67	.66	.63	.62
7	.84	.74	.68	.64	.82	.74	.68	.63	.72	.67	.64	.64	.71	.67	.63	.70	.66	.66	.66	.63	.63	.62	.59	.58
8	.80	.70	.64	.60	.78	.70	.64	.59	.69	.63	.60	.60	.68	.63	.60	.67	.62	.62	.62	.59	.59	.58	.55	.55
9	.76	.67	.61	.57	.75	.66	.60	.56	.65	.60	.56	.56	.64	.60	.56	.63	.59	.59	.59	.56	.56	.55	.52	.52
10	.73	.63	.58	.54	.72	.63	.57	.53	.62	.57	.53	.53	.61	.57	.53	.60	.56	.56	.56	.53	.53	.52	.50	.50

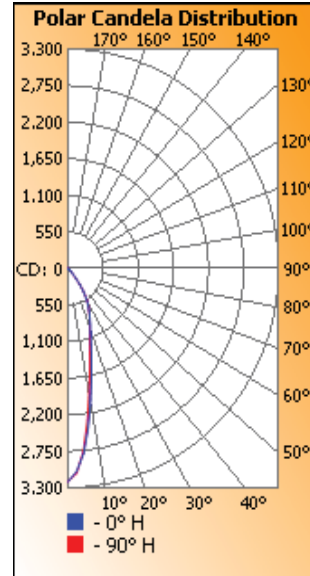
Zonal Lumen Summary

Zone	Lumens	% Luminaire
0-30	1,001.9	67.6%
0-40	1,309.7	88.3%
0-60	1,450.7	97.9%
60-90	31.7	2.1%
70-100	12.1	0.8%
90-120	0	0%

Illuminance at a Distance

	Center Beam fc	Beam Width
2.0R	804.4 fc	0.9 ft 0.9 ft
4.0R	201.1 fc	1.9 ft 1.7 ft
6.0R	89.4 fc	2.8 ft 2.6 ft
8.0R	50.3 fc	3.8 ft 3.5 ft
10.0R	32.2 fc	4.7 ft 4.3 ft
12.0R	22.3 fc	5.6 ft 5.2 ft
14.0R	16.4 fc	6.6 ft 6.1 ft
16.0R	12.6 fc	7.5 ft 6.9 ft

Vert. Spread: 26.4°
Horiz. Spread: 24.5°



3110 / 3311 33W 30KS 25° 1" Regress

Coefficients Of Utilization - Zonal Cavity Method

Effective Floor Cavity Reflectance: 20%

RCC %:	80				70				50				30				10				0			
RW %:	70	50	30	0	70	50	30	0	50	30	20	0	50	30	20	0	50	30	20	0	50	30	20	0
RCR: 0	1.19	1.19	1.19	1.19	1.16	1.16	1.16	1.00	1.11	1.11	1.11	1.11	1.06	1.06	1.06	1.02	1.02	1.02	1.02	1.02	1.02	1.02	1.02	1.02
1	1.13	1.10	1.08	1.06	1.11	1.08	1.06	.94	1.04	1.02	1.01	1.01	1.01	.99	.98	.97	.96	.95	.95	.93	.93	.92	.92	.86
2	1.08	1.03	.99	.95	1.05	1.01	.97	.87	.98	.95	.92	.92	.95	.92	.90	.92	.90	.88	.88	.86	.86	.84	.82	.80
3	1.02	.96	.91	.87	1.00	.94	.90	.81	.92	.88	.84	.84	.89	.86	.83	.87	.84	.82	.82	.80	.80	.78	.76	.75
4	.97	.89	.84	.80	.95	.88	.83	.76	.86	.82	.78	.78	.84	.80	.77	.82	.79	.76	.76	.75	.75	.74	.71	.70
5	.92	.84	.78	.74	.91	.83	.77	.71	.81	.76	.73	.73	.79	.75	.72	.78	.74	.74	.74	.71	.71	.70	.67	.65
6	.88	.79	.73	.69	.86	.78	.72	.67	.76	.72	.68	.68	.75	.71	.67	.74	.70	.70	.70	.67	.67	.66	.63	.62
7	.84	.74	.68	.64	.82	.74	.68	.63	.72	.67	.64	.64	.71	.67	.63	.70	.66	.66	.66	.63	.63	.62	.59	.58
8	.80	.70	.64	.60	.78	.70	.64	.59	.69	.63	.60	.60	.68	.63	.60	.67	.62	.62	.62	.59	.59	.58	.55	.55
9	.76	.67	.61	.57	.75	.66	.60	.56	.65	.60	.56	.56	.64	.60	.56	.63	.59	.59	.59	.56	.56	.55	.52	.52
10	.73	.63	.58	.54	.72	.63	.57	.53	.62	.57	.53	.53	.61	.57	.53	.60	.56	.56	.56	.53	.53	.52	.50	.50

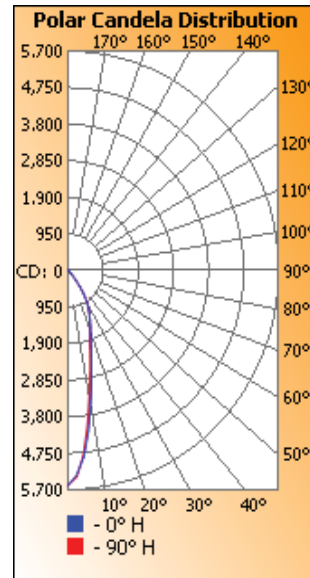
Zonal Lumen Summary

Zone	Lumens	% Luminaire
0-30	1,745.5	67.6%
0-40	2,281.6	88.3%
0-60	2,527.3	97.9%
60-90	55.3	2.1%
70-100	21.0	0.8%
90-120	0	0%

Illuminance at a Distance

	Center Beam fc	Beam Width
2.0R	1,401.4 fc	0.9 ft 0.9 ft
4.0R	350.4 fc	1.9 ft 1.7 ft
6.0R	155.7 fc	2.8 ft 2.6 ft
8.0R	87.6 fc	3.8 ft 3.5 ft
10.0R	56.1 fc	4.7 ft 4.3 ft
12.0R	38.9 fc	5.6 ft 5.2 ft
14.0R	28.6 fc	6.6 ft 6.1 ft
16.0R	21.9 fc	7.5 ft 6.9 ft

Vert. Spread: 26.4°
Horiz. Spread: 24.5°



DELIVERED PERFORMANCE

3110 / 3311 16W 30KS 50° 1" Regress

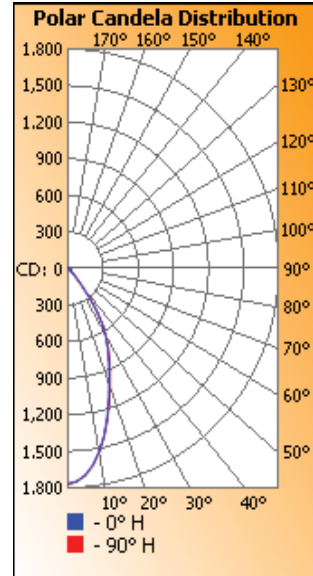
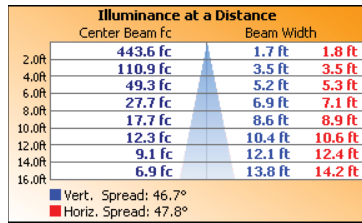
Coefficients Of Utilization - Zonal Cavity Method

Effective Floor Cavity Reflectance: 20%

RCC %:	80				70				50				30				10				0			
RW %:	70	50	30	0	70	50	30	0	50	30	20	0	50	30	20	0	50	30	20	0	50	30	20	0
RCR: 0	1.19	1.19	1.19	1.19	1.16	1.16	1.16	1.00	1.11	1.11	1.11	1.11	1.06	1.06	1.06	1.02	1.02	1.02	1.02	1.02	1.00	1.00	1.00	1.00
1	1.13	1.10	1.07	1.05	1.11	1.08	1.06	.93	1.04	1.02	1.00	1.00	.99	.97	.97	.96	.94	.94	.94	.93	.93	.93	.93	.93
2	1.07	1.02	.98	.94	1.05	1.00	.96	.86	.97	.94	.91	.94	.91	.89	.89	.88	.87	.87	.87	.85	.85	.85	.85	.85
3	1.01	.94	.89	.85	.99	.93	.88	.80	.90	.86	.83	.88	.84	.82	.82	.81	.80	.80	.80	.79	.79	.79	.79	.79
4	.96	.88	.82	.78	.94	.87	.81	.74	.84	.80	.76	.82	.78	.75	.75	.74	.73	.73	.73	.73	.73	.73	.73	.73
5	.91	.82	.76	.71	.89	.81	.75	.69	.79	.74	.70	.77	.73	.70	.70	.69	.68	.68	.68	.67	.67	.67	.67	.67
6	.86	.77	.70	.66	.84	.76	.70	.64	.74	.69	.65	.73	.68	.65	.65	.64	.63	.63	.63	.63	.63	.63	.63	.63
7	.82	.72	.66	.61	.80	.71	.65	.60	.70	.65	.61	.69	.64	.60	.60	.59	.58	.58	.58	.58	.58	.58	.58	.58
8	.77	.68	.61	.57	.76	.67	.61	.56	.66	.60	.57	.65	.60	.56	.56	.55	.54	.54	.54	.54	.54	.54	.54	.54
9	.74	.64	.57	.53	.72	.63	.57	.53	.62	.57	.53	.61	.56	.53	.53	.52	.51	.51	.51	.51	.51	.51	.51	.51
10	.70	.60	.54	.50	.69	.60	.54	.49	.59	.54	.50	.58	.53	.50	.50	.49	.48	.48	.48	.48	.48	.48	.48	.48

Zonal Lumen Summary

Zone	Lumens	% Luminaire
0-30	927.0	64.5%
0-40	1,252.7	87.2%
0-60	1,402.0	97.6%
60-90	34.9	2.4%
70-100	13.1	0.9%
90-120	0	0%



3110 / 3311 33W 30KS 50° 1" Regress

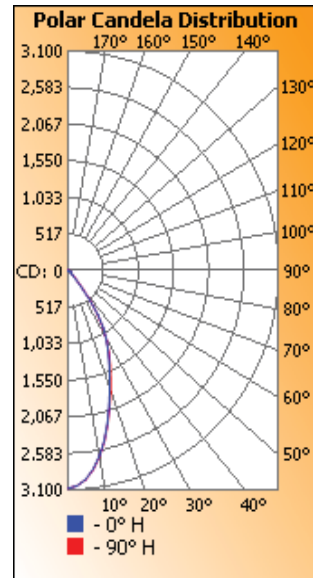
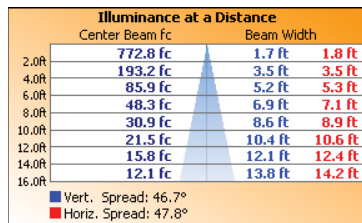
Coefficients Of Utilization - Zonal Cavity Method

Effective Floor Cavity Reflectance: 20%

RCC %:	80				70				50				30				10				0			
RW %:	70	50	30	0	70	50	30	0	50	30	20	0	50	30	20	0	50	30	20	0	50	30	20	0
RCR: 0	1.19	1.19	1.19	1.19	1.16	1.16	1.16	1.00	1.11	1.11	1.11	1.11	1.06	1.06	1.06	1.02	1.02	1.02	1.02	1.02	1.00	1.00	1.00	1.00
1	1.13	1.10	1.07	1.05	1.11	1.08	1.06	.93	1.04	1.02	1.00	1.00	.99	.97	.97	.96	.94	.94	.94	.93	.93	.93	.93	.93
2	1.07	1.02	.98	.94	1.05	1.00	.96	.86	.97	.94	.91	.94	.91	.89	.89	.88	.87	.87	.87	.85	.85	.85	.85	.85
3	1.01	.94	.89	.85	.99	.93	.88	.80	.90	.86	.83	.88	.84	.82	.82	.81	.80	.80	.80	.79	.79	.79	.79	.79
4	.96	.88	.82	.78	.94	.87	.81	.74	.84	.80	.76	.82	.78	.75	.75	.74	.73	.73	.73	.73	.73	.73	.73	.73
5	.91	.82	.76	.71	.89	.81	.75	.69	.79	.74	.70	.77	.73	.70	.70	.69	.68	.68	.68	.67	.67	.67	.67	.67
6	.86	.77	.70	.66	.84	.76	.70	.64	.74	.69	.65	.73	.68	.65	.65	.64	.63	.63	.63	.63	.63	.63	.63	.63
7	.82	.72	.66	.61	.80	.71	.65	.60	.70	.65	.61	.69	.64	.60	.60	.59	.58	.58	.58	.58	.58	.58	.58	.58
8	.77	.68	.61	.57	.76	.67	.61	.56	.66	.60	.57	.65	.60	.56	.56	.55	.54	.54	.54	.54	.54	.54	.54	.54
9	.74	.64	.57	.53	.72	.63	.57	.53	.62	.57	.53	.61	.56	.53	.53	.52	.51	.51	.51	.51	.51	.51	.51	.51
10	.70	.60	.54	.50	.69	.60	.54	.49	.59	.54	.50	.58	.53	.50	.50	.49	.48	.48	.48	.48	.48	.48	.48	.48

Zonal Lumen Summary

Zone	Lumens	% Luminaire
0-30	1,615.0	64.5%
0-40	2,182.4	87.2%
0-60	2,442.6	97.6%
60-90	60.8	2.4%
70-100	22.8	0.9%
90-120	0	0%



BeveLED^{2.1}



DELIVERED PERFORMANCE

3110 / 3311 16W 30KS 90° 1" Regress

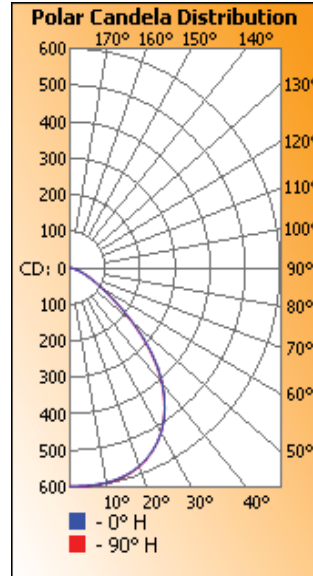
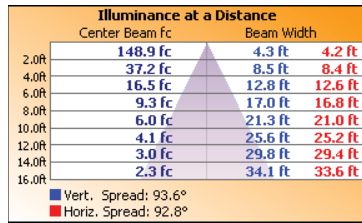
Coefficients Of Utilization - Zonal Cavity Method

Effective Floor Cavity Reflectance: 20%

RCC %:	80				70				50				30				10				0			
RW %:	70	50	30	0	70	50	30	0	50	30	20	10	0	50	30	20	10	0	50	30	20	10	0	
RCR: 0	1.19	1.19	1.19	1.19	1.16	1.16	1.16	1.00	1.11	1.11	1.11	1.11	1.06	1.06	1.06	1.02	1.02	1.02	1.00	1.00	1.00	1.00	1.00	
1	1.11	1.07	1.04	1.01	1.09	1.05	1.02	.89	1.01	.99	.96	.97	.95	.93	.94	.92	.91	.89	.89	.88	.87	.86	.85	
2	1.03	.96	.91	.86	1.01	.95	.89	.79	.91	.87	.83	.88	.84	.81	.85	.82	.80	.78	.78	.77	.76	.75	.74	
3	.95	.87	.80	.74	.93	.85	.79	.69	.82	.77	.72	.80	.75	.71	.77	.73	.70	.68	.68	.67	.66	.65	.64	
4	.88	.78	.71	.65	.86	.77	.70	.62	.74	.68	.64	.72	.67	.63	.70	.66	.62	.60	.60	.59	.58	.57	.56	
5	.82	.71	.63	.57	.80	.70	.62	.55	.68	.61	.56	.66	.60	.56	.64	.59	.55	.53	.53	.52	.51	.50	.49	
6	.76	.64	.56	.51	.74	.63	.56	.49	.62	.55	.50	.60	.54	.50	.59	.53	.49	.47	.47	.46	.45	.44	.43	
7	.71	.59	.51	.45	.69	.58	.51	.44	.57	.50	.45	.55	.49	.45	.54	.48	.44	.43	.43	.42	.41	.40	.39	
8	.66	.54	.46	.41	.65	.53	.46	.40	.52	.45	.41	.51	.45	.40	.50	.44	.40	.38	.38	.37	.36	.35	.34	
9	.62	.50	.42	.37	.61	.49	.42	.36	.48	.41	.37	.47	.41	.37	.46	.41	.36	.35	.35	.34	.33	.32	.31	
10	.58	.46	.39	.34	.57	.46	.39	.33	.45	.38	.34	.44	.38	.33	.43	.37	.33	.32	.32	.31	.30	.29	.28	

Zonal Lumen Summary

Zone	Lumens	% Luminaire
0-30	480.2	37.3%
0-40	779.3	60.5%
0-60	1,198.0	92.9%
60-90	91.0	7.1%
70-100	28.0	2.2%
90-120	0	0%



3110 / 3311 33W 30KS 90° 1" Regress

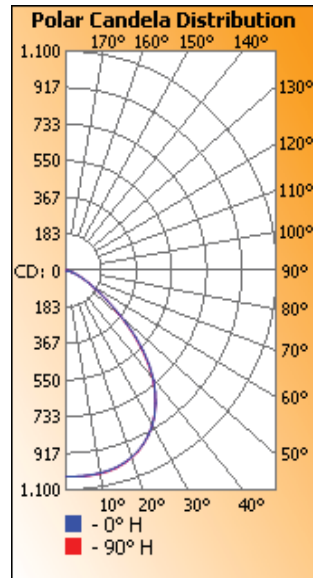
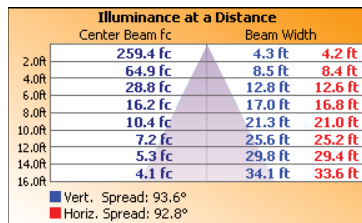
Coefficients Of Utilization - Zonal Cavity Method

Effective Floor Cavity Reflectance: 20%

RCC %:	80				70				50				30				10				0			
RW %:	70	50	30	0	70	50	30	0	50	30	20	10	0	50	30	20	10	0	50	30	20	10	0	
RCR: 0	1.19	1.19	1.19	1.19	1.16	1.16	1.16	1.00	1.11	1.11	1.11	1.11	1.06	1.06	1.06	1.02	1.02	1.02	1.00	1.00	1.00	1.00	1.00	
1	1.11	1.07	1.04	1.01	1.09	1.05	1.02	.89	1.01	.99	.96	.97	.95	.93	.94	.92	.91	.89	.89	.88	.87	.86	.85	
2	1.03	.96	.91	.86	1.01	.95	.89	.79	.91	.87	.83	.88	.84	.81	.85	.82	.80	.78	.78	.77	.76	.75	.74	
3	.95	.87	.80	.74	.93	.85	.79	.69	.82	.77	.72	.80	.75	.71	.77	.73	.70	.68	.68	.67	.66	.65	.64	
4	.88	.78	.71	.65	.86	.77	.70	.62	.74	.68	.64	.72	.67	.63	.70	.66	.62	.60	.60	.59	.58	.57	.56	
5	.82	.71	.63	.57	.80	.70	.62	.55	.68	.61	.56	.66	.60	.56	.64	.59	.55	.53	.53	.52	.51	.50	.49	
6	.76	.64	.56	.51	.74	.63	.56	.49	.62	.55	.50	.60	.54	.50	.59	.53	.49	.47	.47	.46	.45	.44	.43	
7	.71	.59	.51	.45	.69	.58	.51	.44	.57	.50	.45	.55	.49	.45	.54	.48	.44	.43	.43	.42	.41	.40	.39	
8	.66	.54	.46	.41	.65	.53	.46	.40	.52	.45	.41	.51	.45	.40	.50	.44	.40	.38	.38	.37	.36	.35	.34	
9	.62	.50	.42	.37	.61	.49	.42	.36	.48	.41	.37	.47	.41	.37	.46	.41	.36	.35	.35	.34	.33	.32	.31	
10	.58	.46	.39	.34	.57	.46	.39	.33	.45	.38	.34	.44	.38	.33	.43	.37	.33	.32	.32	.31	.30	.29	.28	

Zonal Lumen Summary

Zone	Lumens	% Luminaire
0-30	836.5	37.3%
0-40	1,357.7	60.5%
0-60	2,087.1	92.9%
60-90	158.6	7.1%
70-100	48.8	2.2%
90-120	0	0%



www.usailighting.com
info@usailighting.com

1126 River Road
New Windsor, NY 12553

T 845-565-8500
F 845-561-1130

©2015, USAI, LLC.
All rights reserved.
All designs protected by copyright.
Revised 12/19/2017



LUMINAIRE CUT SHEET
100% CD
10.16.2018

Wailuku Civic Hub
Maui, HI
Type: FE5

DIMMING DRIVER WIRING SCHEMES:

NOTES:

Wiring diagrams are examples of typical installations intended to illustrate the number of wires that must be run to fixture. These diagrams are not intended to specify all equipment necessary for a given dimming circuit. Refer to specific dimmer manufacturer's documentation for details.

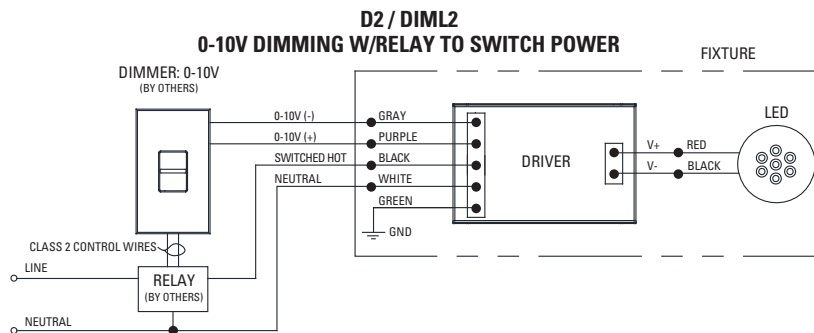
**IMPORTANT SAFETY INSTRUCTIONS
- SAVE THESE INSTRUCTIONS**

1. Keep these instructions in a safe place for future reference.
2. Only qualified electricians in accordance to local codes should install these fixtures.
3. De-energize the electrical circuit at the circuit breaker prior to installation process or servicing.
4. Make sure all connections are in accordance with the National Electrical Code and any local regulations.
5. Cap any wires not used separately (not together).

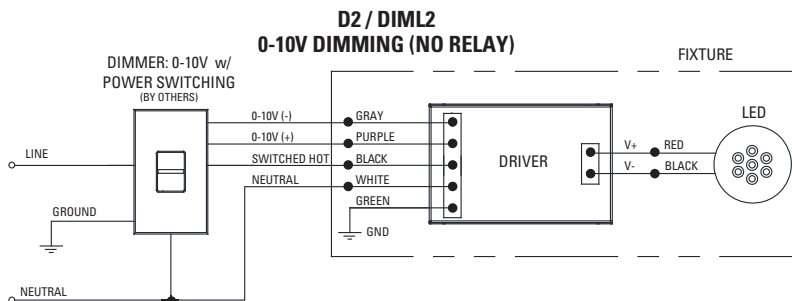
D2 / DIML2 LED: 0-10V Dimming Driver Wiring (Dims down to 10%)

D2 / DIML2 Dimmer Compatibility Chart				Qty Fixtures Per Dimmer*
Manufacturer	Product	Part Number	Dimmed Light Output Range	
120V / 277V				
Crestron	iLux dimmer expansion module	CLS-EXP-DIMFLV	100% - 10%	Use source current per fixture specification sheet to determine number of fixtures per dimmer. Max number of fixtures is limited by dimmer load rating.
Crestron	DIN Rail dimmer	DIN-4DIMFLV4	100% - 10%	
Crestron	DIN Rail analog output module	DIN-A08	100% - 10%	
Crestron	8 Channel dimmer module	GLX-DIMFLV8	100% - 10%	
Crestron	8 Channel dimmer module	GLXP-DIMFLV8	100% - 10%	
Leviton	IllumaTech dimmer	IP710-DLX	100% - 10%	
Lightolier (Philips)	Vega	V2000FAMU	100% - 10%	
Lutron	Diva	DVTV-XX	100% - 10%	

* NOTE: Refer to dimmer manufacturer's documentation for installation instructions and circuit details.



NOTE:
If switched, non-dimming operation is desired, cap off purple and gray wires individually at installation. Do NOT cap purple and gray wires together.



NOTE:
If switched, non-dimming operation is desired, cap off purple and gray wires individually at installation. Do NOT cap purple and gray wires together.



PROJECT INFORMATION

PROJECT _____

DATE _____

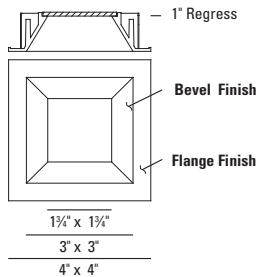
TYPE _____

BeveLED mini Recessed Downlight - Good things come in small packages. BeveLED mini is the smallest member of the BeveLED family with an aperture of only 3", and is now available with more BeveLED trim finishes, innovative housings, and dimming driver options than ever before. BeveLED mini is perfect for residential, hospitality, and corporate projects.

1" REGRESS DOWNLIGHT



1" Regress



DELIVERED PERFORMANCE

BeveLEDmini DOWNLIGHT	14 Watts		20 Watts	
	80+ CRI	90+ HIGH CRI	80+ CRI	90+ HIGH CRI
Color Rendering Index	80+ CRI	90+ HIGH CRI	80+ CRI	90+ HIGH CRI
Lumens per Watt	64	52	53	43
Source Lumens	1100	825	1500	1050
Delivered Lumens	900	725	1150	925
Color Consistency	2-Step MacAdam Ellipse			

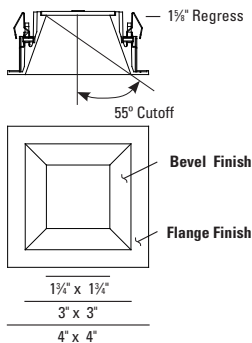
Performance based on 3000K

CCT MULTIPLIER	2700K		3000K		3500K	4000K
Color Rendering Index	80+ CRI	90+ HIGH CRI	80+ CRI	90+ HIGH CRI	80+ CRI	80+ CRI
Multiplier for Lumen Output	1.00	0.73	1.00	.80	1.15	1.07

DEEP REGRESS DOWNLIGHT



Deep Regress



DELIVERED PERFORMANCE (Projected)

BeveLEDmini DOWNLIGHT	14 Watts		20 Watts	
	80+ CRI	90+ HIGH CRI	80+ CRI	90+ HIGH CRI
Color Rendering Index	80+ CRI	90+ HIGH CRI	80+ CRI	90+ HIGH CRI
Lumens per Watt	50	41	45	36
Source Lumens	1100	825	1500	1050
Delivered Lumens	700	575	900	725
Color Consistency	2-Step MacAdam Ellipse			

Performance based on 3000K

CCT MULTIPLIER	2700K		3000K		3500K	4000K
Color Rendering Index	80+ CRI	90+ HIGH CRI	80+ CRI	90+ HIGH CRI	80+ CRI	80+ CRI
Multiplier for Lumen Output	1.00	0.73	1.00	.80	1.15	1.07



ORDERING INFORMATION



1" REGRESS

DEEP REGRESS

HOW TO SPECIFY

Ordering Example: Specify trim code and housing code to order: **2110W - B1 - S - 10 - LSTD3 - 9020 - M2 - 27KS - 50 - NC1 - 277V - DIML2 - CB27**

TRIM ORDERING INFORMATION

TRIM	OPTION	BEVEL STYLE	LENS	FLANGE FINISH	
2110					
1" REGRESS DOWNLIGHT					
2110 Square Downlight 1" Regress	W TZ	Wet location ¹ 6" TechZone ceiling compatible (NCSL only) N/A with 01 or 02 flange finishes.	B1 1" Regress Bevel, Painted Die Cast Matches Flange Finish AB1 1" Regress Bevel, Black Anodized AC1 1" Regress Bevel, Clear Matte Anodized	S Solite (provided standard) F Frosted	01 Clear Matte (AC Bevel only) 02 Black Anodized (AB Bevel Only) 10 White 13 Statuary Bronze 21 Black 28 Metalized Grey RAL Custom Color (specify RAL #)
2110 Square Downlight Deep Regress	W	Wet location ¹	B2 Deep Regress Bevel, Painted Die Cast Matches Flange Finish AB2 Deep Regress Bevel, Black Anodized AC2 Deep Regress Bevel, Clear Matte Anodized		

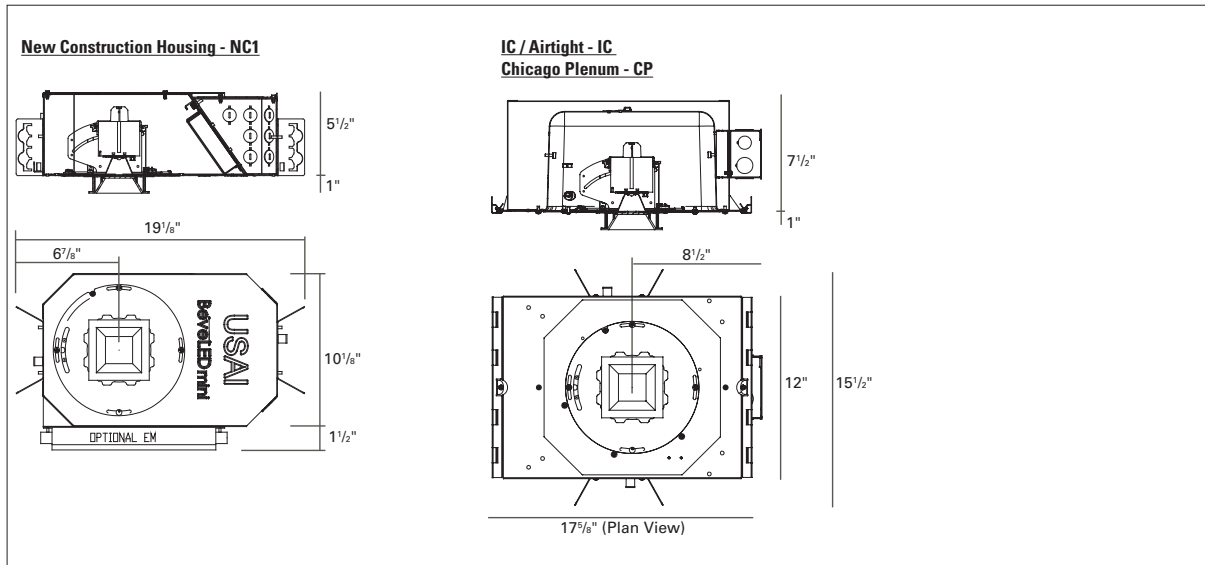


HOUSING ORDERING INFORMATION

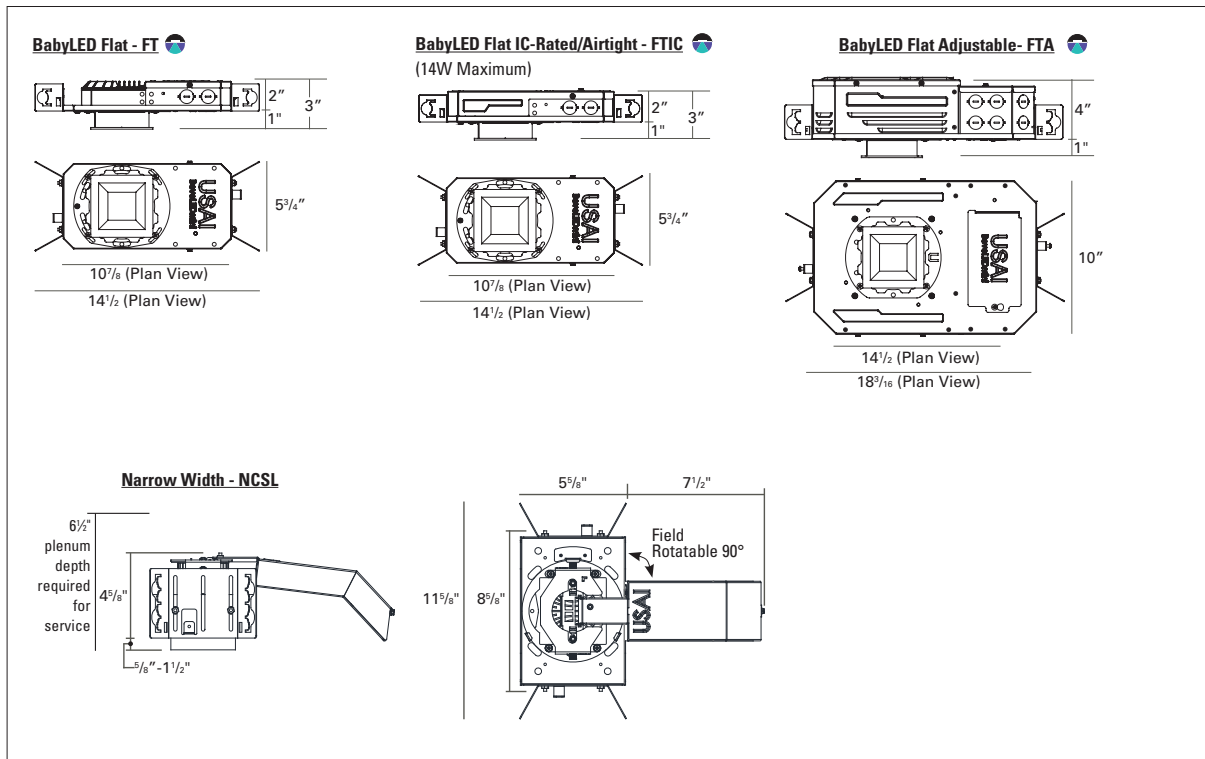
HOUSING CODE	WATTAGE	ENGINE CODE	COLOR	REFLECTOR	HOUSING TYPE	SELECT ONE VOLTAGE	DIMMING DRIVER OPTIONS	ACCESSORIES
LSTD3		M2						
LSTD3	9014 14W LED 9020 20W LED	M2	27KS 2700K, 80+ CRI 30KS 3000K, 80+ CRI 35KS 3500K, 80+ CRI 40KS 4000K, 80+ CRI 27KH 2700K, 90+ CRI 30KH 3000K, 90+ CRI	1" REGRESS DOWNLIGHT		120V 277V	For use with 120V or 277V DIML2 0-10V dim, 10% (provided standard) DIML4 Lutron A 3-wire/ECO, 1% ³ DIML4E Lutron 5 ECO, 5% ³ DIML4H Lutron H ECO, 1% Fade ³ DIML6A EldoLED 0-10V, 0.1%, logarithmic/Lutron controls ³ DIML6B EldoLED 0-10V, 0.1%, linear controls ³ DIML6E EldoLED 0-10V, 1%, logarithmic/Lutron controls ³ DIML6F EldoLED 0-10V, 1%, linear controls ³ DIML7 EldoLED DALI, 0.1% ³	1" REGRESS DOWNLIGHT CB27 27" C-Channel Bars ⁷ CB52 52" C-Channel Bars ⁷ CM27 27" C-Channel Bars (use with FT or FTIC housing only) CM52 52" C-Channel Bars (use with FT or FTIC housing only) EML Emergency battery ⁵ EMLW Emergency battery, wet location ⁵ TZ 6" TechZone ceiling compatible ⁶
				DEEP REGRESS DOWNLIGHT				
				C20 20° beam Comfort Cutoff C30 30° beam Comfort Cutoff C40 40° beam Comfort Cutoff		NC1 New Construction, all in one CP Chicago Plenum ² IC Insulation-Contact Rated / Airtight ²	N/A with EM	³ N/A with FT or FTIC housings ⁴ N/A with FTA housing
				See performance chart for precise lumen information.				

HOUSING INFORMATION

NC1, IC AND CP HOUSINGS BELOW ARE FOR USE WITH 1" REGRESS TRIMS & DEEP REGRESS TRIMS



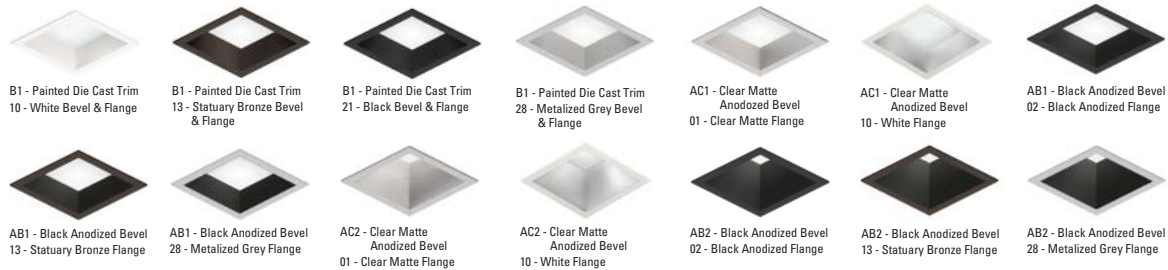
HOUSINGS BELOW ARE FOR USE WITH 1" REGRESS TRIMS ONLY (FT, FTIC, FTA AND NCSL ARE NOT AVAILABLE FOR USE WITH DEEP REGRESS)



SPECIFICATIONS

TRIM: 3" square aperture with a 1" regress or deep regress bevel and 1/2" flange, retained by two mounting clips. Die cast aluminum bevel is available in white, statuary bronze, black, and metalized grey painted finishes, with flange painted to match. Also available in black or clear matte anodized finishes, with self-finish or contrasting painted flange. Custom colors are available (provide RAL#). Trim is shipped with a solite lens provided standard.

Some examples of standard trim finish options for 2110 are shown below:



FIELD REPLACEABLE LED LIGHT ENGINE: is serviceable through the aperture without tools. All USAI Lighting Classic White light engines feature industry leading color consistency within a 2-Step MacAdam's ellipse.

FIELD REPLACEABLE DIMMING DRIVER: 0-10V, 100%-10% solid state electronic constant current DIML2 dimming driver with a high power factor provided standard and sources 2mA. Specify 120V or 277V. Driver complies with IEEE62.41 surge protection. Multiple dimming driver options are available; some on-time delay may be experienced, depending on control system used.

EMERGENCY: BeveLED mini emergency lighting battery pack requires above ceiling access for service. Fixtures are provided with a remote test switch with a 24" lead length for location of the test switch. Bodine 17C provides 200mA for 90 minutes; delivers ~450 lumens. EMLW wet location option is available with B1 or B2 trim only. EM option is available with NC1 housings only. Fixtures that have no USAI EM option may be connected to an inverter (by others) for emergency lighting.


HOUSING: 1" regress fixture housing options are NC1, IC, CP, FT, FTIC, FTA and NCSL. DEEP regress fixture housing options are NC1, IC, and CP only. FT, FTIC, FTA and NCSL housings are not available with DEEP regress trims. All-Ways Square® (covered by US Pat. No: US 7,832,889) housing allows alignment of square aperture (up to 20° rotation) after housing installation and prior to finish ceiling installation (N/A with FTA housing). Fabricated of 20 ga. galvanized steel with thru wire J-box, 4 in 4 out at min. 90°C, #12 AWG thru branch circuit wiring. NCSL housing is field rotatable 90° for best fit installation. NCSL with TZ option is compatible with 6" TechZone ceiling systems. IC-rated housings for use with 14W light engines only are rated for direct contact with insulation of R-42 or less. IC-rated housings for use with 20W light engines are rated for direct contact with spray foam insulation of R-30 or less.

MOUNTING: Butterfly brackets and adjustable nailer bars with integral nails provided. Nailer bars are extendible from 14" to 24" centers. C-channel bars are optionally available for acoustical ceiling applications. If channel bars are specified for FT or FTIC housing, special reduced height channel bars (CM27 or CM52) will be provided.

MAXIMUM CEILING THICKNESS: As noted on housing drawings.

CEILING CUT OUT: 3-1/2" x 3-1/2"
NCSL: 3-5/8" x 3-5/8"

WARRANTY: Based on IESNA LM80-2008, BeveLED Mini has a 50,000 hour rated life at 70% lumen maintenance (L70). USAI Lighting Warranty covers replacement parts for 5 years from date of shipment.

LISTINGS: Dry/Damp. Wet location option available with B1 and B2 trims only. NRTL/CSA-US tested to UL standards. IBEW union made. 

NOTES:

- Not for use in corrosive environment.
- Use of pressure washer voids warranty.

PHOTOMETRICS: Consult factory or website for IES files. Tested in accordance with IESNA LM79.

DELIVERED PERFORMANCE

2110 / 2411 14W 30KS 25° 1" Regress

Coefficients Of Utilization - Zonal Cavity Method
Effective Floor Cavity Reflectance: 20%

RCC %:	80				70				50				30				10				0			
RW %:	70	50	30	0	70	50	30	0	50	30	20	0	50	30	20	0	50	30	20	0	50	30	20	0
RCR: 0	1.19	1.19	1.19	1.19	1.16	1.16	1.16	1.00	1.11	1.11	1.11	1.11	1.06	1.06	1.06	1.02	1.02	1.02	1.02	1.00	1.00	1.00	1.00	1.00
1	1.14	1.12	1.10	1.08	1.12	1.10	1.08	.96	1.06	1.04	1.03	1.02	1.01	1.01	1.00	.99	.98	.98	.97	.95	.95	.94	.92	.91
2	1.10	1.06	1.03	1.00	1.08	1.04	1.01	.92	1.01	.99	.96	.98	.96	.94	.94	.92	.90	.92	.90	.88	.87	.87	.88	.87
3	1.06	1.00	.96	.93	1.04	.99	.95	.88	.97	.93	.91	.94	.92	.90	.90	.89	.86	.84	.84	.83	.83	.83	.84	.83
4	1.02	.96	.91	.88	1.00	.95	.90	.84	.93	.89	.86	.91	.88	.85	.85	.89	.86	.84	.84	.81	.79	.79	.81	.79
5	.98	.91	.87	.83	.97	.90	.86	.80	.89	.85	.82	.87	.84	.81	.81	.86	.83	.81	.81	.79	.76	.76	.78	.76
6	.95	.87	.83	.79	.93	.87	.82	.77	.85	.81	.78	.84	.81	.78	.78	.83	.80	.78	.78	.76	.73	.73	.75	.73
7	.91	.84	.79	.76	.90	.83	.79	.74	.82	.78	.75	.81	.78	.75	.75	.80	.77	.75	.75	.73	.71	.71	.73	.71
8	.88	.81	.76	.73	.87	.80	.76	.72	.79	.75	.72	.78	.75	.72	.72	.77	.74	.72	.72	.71	.68	.68	.70	.68
9	.86	.78	.73	.70	.85	.78	.73	.69	.77	.73	.70	.76	.72	.70	.70	.75	.72	.69	.69	.68	.66	.66	.68	.66
10	.83	.75	.71	.68	.82	.75	.71	.67	.74	.70	.68	.74	.70	.67	.67	.73	.70	.67	.67	.66	.64	.64	.66	.64

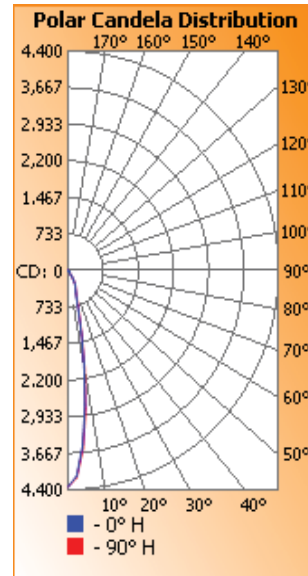
Zonal Lumen Summary

Zone	Lumens	% Luminaire
0-30	733.9	83.5%
0-40	836.5	95.1%
0-60	871.9	99.2%
60-90	7.4	0.8%
70-100	1.7	0.2%
90-120	0	0%

Illuminance at a Distance

Center Beam fc	Beam Width
2.0R	1,088.7 fc 0.6 ft 0.7 ft
4.0R	272.2 fc 1.3 ft 1.3 ft
6.0R	121.0 fc 1.9 ft 2.0 ft
8.0R	68.0 fc 2.6 ft 2.7 ft
10.0R	43.5 fc 3.2 ft 3.3 ft
12.0R	30.2 fc 3.9 ft 4.0 ft
14.0R	22.2 fc 4.5 ft 4.6 ft
16.0R	17.0 fc 5.2 ft 5.3 ft

■ Vert. Spread: 18.3°
■ Horiz. Spread: 18.8°



2110 / 2411 20W 30KS 25° 1" Regress

Coefficients Of Utilization - Zonal Cavity Method
Effective Floor Cavity Reflectance: 20%

RCC %:	80				70				50				30				10				0			
RW %:	70	50	30	0	70	50	30	0	50	30	20	0	50	30	20	0	50	30	20	0	50	30	20	0
RCR: 0	1.19	1.19	1.19	1.19	1.16	1.16	1.16	1.00	1.11	1.11	1.11	1.11	1.06	1.06	1.06	1.02	1.02	1.02	1.02	1.00	1.00	1.00	1.00	1.00
1	1.14	1.12	1.10	1.08	1.12	1.10	1.08	.96	1.06	1.04	1.03	1.02	1.01	1.01	1.00	.99	.98	.98	.97	.95	.95	.94	.92	.91
2	1.10	1.06	1.03	1.00	1.08	1.04	1.01	.92	1.01	.99	.96	.98	.96	.94	.94	.92	.90	.92	.90	.88	.87	.87	.88	.87
3	1.06	1.00	.96	.93	1.04	.99	.95	.88	.97	.93	.91	.94	.92	.90	.90	.89	.86	.84	.84	.83	.83	.83	.84	.83
4	1.02	.96	.91	.88	1.00	.95	.90	.84	.93	.89	.86	.91	.88	.85	.85	.89	.86	.84	.84	.81	.79	.79	.81	.79
5	.98	.91	.87	.83	.97	.90	.86	.80	.89	.85	.82	.87	.84	.81	.81	.86	.83	.81	.81	.79	.76	.76	.78	.76
6	.95	.87	.83	.79	.93	.87	.82	.77	.85	.81	.78	.84	.81	.78	.78	.83	.80	.78	.78	.76	.73	.73	.75	.73
7	.91	.84	.79	.76	.90	.83	.79	.74	.82	.78	.75	.81	.78	.75	.75	.80	.77	.75	.75	.73	.71	.71	.73	.71
8	.88	.81	.76	.73	.87	.80	.76	.72	.79	.75	.72	.78	.75	.72	.72	.77	.74	.72	.72	.71	.68	.68	.70	.68
9	.86	.78	.73	.70	.85	.78	.73	.69	.77	.73	.70	.76	.72	.70	.70	.75	.72	.69	.69	.68	.66	.66	.68	.66
10	.83	.75	.71	.68	.82	.75	.71	.67	.74	.70	.68	.74	.70	.67	.67	.73	.70	.67	.67	.66	.64	.64	.66	.64

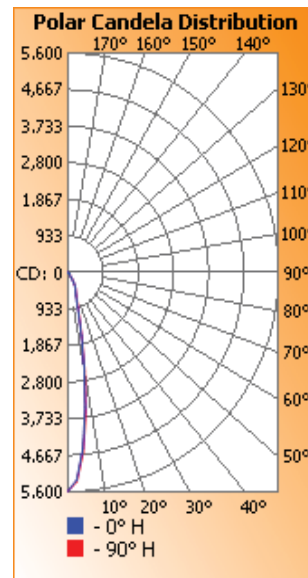
Zonal Lumen Summary

Zone	Lumens	% Luminaire
0-30	943.3	83.5%
0-40	1,075.2	95.1%
0-60	1,120.7	99.2%
60-90	9.5	0.8%
70-100	2.1	0.2%
90-120	0	0%

Illuminance at a Distance

Center Beam fc	Beam Width
2.0R	1,399.4 fc 0.6 ft 0.7 ft
4.0R	349.9 fc 1.3 ft 1.3 ft
6.0R	155.5 fc 1.9 ft 2.0 ft
8.0R	87.5 fc 2.6 ft 2.7 ft
10.0R	56.0 fc 3.2 ft 3.3 ft
12.0R	38.9 fc 3.9 ft 4.0 ft
14.0R	28.6 fc 4.5 ft 4.6 ft
16.0R	21.9 fc 5.2 ft 5.3 ft

■ Vert. Spread: 18.3°
■ Horiz. Spread: 18.8°

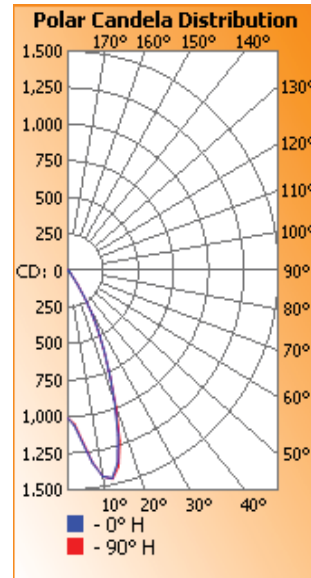


DELIVERED PERFORMANCE

2110 / 2411 14W 30KS 35° 1" Regress

Coefficients Of Utilization - Zonal Cavity Method
Effective Floor Cavity Reflectance: 20%

RCC %:	80				70				50				30				10				0			
RW %:	70	50	30	0	70	50	30	0	50	30	20	0	50	30	20	0	50	30	20	0	50	30	20	0
RCR: 0	1.19	1.19	1.19	1.19	1.16	1.16	1.16	1.00	1.11	1.11	1.11	1.11	1.06	1.06	1.06	1.06	1.02	1.02	1.02	1.02	1.00	1.00	1.00	1.00
1	1.14	1.11	1.09	1.07	1.12	1.09	1.07	.95	1.05	1.04	1.02	1.01	1.01	1.00	.99	.98	.98	.97	.96	.94	.94	.92	.90	.89
2	1.09	1.04	1.01	.98	1.07	1.03	.99	.90	.99	.97	.94	.97	.94	.92	.92	.94	.94	.92	.90	.89	.89	.87	.85	.84
3	1.04	.98	.94	.90	1.02	.97	.93	.85	.94	.91	.88	.92	.89	.86	.86	.90	.87	.85	.84	.84	.84	.82	.81	.80
4	.99	.93	.87	.84	.98	.91	.87	.80	.89	.85	.82	.87	.84	.81	.81	.86	.83	.80	.80	.79	.79	.77	.76	.74
5	.95	.87	.82	.78	.93	.86	.82	.76	.85	.80	.77	.83	.79	.76	.76	.82	.78	.76	.76	.74	.74	.72	.71	.70
6	.91	.83	.77	.73	.89	.82	.77	.72	.81	.76	.73	.79	.75	.72	.72	.78	.74	.72	.72	.70	.70	.68	.67	.66
7	.87	.79	.73	.69	.86	.78	.73	.68	.77	.72	.69	.76	.71	.68	.68	.74	.71	.68	.68	.67	.67	.65	.64	.63
8	.83	.75	.69	.66	.82	.74	.69	.64	.73	.68	.65	.72	.68	.65	.65	.71	.67	.65	.65	.63	.63	.61	.60	.59
9	.80	.71	.66	.62	.79	.71	.66	.61	.70	.65	.62	.69	.65	.62	.62	.68	.64	.61	.61	.60	.60	.58	.57	.56
10	.77	.68	.63	.59	.76	.67	.62	.58	.67	.62	.59	.66	.62	.59	.59	.65	.61	.58	.58	.57	.57	.55	.54	.53



Zonal Lumen Summary

Zone	Lumens	% Luminaire
0-30	739.7	82.5%
0-40	856.9	95.5%
0-60	890.6	99.3%
60-90	6.2	0.7%
70-100	1.3	0.1%
90-120	0	0%

Illuminance at a Distance

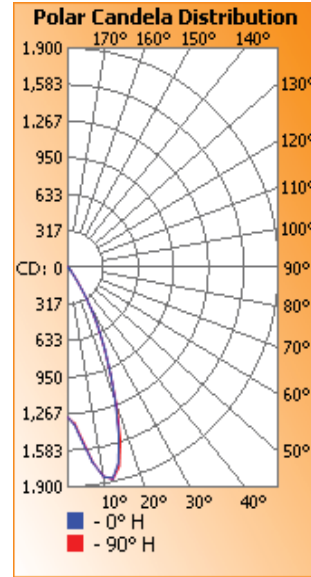
Center Beam fc	Beam Width	Illuminance (fc)
253.3 fc	1.3 ft	1.7 ft
63.3 fc	2.7 ft	3.4 ft
26.1 fc	4.0 ft	5.2 ft
15.8 fc	5.3 ft	6.9 ft
10.1 fc	6.6 ft	8.6 ft
7.0 fc	8.0 ft	10.3 ft
5.2 fc	9.3 ft	12.0 ft
4.0 fc	10.6 ft	13.7 ft

Vert. Spread: 36.7°
Horiz. Spread: 46.5°

2110 / 2411 20W 30KS 35° 1" Regress

Coefficients Of Utilization - Zonal Cavity Method
Effective Floor Cavity Reflectance: 20%

RCC %:	80				70				50				30				10				0			
RW %:	70	50	30	0	70	50	30	0	50	30	20	0	50	30	20	0	50	30	20	0	50	30	20	0
RCR: 0	1.19	1.19	1.19	1.19	1.16	1.16	1.16	1.00	1.11	1.11	1.11	1.11	1.06	1.06	1.06	1.06	1.02	1.02	1.02	1.02	1.00	1.00	1.00	1.00
1	1.14	1.11	1.09	1.07	1.12	1.09	1.07	.95	1.05	1.04	1.02	1.01	1.01	1.00	.99	.98	.98	.97	.96	.94	.94	.92	.90	.89
2	1.09	1.04	1.01	.98	1.07	1.03	.99	.90	.99	.97	.94	.97	.94	.92	.92	.94	.94	.92	.90	.89	.89	.87	.85	.84
3	1.04	.98	.94	.90	1.02	.97	.93	.85	.94	.91	.88	.92	.89	.86	.86	.90	.87	.85	.84	.84	.84	.82	.81	.80
4	.99	.93	.87	.84	.98	.91	.87	.80	.89	.85	.82	.87	.84	.81	.81	.86	.83	.80	.80	.79	.79	.77	.76	.74
5	.95	.87	.82	.78	.93	.86	.82	.76	.85	.80	.77	.83	.79	.76	.76	.82	.78	.76	.76	.74	.74	.72	.71	.70
6	.91	.83	.77	.73	.89	.82	.77	.72	.81	.76	.73	.79	.75	.72	.72	.78	.74	.72	.72	.70	.70	.68	.67	.66
7	.87	.79	.73	.69	.86	.78	.73	.68	.77	.72	.69	.76	.71	.68	.68	.74	.71	.68	.68	.67	.67	.65	.64	.63
8	.83	.75	.69	.66	.82	.74	.69	.64	.73	.68	.65	.72	.68	.65	.65	.71	.67	.65	.65	.63	.63	.61	.60	.59
9	.80	.71	.66	.62	.79	.71	.66	.61	.70	.65	.62	.69	.65	.62	.62	.68	.64	.61	.61	.60	.60	.58	.57	.56
10	.77	.68	.63	.59	.76	.67	.62	.58	.67	.62	.59	.66	.62	.59	.59	.65	.61	.58	.58	.57	.57	.55	.54	.53



Zonal Lumen Summary

Zone	Lumens	% Luminaire
0-30	950.8	82.5%
0-40	1,101.4	95.5%
0-60	1,144.7	99.3%
60-90	8.0	0.7%
70-100	1.6	0.1%
90-120	0	0%

Illuminance at a Distance

Center Beam fc	Beam Width	Illuminance (fc)
325.6 fc	1.3 ft	1.7 ft
81.4 fc	2.7 ft	3.4 ft
36.2 fc	4.0 ft	5.2 ft
20.3 fc	5.3 ft	6.9 ft
13.0 fc	6.6 ft	8.6 ft
9.0 fc	8.0 ft	10.3 ft
6.6 fc	9.3 ft	12.0 ft
5.1 fc	10.6 ft	13.7 ft

Vert. Spread: 36.7°
Horiz. Spread: 46.5°

DELIVERED PERFORMANCE

2110 / 2411 14W 30KS 50° 1" Regress

Coefficients Of Utilization - Zonal Cavity Method
Effective Floor Cavity Reflectance: 20%

RCC %:	80				70				50				30				10				0			
RW %:	70	50	30	0	70	50	30	0	50	30	20	0	50	30	20	0	50	30	20	0	50	30	20	0
RCR: 0	1.19	1.19	1.19	1.19	1.16	1.16	1.16	1.00	1.11	1.11	1.11	1.06	1.06	1.06	1.02	1.02	1.02	1.00	1.00	1.00	1.00	1.00	1.00	1.00
1	1.14	1.11	1.09	1.06	1.11	1.09	1.07	.94	1.05	1.03	1.01	1.01	1.00	.98	.98	.97	.96	.94	.94	.94	.94	.94	.94	.94
2	1.08	1.03	1.00	.96	1.06	1.02	.98	.88	.99	.96	.93	.96	.93	.91	.93	.91	.89	.88	.88	.88	.88	.88	.88	.88
3	1.03	.97	.92	.88	1.01	.95	.91	.83	.93	.89	.86	.90	.87	.85	.88	.86	.83	.82	.82	.82	.82	.82	.82	.82
4	.98	.91	.85	.81	.96	.90	.85	.78	.87	.83	.80	.85	.82	.79	.84	.81	.78	.77	.77	.77	.77	.77	.77	.77
5	.93	.85	.80	.75	.92	.84	.79	.73	.83	.78	.74	.81	.77	.74	.79	.76	.73	.72	.72	.72	.72	.72	.72	.72
6	.89	.80	.75	.70	.87	.80	.74	.69	.78	.73	.70	.77	.72	.69	.75	.72	.69	.67	.67	.67	.67	.67	.67	.67
7	.85	.76	.70	.66	.83	.75	.70	.65	.74	.69	.65	.73	.68	.65	.72	.68	.65	.63	.63	.63	.63	.63	.63	.63
8	.81	.72	.66	.62	.80	.71	.66	.61	.70	.65	.62	.69	.65	.61	.68	.64	.61	.60	.60	.60	.60	.60	.60	.60
9	.77	.68	.62	.58	.76	.68	.62	.58	.67	.62	.58	.66	.61	.58	.65	.61	.58	.57	.57	.57	.57	.57	.57	.57
10	.74	.65	.59	.55	.73	.64	.59	.55	.63	.58	.55	.63	.58	.55	.62	.58	.55	.54	.54	.54	.54	.54	.54	.54

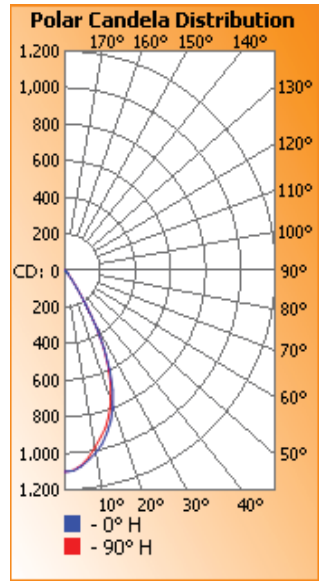
Zonal Lumen Summary

Zone	Lumens	% Luminaire
0-30	630.1	76.9%
0-40	766.9	93.6%
0-60	809.5	98.9%
60-90	9.4	1.1%
70-100	2.1	0.3%
90-120	0	0%

Illuminance at a Distance

Center Beam fc	Beam Width
2.0R	276.1 fc 2.0 ft 1.9 ft
4.0R	69.0 fc 3.9 ft 3.9 ft
6.0R	30.7 fc 5.9 ft 5.8 ft
8.0R	17.3 fc 7.8 ft 7.7 ft
10.0R	11.0 fc 9.8 ft 9.6 ft
12.0R	7.7 fc 11.8 ft 11.6 ft
14.0R	5.6 fc 13.7 ft 13.5 ft
16.0R	4.3 fc 15.7 ft 15.4 ft

Vert. Spread: 52.2°
Horiz. Spread: 51.4°



2110 / 2411 20W 30KS 50° 1" Regress

Coefficients Of Utilization - Zonal Cavity Method
Effective Floor Cavity Reflectance: 20%

RCC %:	80				70				50				30				10				0			
RW %:	70	50	30	0	70	50	30	0	50	30	20	0	50	30	20	0	50	30	20	0	50	30	20	0
RCR: 0	1.19	1.19	1.19	1.19	1.16	1.16	1.16	1.00	1.11	1.11	1.11	1.06	1.06	1.06	1.02	1.02	1.02	1.00	1.00	1.00	1.00	1.00	1.00	1.00
1	1.14	1.11	1.09	1.06	1.11	1.09	1.07	.94	1.05	1.03	1.01	1.01	1.00	.98	.98	.97	.96	.94	.94	.94	.94	.94	.94	.94
2	1.08	1.03	1.00	.96	1.06	1.02	.98	.88	.99	.96	.93	.96	.93	.91	.93	.91	.89	.88	.88	.88	.88	.88	.88	.88
3	1.03	.97	.92	.88	1.01	.95	.91	.83	.93	.89	.86	.90	.87	.85	.88	.86	.83	.82	.82	.82	.82	.82	.82	.82
4	.98	.91	.85	.81	.96	.90	.85	.78	.87	.83	.80	.85	.82	.79	.84	.81	.78	.77	.77	.77	.77	.77	.77	.77
5	.93	.85	.80	.75	.92	.84	.79	.73	.83	.78	.74	.81	.77	.74	.79	.76	.73	.72	.72	.72	.72	.72	.72	.72
6	.89	.80	.75	.70	.87	.80	.74	.69	.78	.73	.70	.77	.72	.69	.75	.72	.69	.67	.67	.67	.67	.67	.67	.67
7	.85	.76	.70	.66	.83	.75	.70	.65	.74	.69	.65	.73	.68	.65	.72	.68	.65	.63	.63	.63	.63	.63	.63	.63
8	.81	.72	.66	.62	.80	.71	.66	.61	.70	.65	.62	.69	.65	.61	.68	.64	.61	.60	.60	.60	.60	.60	.60	.60
9	.77	.68	.62	.58	.76	.68	.62	.58	.67	.62	.58	.66	.61	.58	.65	.61	.58	.57	.57	.57	.57	.57	.57	.57
10	.74	.65	.59	.55	.73	.64	.59	.55	.63	.58	.55	.63	.58	.55	.62	.58	.55	.54	.54	.54	.54	.54	.54	.54

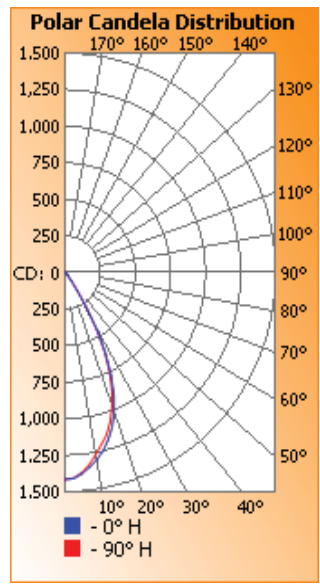
Zonal Lumen Summary

Zone	Lumens	% Luminaire
0-30	809.9	76.9%
0-40	985.7	93.6%
0-60	1,040.5	98.9%
60-90	12.0	1.1%
70-100	2.7	0.3%
90-120	0	0%

Illuminance at a Distance

Center Beam fc	Beam Width
2.0R	354.9 fc 2.0 ft 1.9 ft
4.0R	88.7 fc 3.9 ft 3.9 ft
6.0R	39.4 fc 5.9 ft 5.8 ft
8.0R	22.2 fc 7.8 ft 7.7 ft
10.0R	14.2 fc 9.8 ft 9.6 ft
12.0R	9.9 fc 11.8 ft 11.6 ft
14.0R	7.2 fc 13.7 ft 13.5 ft
16.0R	5.5 fc 15.7 ft 15.4 ft

Vert. Spread: 52.2°
Horiz. Spread: 51.4°



DIMMING DRIVER WIRING SCHEMES:

NOTES:

Wiring diagrams are examples of typical installations intended to illustrate the number of wires that must be run to fixture. These diagrams are not intended to specify all equipment necessary for a given dimming circuit. Refer to specific dimmer manufacturer's documentation for details.

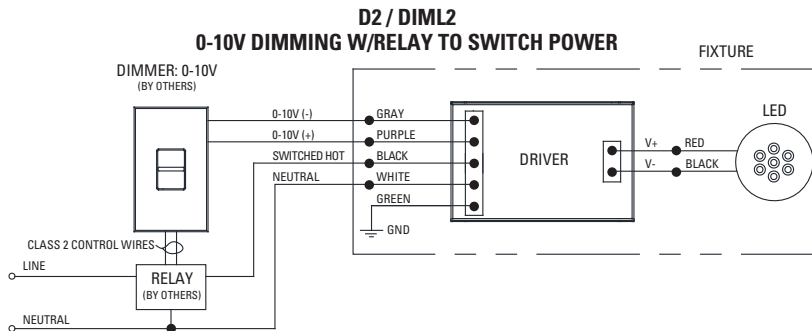
**IMPORTANT SAFETY INSTRUCTIONS
- SAVE THESE INSTRUCTIONS**

1. Keep these instructions in a safe place for future reference.
2. Only qualified electricians in accordance to local codes should install these fixtures.
3. De-energize the electrical circuit at the circuit breaker prior to installation process or servicing.
4. Make sure all connections are in accordance with the National Electrical Code and any local regulations.
5. Cap any wires not used separately (not together).

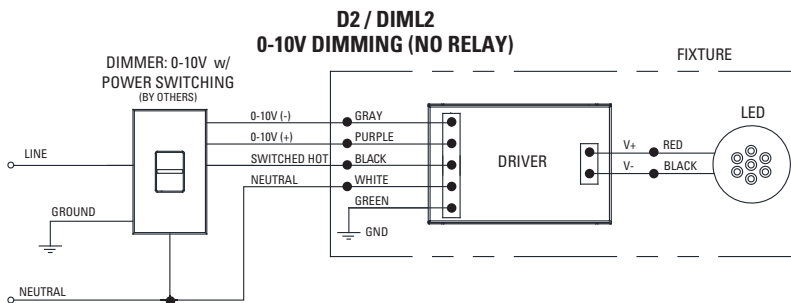
D2 / DIML2 LED: 0-10V Dimming Driver Wiring (Dims down to 10%)

D2 / DIML2 Dimmer Compatibility Chart				Qty Fixtures Per Dimmer*
Manufacturer	Product	Part Number	Dimmed Light Output Range	
120V / 277V				
Crestron	iLux dimmer expansion module	CLS-EXP-DIMFLV	100% - 10%	Use source current per fixture specification sheet to determine number of fixtures per dimmer. Max number of fixtures is limited by dimmer load rating.
Crestron	DIN Rail dimmer	DIN-4DIMFLV4	100% - 10%	
Crestron	DIN Rail analog output module	DIN-A08	100% - 10%	
Crestron	8 Channel dimmer module	GLX-DIMFLV8	100% - 10%	
Crestron	8 Channel dimmer module	GLXP-DIMFLV8	100% - 10%	
Leviton	IllumaTech dimmer	IP710-DLX	100% - 10%	
Lightolier (Philips)	Vega	V2000FAMU	100% - 10%	
Lutron	Diva	DVTV-XX	100% - 10%	

* NOTE: Refer to dimmer manufacturer's documentation for installation instructions and circuit details.



NOTE:
If switched, non-dimming operation is desired, cap off purple and gray wires individually at installation. Do NOT cap purple and gray wires together.



NOTE:
If switched, non-dimming operation is desired, cap off purple and gray wires individually at installation. Do NOT cap purple and gray wires together.



DIMMING DRIVER WIRING SCHEMES:

NOTES:

Wiring diagrams are examples of typical installations intended to illustrate the number of wires that must be run to fixture. These diagrams are not intended to specify all equipment necessary for a given dimming circuit. Refer to specific dimmer manufacturer's documentation for details.

IMPORTANT SAFETY INSTRUCTIONS

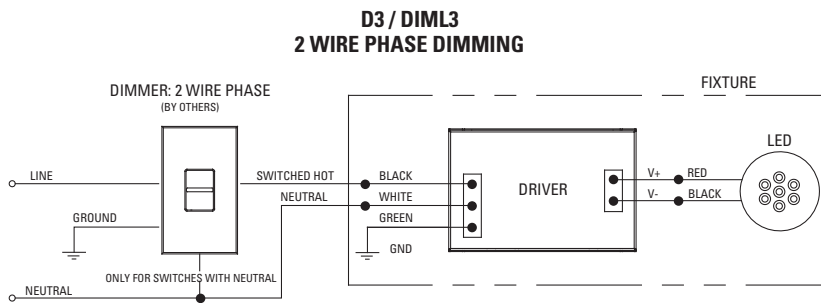
- SAVE THESE INSTRUCTIONS

1. Keep these instructions in a safe place for future reference.
2. Only qualified electricians in accordance to local codes should install these fixtures.
3. De-energize the electrical circuit at the circuit breaker prior to installation process or servicing.
4. Make sure all connections are in accordance with the National Electrical Code and any local regulations.
5. Cap any wires not used separately (not together).

D3 / DIML3 LED: Lutron Hi-Lume A-Series 2 Wire Fwd Phase (with neutral) / LED Dimming Driver Wiring (Dims down to 1%) 120V

D3 / DIML3 Dimmer Compatibility Chart					
Manufacturer	Product	Part Number	Dimmed Light Output Range	Qty Fixtures Per Dimmer*	
				Fixture Wattage	
120V Only					
				39W and Less	40W - 80W
ETC	Sensor+ Cabinet	ELV10	100% - 1%	1 - 26	1 - 13
ETC	Unison DRd Cabinet	ELV10	100% - 1%	1 - 26	1 - 13
Lutron	Maestro Wireless® 600W dimmer	MRF2-6ND-120-	100% - 1%	1 - 8	1 - 4
Lutron	Maestro Wireless® 1000W dimmer	MRF2-10ND-120-	100% - 1%	1 - 13	1 - 6
Lutron	HomeWorks® QS adaptive dimmer	HQRD-6NA-	100% - 1%	1 - 8	1 - 4
Lutron	HomeWorks® QS 600W dimmer	HQRD-6ND-	100% - 1%	1 - 8	1 - 4
Lutron	HomeWorks® QS 1000 W dimmer	HQRD-10ND-	100% - 1%	1 - 13	1 - 6
Lutron	Caseta Wireless® Pro 1000W dimmer	PD-10NXD-	100% - 1%	1 - 13	1 - 6
Lutron	Stanza® dimmer	SZ-6ND-	100% - 1%	1 - 8	1 - 4
Lutron	RadioRA® 2 adaptive dimmer	RRD-6NA-	100% - 1%	1 - 8	1 - 4
Lutron	RadioRA® 2 1000 W dimmer	RRD-10ND-	100% - 1%	1 - 6	1 - 3
Lutron	myRoom DIN power module	MQSE-4A1-D	100% - 1%	1 - 6	1 - 3
Lutron	HomeWorks® QS wallbox power module	HQRJ-WPM-6D-120-	100% - 1%	1 - 26	1 - 13
Lutron	Homeworks® DIN power module	LQSE-4A1-D	100% - 1%	1 - 6	1 - 3
Lutron	HomeWorks® wallbox power module	HWI-WPM-6D-120	100% - 1%	1 - 26	1 - 13
Lutron	GRAFIK Eye® QS control unit	QSGR-, QSGRJ-	100% - 1%	1 - 26	1 - 13
Lutron	GRAFIK Eye® 3000 control unit	GRX-3100-, GRX-3500-	100% - 1%	1 - 26	1 - 13
Lutron	RPM-4U module	HW-RPM-4U-120, LP-RPM-4U-120	100% - 1%	1 - 26	1 - 13
Lutron	RPM-4A module	HW-RPM-4A-120, LP-RPM-4A-120	100% - 1%	1 - 26	1 - 13
Lutron	GP dimming panels	Various	100% - 1%	1 - 26	1 - 13
Lutron	Ariadni CL 250W dimmer	AYCL-253P-	100%-1%	1 - 8	1 - 4
Lutron	Diva CL 250W dimmer	DVCL-253P-, DVSCCL-253P-	100%-1%	1 - 8	1 - 4
Lutron	Grafik T CL or RF CL dimmer	GT-250M-, GTJ-250M-	100%-1%	1 - 8	1 - 4
Lutron	Nova T CL 250W dimmer	NTCL-250-	100%-1%	1 - 10	1 - 5

* NOTE: Refer to dimmer manufacturer's documentation for installation instructions and circuit details.



BeveLED BLOCK® Downlight — BLSD5



BEVELED BLOCK® DOWNLIGHT



usailighting.com/block

BEVELED BLOCK® DOWNLIGHT - CONDUIT CUT OUT



Keep ceiling height right where it is! Specifically designed to work with surface-mounted conduit and junction boxes, BeveLED BLOCK has a modern look that's perfect for lofts, offices, and open architectural spaces. Also available with solid-sides styling shown above, Block also creates a finished look when recessed conduit is possible.

FEATURES

- High performance architectural lighting solution for industrial or exposed concrete ceiling types where recessed lighting is not an option
- Convenient conduit cutouts provide access for surface-mounted conduit to pass through the luminaire
- Smooth, modular solid and keyhole slots are interchangeable and user configurable to allow for simple on site customization in the field.
- BeveLED BLOCK is available in a range of standard and custom colors to complement your project, whether an industrial or refined look is desired.
- Industry leading illumination and craftsmanship

BEVELED BLOCK DOWNLIGHT PERFORMANCE DATA

LED COLOR CHOICES

DELIVERED* PERFORMANCE:	Classic White								Warm Glow Dimming	
	9W		12W		16W		24W		16W	
Color Rendering Index	80+ CRI	90+ CRI	80+ CRI	90+ CRI	80+ CRI	90+ CRI	80+ CRI	90+ CRI	80+ CRI	90+ CRI
Source Lumens:	1150	900	1300	1025	1725	1350	2400	1875	1275	1025
Lumens Per Watt:	100	74	93	73	93	72	86	67	69	55
Delivered Lumens:	850	675	1125	875	1475	1150	2050	1600	1100	875

*Performance data based on 3000K, 80+ CRI

CORRELATED COLOR TEMPERATURE	Classic White					Warm Glow Dimming		
	2200K	2700K	3000K	3500K	4000K	2700K	3000K	3500K
Color Rendering Index:	80+	80+ 90+	80+ 90+	80+	80+	80+ 90+	80+ 90+	80+
Multiplier for Lumen Output: 0.72		0.94 0.78	1.00 0.78	1.00	1.06	0.94 0.79	1.00 0.81	1.00

Page 1

usailighting.com
info@usailighting.com

T 845-565-8500
F 845-561-1130

1126 River Road
New Windsor, NY 12553

© 2016, USAI, LLC. All rights reserved.
All designs protected by copyright.
Covered by US Patents: 8,581,520, and 8,456,109.
Patents pending. USAI, BeveLED BLOCK are registered trademarks of USAI, LLC. Revised 05/25/2017

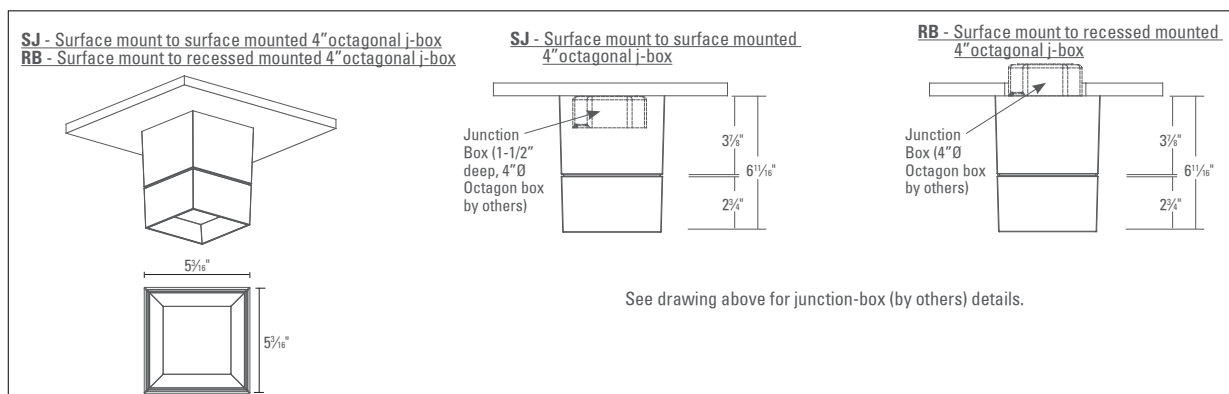
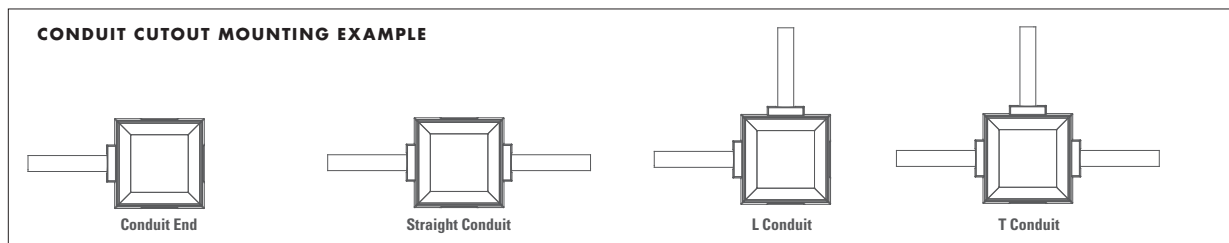
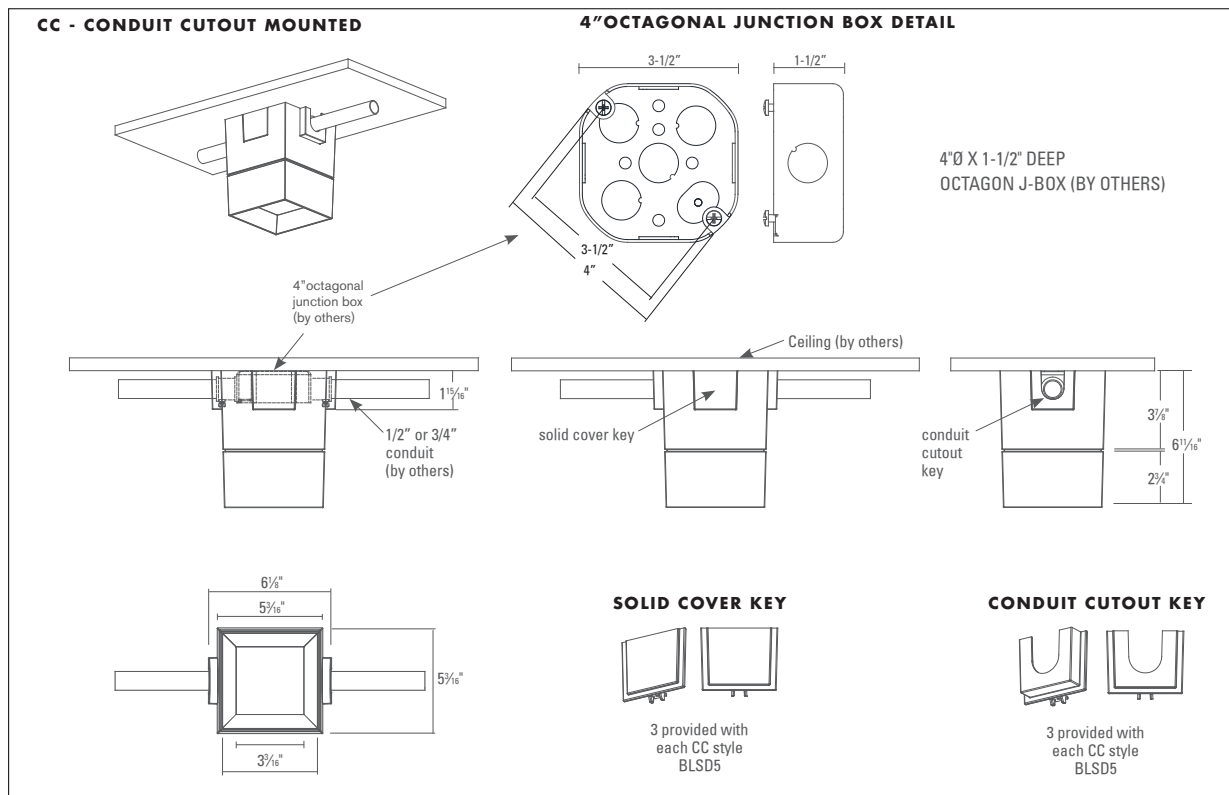


LUMINAIRE CUT SHEET
100% CD
10.16.2018

Wailuku Civic Hub
Maui, HI
Type: FE7/FE7A

Note: This Fixture Cut Is For Information Only. Refer To Specs For All Catalogue Numbers, Lamps, Finishes, Accessories, Etc

BeveLED BLOCK[®] Downlight — BLS5



BeveLED BLOCK® Downlight — BLS05

FAMILY	LED COLOR CHOICES			FIXTURE					
BLS05	Wattage Options	LED Color Temperature Options	Beam Options	Lens Options	Body Finish Options	Mounting Options	Voltage Options	Dimming Driver Options	
BLS05 BeveLED BLOCK 5" Square Downlight	Classic White			25 25° beam 50 50° beam 90 90° beam	S Solite (provided standard) BF Borosilicate Frosted	WH White BZ Statuary Bronze BL Black GR Metalized Grey SC Conduit Silver RAL Custom Color (specify RAL #)	CC Conduit cutout for surface mounted 4" octagonal junction box RB Surface mounted to recessed mounted 4" octagonal junction box SJ Surface mounted to surface mounted 4" octagonal junction box	UNV 120V-277V	For use with Universal Voltage 120V - 277V D2 0-10V dim, 10% (provided standard) D4 Lutron Hi-Lume 1% 3-wire/ECO (2) D4E Lutron 5 ECO, 5% (1, 2) D4H Lutron H ECO, 1% Fade (1, 2) D6A EldoLED 0-10V, 0.1%, logarithmic/Lutron controls (2) D6B EldoLED 0-10V, 0.1%, linear controls (2) D6E EldoLED 0-10V, 1%, logarithmic/Lutron controls (2) D6F EldoLED 0-10V, 1%, linear controls (2) D7 EldoLED DALI, 0.1% (2)
	Warm Glow Dimming								
	09C3 9W LED 12C3 12W LED 16C3 16W LED 24C3 24W LED	22KS 2200K, 80+ CRI 27KS 2700K, 80+ CRI 27KH 2700K, 90+ CRI 30KS 3000K, 80+ CRI 30KH 3000K, 90+ CRI 35KS 3500K, 80+ CRI 40KS 4000K, 80+ CRI					120V	For use with 120V only D3 Lutron Hi-Lume 1% 2-wire, 120V only (2) D19 Phase dimming 1%, 120V only (1, 3)	

BEVELED BLOCK SPECIFICATIONS

FIELD REPLACEABLE LED LIGHT ENGINE

is serviceable without tools. All USAI Lighting Classic White and Warm Glow Dimming light engines feature industry-leading color consistency

FIELD REPLACEABLE DRIVER

0-10V, 100%-10% solid state electronic constant current D2 dimming driver with a high power factor provided standard and sources 2mA. Other dimming drivers optionally available. D6 and D15 dimming drivers source 2mA. Driver complies with IEEE C62.41 surge protection. Some on-time delay may be experienced depending on control system used.

FIXTURE WEIGHT

BeveLED Block weighs 5 lbs

BODY

5-3/16" x 5-3/16" square die cast aluminum body available in a variety of powder coated paint finishes. Custom colors also available (provide RAL #).

MOUNTING

CC: Conduit cutout mounting fixtures are designed to mount to surface-mounted 4" octagonal junction boxes with surface-mounted conduit connections. CC housings have 4 keyslots, one in each side, and ship with one conduit cutout key and three solid cover keys installed in the housing. 2 additional conduit cutout keys are shipped with the fixture, and the different key types are interchangeable in the field. Please see installation instructions for drawings and more details.

RB: Recessed ceiling 4" octagonal junction box mounting fixtures are designed to mount to a ceiling retaining a recessed 4" octagonal junction box. The sides are solid and have no cutouts, please see drawings and installation instructions for more details.

SJ: Surface mounted 4" octagonal junction box mounting fixtures are designed to mount to a surface-mounted junction box that has electrical supply coming from the plenum (no surface-mounted conduit). The sides are solid and have no cutouts, please see drawings and installation instructions for more details

WARRANTY

Based on IESNA LM80-2008, BeveLED Block has a 50,000 hour rated life at 70% lumen maintenance (L70). USAI Lighting Warranty covers replacement parts for 5 years from date of shipment.

LISTINGS

Dry/Damp/Wet for RB and SJ mounting. CC mounting style is dry/damp only. NRTL/CSA-US tested to UL standards. IBEW union made.



NOTES

- Ambient temperatures at fixture location should not exceed 40°C during normal operation.
- Consult factory for video capture applications.
- For interior use only.

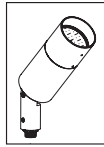
PHOTOMETRICS

Consult factory or website for IES files. Tested in accordance with IESNA LM79. www.usalighting.com/block



LUMINAIRE CUT SHEET
100% CD
10.16.2018

Wailuku Civic Hub
Maui, HI
Type: FE7/FE7A



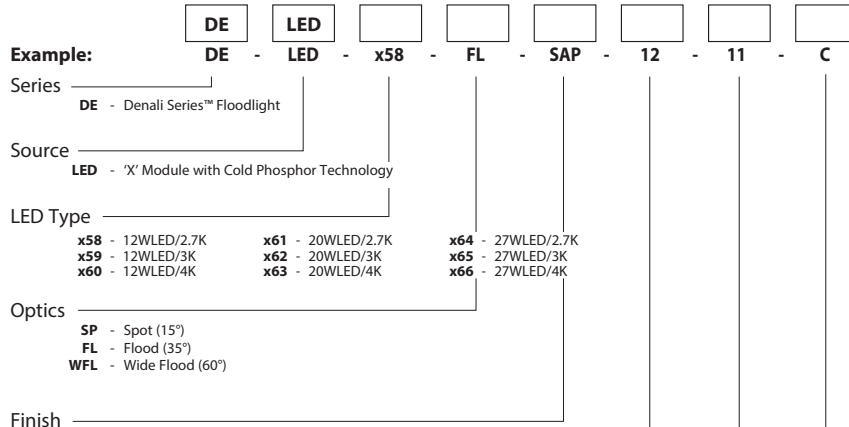
BKSSL
SOLID STATE LIGHTING
12-27W LED



DENALI SERIES™ FLOODLIGHT

PROJECT:	
TYPE:	
CATALOG NUMBER:	
SOURCE:	
NOTES:	

CATALOG NUMBER LOGIC



Configure Driver Housing Separately Driver Housing Required
INTEGRAL DRIVER HOUSINGS: HP2 - HP2 Housing PM2 - Universal Power Module 2 PM2D - Universal Power Module 2 Dual PC - Power Canopy PPII - Power Pipe II TMB - Pole Mount or Tenon Mount
REMOTE DRIVER HOUSINGS: HP2RM - HP2 Remote Housing PM2RM - Universal Power Module 2 Remote PM2DRM - Universal Power Module 2 Dual Remote RM - Remote Wall Mount DRM - Dual Remote Wall Mount

Aluminum Finish			Premium Finish		
Powder Coat Color	Satin	Wrinkle	ABP	CMG	RMG
Bronze	BZP	BZW	Antique Brass Powder	Cascade Mountain Granite	Rocky Mountain Granite
Black	BLP	BLW	AMG Aleutian Mountain Granite	CRI Cracked Ice	SDS Sonoran Desert Sandstone
White (Gloss)	WHP	WHW	AQW Antique White	CRM Cream	SMG Sierra Mountain Granite
Aluminum	SAP	—	BCM Black Chrome	HUG Hunter Green	TXF Textured Forest
Verde	—	VER	BGE Beige	MDS Mojave Desert Sandstone	WCP Weathered Copper
			BPP Brown Patina Powder	NBP Natural Brass Powder	WIR Weathered Iron
			CAP Clear Anodized Powder	OCP Old Copper	<i>Also available in RAL Finishes See submittal SUB-1439-00</i>

Lens Type

9 - Clear (Standard) **10** - Spread Lens* **12** - Soft Focus Lens* **13** - Rectilinear Lens*

Shielding

11 - Honeycomb Baffle*

**Accommodates up to 2 Lens/Shielding media*

Cap Style

A - 45° **B** - 90° **C** - Flush **D** - 45° less Weep Hole (Interior Use Only) **E** - 90° less Weep Hole (Interior Use Only)

B-K LIGHTING	40429 Brickyard Drive • Madera, CA 93636 • USA 559.438.5800 • FAX 559.438.5900 www.bklighting.com • info@bklighting.com	RELEASED 11-7-17	DRAWING NUMBER SUB001113
---------------------	---	---------------------	-----------------------------

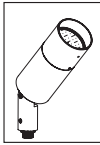
THIS DOCUMENT CONTAINS PROPRIETARY INFORMATION OF B-K LIGHTING, INC. AND ITS RECEIPT OR POSSESSION DOES NOT CONVEY ANY RIGHTS TO REPRODUCE, DISCLOSE ITS CONTENTS, OR TO MANUFACTURE, USE OR SELL ANYTHING IT MAY DESCRIBE. REPRODUCTION, DISCLOSURE OR USE WITHOUT SPECIFIC WRITTEN AUTHORIZATION OF B-K LIGHTING, INC. IS STRICTLY FORBIDDEN.



LUMINAIRE CUT SHEET
100% CD
10.16.2018

Wailuku Civic Hub
Maui, HI
Type: FE8

Note: This Fixture Cut Is For Information Only. Refer To Specs For All Catalogue Numbers, Lamps, Finishes, Accessories, Etc

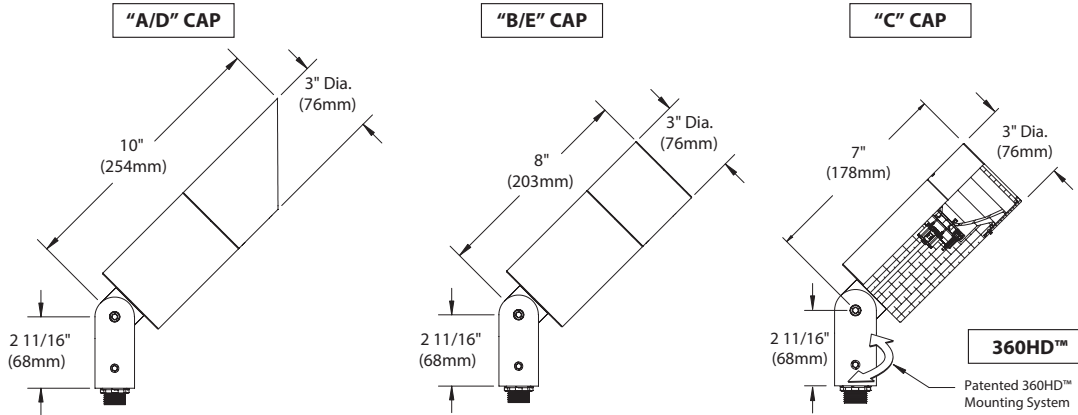


BKSSL
SOLID STATE LIGHTING
12-27W LED



DENALI SERIES™ FLOODLIGHT

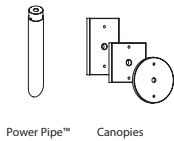
PROJECT:	
TYPE:	



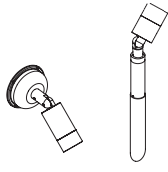
All dimensions indicated on this submittal are nominal.
Contact Technical Sales if you require more stringent specifications.

Accessories (Configure separately)

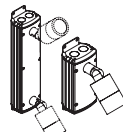
Mounting:



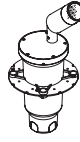
Power Pipe™ Canopies



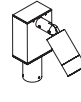
Power Canopy™ Power Pipe™



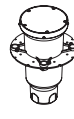
PM2D & PM2



HP2



TMB



HP2RM



PM2DRM & PM2RM



RM & DRM

Drivers (Configure separately)

Drivers:

SPECIFICATIONS

GreenSource Initiative™

Metal and packaging components are made from recycled materials. Manufactured using renewable solar energy, produced on site. Returnable to manufacturer at end of life to ensure cradle-to-cradle handling. Packaging contains no chlorofluorocarbons (CFC's). Use of this product may qualify for GreenSource efficacy and recycling rebate(s). Consult www.bklighting.com/greensource for program requirements.

Materials

Furnished in Copper-Free Aluminum (Type 6061-T6).

Body

Fully machined from solid billet. Unibody design provides enclosed, water-proof wireway and integral heat sink for maximum component life. Integral knuckle for maximum mechanical strength. High temperature, silicone 'O' Ring provides water-tight seal.

Knuckle

Patented 360HD™ Mounting System features a mechanical taper-lock, which allows a full 180° vertical adjustment without the use of serrated teeth, which inherently limit aiming. High temperature, silicone 'O' Ring provides water-tight seal and compressive resistance to maintain fixture position. Design withstands 73 lb. static load prior to movement to ensure decades of optical alignment. 1/2" pipe thread for mounting. Biaxial source control additionally provides 360° horizontal rotation in addition to vertical adjustment. 'Aim-And-Lock' Technology allows precision adjustment without the redundant tightening and loosening of knuckle screw.

Cap

Fully machined. Accommodates [2] lens or louver media. Choose from 45° cutoff ('A' or 'D'), 1" deep bezel with 90° cutoff ('B' or 'E') or flush lens ('C') cap styles. 'A' and 'B' caps include weep-hole for water and debris drainage. 'D' and 'E' caps exclude weep-hole and are for interior use only.

Lens

Shock resistant, tempered, glass lens is factory adhered to fixture cap and provides hermetically sealed optical compartment.

BKSSL®

Integrated solid state system with 'X' technology is scalable for field upgrade. Modular design with electrical quick disconnects permit field maintenance.

LM-80 certified. Minimum 50,000 hour rated life at 70% of initial lumens (L70). BKSSL technology provides long life, significant energy reduction and exceptional thermal management.

Color Management

Corrected cold phosphor technology delivers near-perfect natural white light. Long term phosphor maintenance over product life. Exact color point conformity exceeds ANSI C78.377 standard. Provides uniform beam with no color variation over angle. Module exceeds 80 CRI (RA>80, R9>16).

Remote Driver

For use with remote LED driver. See remote driver submittal to determine remote distance and wiring requirements prior to detailing field installation of any remote wiring.

Optics

Interchangeable OPTIKIT™ modules permit field changes to optical distribution.

Wiring

Teflon® coated, 18AWG, 600V, 250° C rated and certified to UL 1659 standard.

Hardware

Tamper-resistant, stainless steel hardware. 360HD™ hardware is additionally black oxide treated for additional corrosion resistance.

Finish

StarGuard®, our exclusive RoHS compliant, 15 stage chrome-free process cleans and conversion coats aluminum components prior to application of Class 'A' TGIC polyester powder coating.

Warranty

5 year limited warranty.

Certification and Listing

UL tested to IESNA LM-79. UL Listed. Certified to CAN/CSA/ANSI Standards. RoHS compliant. Suitable for indoor or outdoor use. Suitable for use in wet locations. Additionally suitable for installation within 4' of the ground. IP66 Rated. Made in USA.



*Teflon is a registered trademark of DuPont Corporation.
*Energy Star is a registered trademark of the United States Environmental Protection Agency.

B-K LIGHTING

40429 Brickyard Drive • Madera, CA 93636 • USA
559.438.5800 • FAX 559.438.5900
www.bklighting.com • info@bklighting.com

RELEASED
11-7-17

DRAWING NUMBER
SUB001113

360HD Patent is covered in whole or in part by U.S. Patent No. 6,161,948



LUMINAIRE CUT SHEET
100% CD
10.16.2018

Wailuku Civic Hub
Maui, HI
Type: FE8



LAMP DATA

x58, x59, x60, x61, x62, x63, x64, x65, x66

LM79 DATA				L70 DATA	OPTICAL DATA		
BK No.	CCT (Typ.)	CRI (Typ.)	Input Watts (Typ.)	Minimum Rated Life (hrs.) 70% of initial lumens (L70)	Angle	CBCP	Delivered Lumens
x58	2700K	80	12W	50,000	15°	3877	724
	2700K	80	12W	50,000	35°	1498	663
	2700K	80	12W	50,000	60°	629	625
x59	3000K	80	12W	50,000	15°	4059	758
	3000K	80	12W	50,000	35°	1568	694
	3000K	80	12W	50,000	60°	659	655
x60	4000K	80	12W	50,000	15°	4561	851
	4000K	80	12W	50,000	35°	1762	780
	4000K	80	12W	50,000	60°	740	736
x61	2700K	80	20W	50,000	15°	7098	1306
	2700K	80	20W	50,000	35°	2621	1124
	2700K	80	20W	50,000	60°	1048	1063
x62	3000K	80	20W	50,000	15°	7488	1378
	3000K	80	20W	50,000	35°	2765	1186
	3000K	80	20W	50,000	60°	1106	1121
x63	4000K	80	20W	50,000	15°	7800	1435
	4000K	80	20W	50,000	35°	2880	1235
	4000K	80	20W	50,000	60°	1152	1168
x64	2700K	80	27W	50,000	15°	15679	1769
	2700K	80	27W	50,000	35°	4656	1588
	2700K	80	27W	50,000	60°	1517	1386
x65	3000K	80	27W	50,000	15°	16190	1827
	3000K	80	27W	50,000	35°	4808	1640
	3000K	80	27W	50,000	60°	1567	1431
x66	4000K	80	27W	50,000	15°	17042	1923
	4000K	80	27W	50,000	35°	5061	1726
	4000K	80	27W	50,000	60°	1649	1506

OPTICS

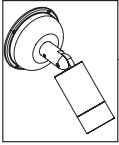
Optic	Angle
Spot	15°
Flood	35°
Wide Flood	60°

B-K LIGHTING	40429 Brickyard Drive • Madera, CA 93636 • USA 559.438.5800 • FAX 559.438.5900 www.bklighting.com • info@bklighting.com	RELEASED 11-20-2017	DRAWING NUMBER SUB-2581-00
---------------------	---	------------------------	-------------------------------



LUMINAIRE CUT SHEET
100% CD
10.16.2018

Wailuku Civic Hub
Maui, HI
Type: FE8



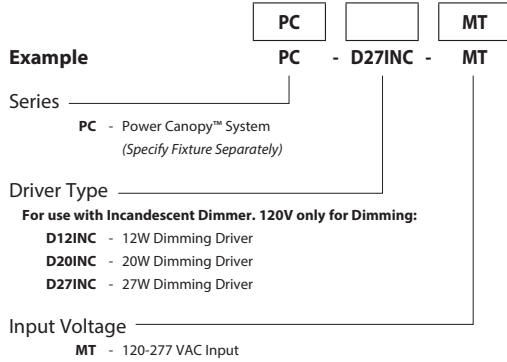
Constant Current Driver
Specify Fixture Separately



POWER CANOPY™ SYSTEM

PROJECT:	
TYPE:	
CATALOG NUMBER:	
LAMP(S):	
NOTES:	

CATALOG NUMBER LOGIC



DRIVER ELECTRICAL DATA

TYPE	AC INPUT RANGE	FREQUENCY HZ	DIMMING	POWER FACTOR AT FULL LOAD	THD	OPERATING AMBIENT TEMPERATURE	DIMMER TYPE	DIMMER RANGE	IN RUSH CURRENT
D12INC	105-305	50/60	YES	>0.94	≤5%	-30°C to 50°C (-22°F to 122°F)	Incandescent	10-100%	<250mA
D20INC	105-305	50/60	YES	>0.94	≤5%	-30°C to 50°C (-22°F to 122°F)	Incandescent	10-100%	<250mA
D27INC	100-277	50/60	YES	>0.90	≤20%	-30°C to 60°C (-22°F to 140°F)	Incandescent	10-100%	<10A

B-K LIGHTING	40429 Brickyard Drive • Madera, CA 93636 • USA 559.438.5800 • FAX 559.438.5900 www.bklighting.com • info@bklighting.com	RELEASED 12-15-16	DRAWING NUMBER SUB001186
---------------------	---	----------------------	-----------------------------

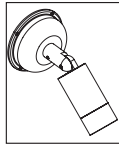
THIS DOCUMENT CONTAINS PROPRIETARY INFORMATION OF B-K LIGHTING, INC. AND ITS RECEIPT OR POSSESSION DOES NOT CONVEY ANY RIGHTS TO REPRODUCE, DISCLOSE ITS CONTENTS, OR TO MANUFACTURE, USE OR SELL ANYTHING IT MAY DESCRIBE. REPRODUCTION, DISCLOSURE OR USE WITHOUT SPECIFIC WRITTEN AUTHORIZATION OF B-K LIGHTING, INC. IS STRICTLY FORBIDDEN.



LUMINAIRE CUT SHEET
100% CD
10.16.2018

Wailuku Civic Hub
Maui, HI
Type: FE8

Note: This Fixture Cut Is For Information Only. Refer To Specs For All Catalogue Numbers, Lamps, Finishes, Accessories, Etc



Constant Current Driver
Specify Fixture Separately



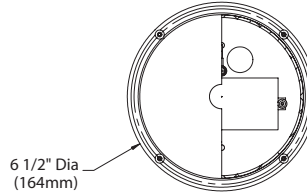
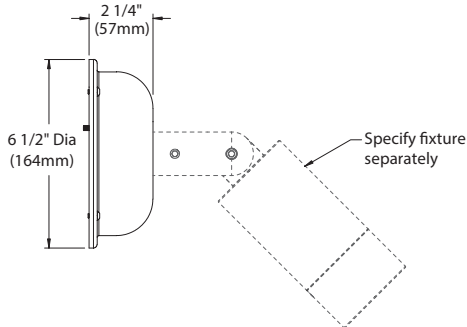
POWER CANOPY™ SYSTEM

PROJECT:

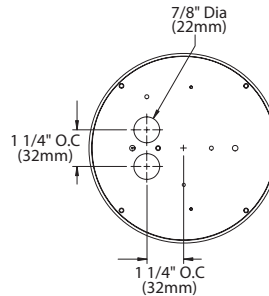
TYPE:

SINGLE FIXTURE

CANOPY



CANOPY MOUNTING PLATE



All dimensions indicated on this submittal are nominal.
Contact Technical Sales if you require more stringent specifications.

SPECIFICATIONS

GreenSource Initiative™

Metal and packaging components are made from recycled materials. Manufactured using renewable solar energy, produced on site. Returnable to manufacturer at end of life to ensure cradle-to-cradle handling. Packaging contains no chlorofluorocarbons (CFC's). Use of this product may qualify for GreenSource efficacy and recycling rebate(s). Consult www.bklighting.com/greensource for program requirements.

Installation

Universal design accommodates a single fixture (specified separately) and permits water-tight installation. Two wire entrance knockouts will accept 1/2" conduit or Romex connectors. Four 3/16" wall plate mounting holes. (Mounting hardware by others).

Canopy Housing

Manufactured from copper-free aluminum. Stainless steel hardware. Gasket provides watertight seal.

Driver

For use with [1] 700mA, Class A, constant current driver. 120-277VAC (nominal) primary input voltage. 50/60Hz. >0.94 Power Factor, <10.0A in-rush current, 0.25A input current, ≤5%THD (nominal at 120VAC full load). Output over-voltage, over-current, and short circuit protection with auto recovery. EMC: FCC47CFR Part 15 Class B compliant.

Dimming driver for use with standard incandescent dimmers. 10-100% range.

Wiring

Teflon® coated wire, 18AWG, 600V, 250° C rated and certified to UL 1659 standard.

Hardware

Tamper resistant, stainless steel hardware.

Finish

StarGuard®, our exclusive RoHS compliant, 15 stage chromate-free process cleans and conversion coats aluminum components prior to application of Class 'A' TGIC polyester powder coating. Finish to match fixture (specified separately.)

Warranty

5 year limited warranty.

Listings

UL listed. RoHS Compliant. Made in USA.



*Teflon is a registered trademark of DuPont Corporation

B-K LIGHTING

40429 Brickyard Drive • Madera, CA 93636 • USA
559.438.5800 • FAX 559.438.5900
www.bklighting.com • info@bklighting.com

RELEASED
12-15-16

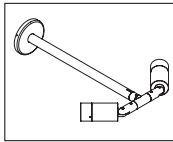
DRAWING NUMBER
SUB001186



LUMINAIRE CUT SHEET
100% CD
10.16.2018

Wailuku Civic Hub
Maui, HI
Type: FE8

Note: This Fixture Cut Is For Information Only. Refer To Specs For All Catalogue Numbers, Lamps, Finishes, Accessories, Etc



BKSL
BOLD STATE LIGHTING
12-27W LED



DENALI SERIES™
TWIN SIGN STAR™ STYLE C

PROJECT:	
TYPE:	
CATALOG NUMBER:	
SOURCE:	
NOTES:	

CATALOG NUMBER LOGIC

Example: **ST** - **48** - **C** - **DE** - **LED** - **x58** - **SP** - **SAP** - **12** - **11** - **A** - **SC**

Series **ST** - Twin Sign Star™
 Stem Length **48** - 24", 30", 36", 42", or 48"
 (Specify in inches)
 * Requires secondary support

Style **C** - Straight Mount

Fixture **DE** - Denali Series™

Source **LED** - 'X' Module with Cold Phosphor Technology

LED Type
x58 - 12WLED/2.7K **x61** - 20WLED/2.7K **x64** - 27WLED/2.7K
x59 - 12WLED/3K **x62** - 20WLED/3K **x65** - 27WLED/3K
x60 - 12WLED/4K **x63** - 20WLED/4K **x66** - 27WLED/4K

Optics
SP - Spot (15°)
FL - Flood (35°)
WFL - Wide Flood (60°)

Finish

Standard Finish			Premium Finish		
Powder Coat Color	Satin	Wrinkle	ABP	CMG	RMG
Bronze	BZP	BZW	Antique Brass Powder	Cascade Mountain Granite	Rocky Mountain Granite
Black	BLP	BLW	AMG Aleutian Mountain Granite	CRI Cracked Ice	SDS Sonoran Desert Sandstone
White (Gloss)	WHP	WHW	AQW Antique White	CRM Cream	SMG Sierra Mountain Granite
Aluminum	SAP	—	BCM Black Chrome	HUG Hunter Green	TXF Textured Forest
Verde	—	VER	BGE Beige	MDS Mojave Desert Sandstone	WCP Weathered Copper
			BPP Brown Patina Powder	NBP Natural Brass Powder	WIR Weathered Iron
			CAP Clear Anodized Powder	OCP Old Copper	<i>Also available in RAL Finishes See submittal SUB-1439-00</i>

Lens Type **9** - Clear (Standard) **10** - Spread Lens* **12** - Soft Focus Lens* **13** - Rectilinear Lens*

Shielding **11** - Honeycomb Baffle*

Cap Style **A** - 45° **B** - 90° **C** - Flush **D** - 45° less Weep Hole (Interior Use Only) **E** - 90° less Weep Hole (Interior Use Only)

Options **SC** - Safety Cable w/ Mounting Canopy (standard with 42" and above)

Configure Driver Housing Separately
Driver Housing Required
REMOTE DRIVER HOUSINGS:
PM2DRM - Universal Power Module 2 Dual Remote
DRM - Dual Remote Wall Mount

*Accommodates up to 2 Lens/Shielding media

B-K LIGHTING	40429 Brickyard Drive • Madera, CA 93636 • USA 559.438.5800 • FAX 559.438.5900 www.bklighting.com • info@bklighting.com	RELEASED 11-7-17	DRAWING NUMBER SUB-2341-00
---------------------	---	---------------------	-------------------------------

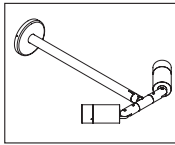
THIS DOCUMENT CONTAINS PROPRIETARY INFORMATION OF B-K LIGHTING, INC. AND ITS RECEIPT OR POSSESSION DOES NOT CONVEY ANY RIGHTS TO REPRODUCE, DISCLOSE ITS CONTENTS, OR TO MANUFACTURE, USE OR SELL ANYTHING IT MAY DESCRIBE. REPRODUCTION, DISCLOSURE OR USE WITHOUT SPECIFIC WRITTEN AUTHORIZATION OF B-K LIGHTING, INC. IS STRICTLY FORBIDDEN.



LUMINAIRE CUT SHEET
 100% CD
 10.16.2018

Wailuku Civic Hub
 Maui, HI
 Type: **FE9**

Note: This Fixture Cut Is For Information Only. Refer To Specs For All Catalogue Numbers, Lamps, Finishes, Accessories, Etc



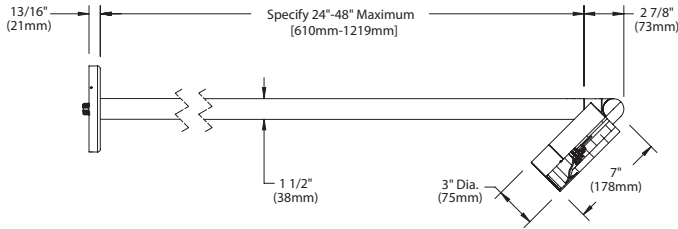
BKSSL
RECYCLED STATE LIGHTING
12-27W LED



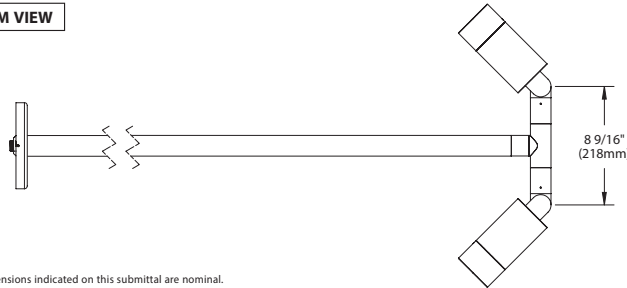
DENALI SERIES™ TWIN SIGN STAR™ STYLE C

PROJECT:	
TYPE:	

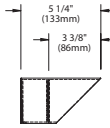
SIDE VIEW



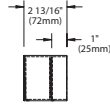
BOTTOM VIEW



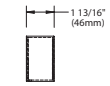
"A/D" CAP



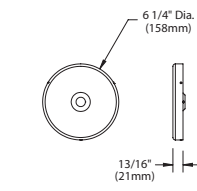
"B/E" CAP



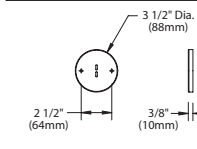
"C" CAP



COVER DETAIL

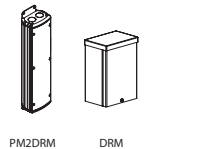


SAFETY CABLE W/MOUNTING CANOPY



Standard w/ 42" & 48" lengths
Optional w/ 24", 30" & 36" lengths

Drivers (Configure separately)



All dimensions indicated on this submittal are nominal. Contact Technical Sales if you require more stringent specifications.

SPECIFICATIONS

GreenSource Initiative™
Metal and packaging components are made from recycled materials. Manufactured using renewable solar energy, produced on-site. Returnable to manufacturer at end of life to ensure cradle-to-cradle handling. Packaging contains no chlorofluorocarbons (CFC's). Use of this product may qualify for GreenSource efficacy and recycling rebate(s). Consult www.bklighting.com/greensource for program requirements.

Materials
Furnished in Copper-Free Aluminum (Type 6061-T6).

Style
'C' Style provides straight profile with machined adapter for 90° transition from fixture to stem.

Body
Fully machined from solid billet. Unibody design provides enclosed, water-proof wireway and integral heat sink for maximum component life. Integral knuckle for maximum mechanical strength. High temperature, silicone 'O' Ring provides water-tight seal.

Knuckle
Patented 360HD™ Mounting System features a mechanical taper-lock, which allows a full 180° vertical adjustment without the use of serrated teeth, which inherently limit aiming. High temperature, silicone 'O' Ring provides water-tight seal and compressive resistance to maintain fixture position. Design withstands 73 lb. static load prior to movement to ensure decades of optical alignment. 1/2" pipe thread for mounting. Biaxial source control additionally provides 360° horizontal rotation in addition to vertical adjustment. 'Aim-And-Lock' Technology allows precision adjustment without the redundant tightening and loosening of knuckle screw.

Cap
Fully machined. Accommodates [2] lens or louver media. Choose from 45° cutoff ('A' or 'D'), 1" deep bezel with 90° cutoff ('B' or 'E') or flush lens ('C') cap styles. 'A' and 'B' caps include weep-hole for water and debris drainage. 'D' and 'E' caps exclude weep-hole and are for interior use only.

Lens
Shock resistant, tempered, glass lens is factory adhered to fixture cap and provides hermetically sealed optical compartment.

BKSSL®
Integrated solid state system with 'X' technology is scalable for field upgrade. Modular design with electrical quick disconnects permit field maintenance.

LM-80 certified. Minimum 50,000 hour rated life at 70% of initial lumens (L70). BKSSL technology provides long life, significant energy reduction and exceptional thermal management.

Color Management
Corrected cold phosphor technology delivers near-perfect natural white light. Long term phosphor maintenance over product life. Exact color point conformity exceeds ANSI C78.377 standard. Provides uniform beam with no color variation over angle. Module exceeds 80 CRI (RA>80, R9>16).

Remote Driver
For use with remote LED driver. See remote driver submittal to determine remote distance and wiring requirements prior to detailing field installation of any remote wiring.

Optics
Interchangeable OPTIKIT™ modules permit field changes to optical distribution.

Installation
6 1/4" dia., machined canopy permits mounting to 4" octagonal junction box. Junction box installation must be designed to hold full fulcrum weight of fixture (junction box and gasket by others). Optional safety cable with mounting canopy maintains secondary support (standard with 42" and 48" lengths).

Wiring
Teflon® coated, 18AWG, 600V, 250°C rated and certified to UL 1659 standard.

Hardware
Tamper-resistant, stainless steel hardware. LOCK™ aiming screw and canopy mounting screws are additionally black oxide treated for additional corrosion resistance.

Finish
StarGuard®, our exclusive RoHs compliant, 15 stage chromate-free process cleans and conversion coats aluminum components prior to application of Class 'A' TGIC polyester powder coating.

Warranty
5 year limited warranty.

Certification and Listing
UL tested to IESNA LM-79. UL Listed. Certified to CAN/CSA/ANSI Standards. RoHs compliant. Suitable for indoor or outdoor use. Suitable for use in wet locations. Additionally suitable for installation within 4' of the ground. IP66 Rated. Made in USA.



*Teflon is a registered trademark of DuPont Corporation.

B-K LIGHTING	40429 Brickyard Drive • Madera, CA 93636 • USA 559.438.5800 • FAX 559.438.5900 www.bklighting.com • info@bklighting.com	RELEASED 11-7-17	DRAWING NUMBER SUB-2341-00



LUMINAIRE CUT SHEET
100% CD
10.16.2018

Wailuku Civic Hub
Maui, HI
Type: FE9



LAMP DATA

x58, x59, x60, x61, x62, x63, x64, x65, x66

LM79 DATA				L70 DATA	OPTICAL DATA		
BK No.	CCT (Typ.)	CRI (Typ.)	Input Watts (Typ.)	Minimum Rated Life (hrs.) 70% of initial lumens (L70)	Angle	CBCP	Delivered Lumens
x58	2700K	80	12W	50,000	15°	3877	724
	2700K	80	12W	50,000	35°	1498	663
	2700K	80	12W	50,000	60°	629	625
x59	3000K	80	12W	50,000	15°	4059	758
	3000K	80	12W	50,000	35°	1568	694
	3000K	80	12W	50,000	60°	659	655
x60	4000K	80	12W	50,000	15°	4561	851
	4000K	80	12W	50,000	35°	1762	780
	4000K	80	12W	50,000	60°	740	736
x61	2700K	80	20W	50,000	15°	7098	1306
	2700K	80	20W	50,000	35°	2621	1124
	2700K	80	20W	50,000	60°	1048	1063
x62	3000K	80	20W	50,000	15°	7488	1378
	3000K	80	20W	50,000	35°	2765	1186
	3000K	80	20W	50,000	60°	1106	1121
x63	4000K	80	20W	50,000	15°	7800	1435
	4000K	80	20W	50,000	35°	2880	1235
	4000K	80	20W	50,000	60°	1152	1168
x64	2700K	80	27W	50,000	15°	15679	1769
	2700K	80	27W	50,000	35°	4656	1588
	2700K	80	27W	50,000	60°	1517	1386
x65	3000K	80	27W	50,000	15°	16190	1827
	3000K	80	27W	50,000	35°	4808	1640
	3000K	80	27W	50,000	60°	1567	1431
x66	4000K	80	27W	50,000	15°	17042	1923
	4000K	80	27W	50,000	35°	5061	1726
	4000K	80	27W	50,000	60°	1649	1506

OPTICS

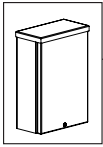
Optic	Angle
Spot	15°
Flood	35°
Wide Flood	60°

B-K LIGHTING	40429 Brickyard Drive • Madera, CA 93636 • USA	RELEASED	DRAWING NUMBER
	559.438.5800 • FAX 559.438.5900 www.bklighting.com • info@bklighting.com	11-20-2017	SUB-2581-00



LUMINAIRE CUT SHEET
100% CD
10.16.2018

Wailuku Civic Hub
Maui, HI
Type: FE9



Constant Current Driver



NEMA 3R Dual Remote Driver Housing

PROJECT:	
TYPE:	
CATALOG NUMBER:	
LAMP(S):	
NOTES:	

CATALOG NUMBER LOGIC



Example

Remote Driver Housing ———
DRM - NEMA 3R Remote Driver Housing
(Specify Fixture Separately)

Driver Type ———
For use with Incandescent Dimmer. 120V only for Dimming:
D12INC - (2) 12W Dimming Driver
D20INC - (2) 20W Dimming Driver
D27INC - (2) 27W Dimming Driver

Finish ———

Standard Finish		
Powder Coat Color	Satin	Wrinkle
Bronze	BZP	BZW
Black	BLP	BLW
White (Gloss)	WHP	WHW
Aluminum	SAP	—
Verde	—	VER

Premium Finish		
ABP Antique Brass Powder	CMG Cascade Mountain Granite	RMG Rocky Mountain Granite
AMG Aleutian Mountain Granite	CRI Cracked Ice	SDS Sonoran Desert Sandstone
AQW Antique White	CRM Cream	SMG Sierra Mountain Granite
BCM Black Chrome	HUG Hunter Green	TXF Textured Forest
BGE Beige	MDS Mojave Desert Sandstone	WCP Weathered Copper
BPP Brown Patina Powder	NBP Natural Brass Powder	WIR Weathered Iron
CAP Clear Anodized Powder	OCP Old Copper	<i>Also available in RAL Finishes See submittal SUB-1439-00</i>

Input Voltage ———
MT - 120-277 VAC Input

⚠ REMOTE WIRING

LED Driver
 Remote driver installations require inter-connected wiring between the LED and driver (by others). Drivers have specific wiring requirements between these components. Driver manufacturers regularly recommend the following wiring details for such installations:

- Do not exceed 50 foot overall wiring distance using 12 gauge copper wire.

Failure to comply with specific wiring requirements will void product warranty.

DRIVER ELECTRICAL DATA

TYPE	AC INPUT RANGE	FREQUENCY HZ	DIMMING	POWER FACTOR AT FULL LOAD	THD	OPERATING AMBIENT TEMPERATURE	DIMMER TYPE	DIMMER RANGE	IN RUSH CURRENT
D12INC	105-305	50/60	YES	>0.94	≤5%	-30°C to 50°C (-22°F to 122°F)	Incandescent	10-100%	<250mA
D20INC	105-305	50/60	YES	>0.94	≤5%	-30°C to 50°C (-22°F to 122°F)	Incandescent	10-100%	<250mA
D27INC	100-277	50/60	YES	>0.90	≤20%	-30°C to 60°C (-22°F to 140°F)	Incandescent	10-100%	<10A

B-K LIGHTING	40429 Brickyard Drive • Madera, CA 93636 • USA 559.438.5800 • FAX 559.438.5900 www.bklighting.com • info@bklighting.com	RELEASED 06-30-2017	DRAWING NUMBER SUB-2593-00
---------------------	---	------------------------	-------------------------------

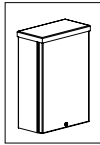
THIS DOCUMENT CONTAINS PROPRIETARY INFORMATION OF B-K LIGHTING, INC. AND ITS RECEIPT OR POSSESSION DOES NOT CONVEY ANY RIGHTS TO REPRODUCE, DISCLOSE ITS CONTENTS, OR TO MANUFACTURE, USE OR SELL ANYTHING IT MAY DESCRIBE. REPRODUCTION, DISCLOSURE OR USE WITHOUT SPECIFIC WRITTEN AUTHORIZATION OF B-K LIGHTING, INC. IS STRICTLY FORBIDDEN.



LUMINAIRE CUT SHEET
 100% CD
 10.16.2018

Wailuku Civic Hub
 Maui, HI
 Type: **FE9**

Note: This Fixture Cut Is For Information Only. Refer To Specs For All Catalogue Numbers, Lamps, Finishes, Accessories, Etc



BKSSL
SOLID STATE LIGHTING

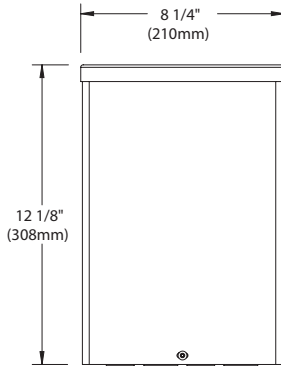
Constant Current Driver



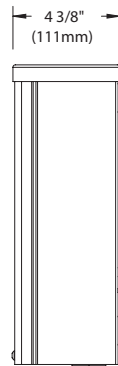
NEMA 3R Dual Remote Driver Housing

PROJECT:	
TYPE:	

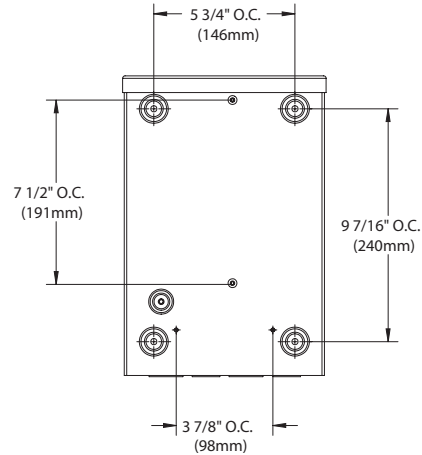
FRONT VIEW



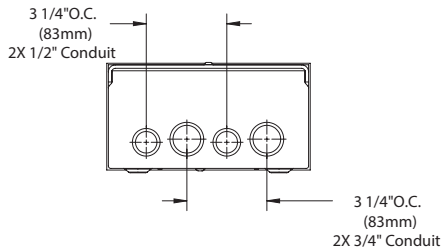
SIDE VIEW



BACK VIEW



END VIEW



SPECIFICATIONS

GreenSource Initiative™

Metal and packaging components are made from recycled materials. Manufactured using renewable solar energy, produced on site. Returnable to manufacturer at end of life to ensure cradle-to-cradle handling. Packaging contains no chlorofluorocarbons (CFC's). Use of this product may qualify for GreenSource efficacy and recycling rebate(s). Consult www.bklighting.com/greensource for program requirements.

Installation

Nema 3R, surface mount design. For use with remote fixtures (specified separately).

Housing

Steel construction with screw cover. Front access for ease of installation and inspection. [2] bottom entry, 3/4" conduit knockouts.

Wiring / Connectors

Teflon™ coated wire, 18 gauge, 600V, 250°C rated and certified to UL1659 standard. Pre-wired and labeled terminal strip.

Driver (12-27W)

For use with [2] 700mA (D12, D20, D27), Class A, constant current drivers. 120-277VAC (nominal) primary input voltage. 50/60Hz. >0.94 Power Factor, <10.0A in-rush current, 0.25A input current, ≤20%THD (nominal at 120VAC full load). Output over-voltage, over-current, and short circuit protection with auto recovery. EMC: FCC47CFR Part 15 Class B compliant. Dimming driver for use with standard incandescent dimmers. 10-100% range.

Finish

StarGuard®, our exclusive RoHs compliant, 15 stage chromate-free process cleans and conversion coats aluminum components prior to application of Class 'A' TGIC polyester powder coating.

Warranty

5 year limited warranty.

Listings

NEMA 3R Enclosure. UL Listed. Certified to CAN/CSA/ANSI Standards. RoHs compliant. Made in USA.



©Teflon is a registered trademark of DuPont Corporation.

B-K LIGHTING

40429 Brickyard Drive • Madera, CA 93636 • USA
559.438.5800 • FAX 559.438.5900
www.bklighting.com • info@bklighting.com

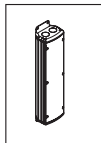
RELEASED
06-30-2017

DRAWING NUMBER
SUB-2593-00



LUMINAIRE CUT SHEET
100% CD
10.16.2018

Wailuku Civic Hub
Maui, HI
Type: FE9



UNIVERSAL POWER MODULE



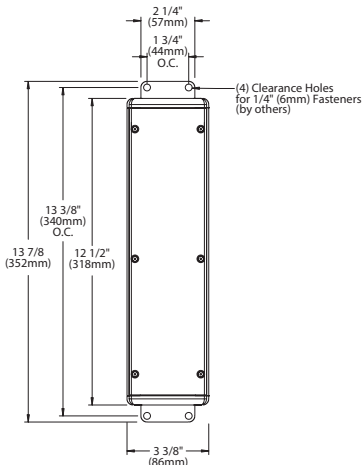
Constant Current Driver



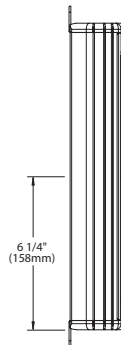
PM2 DUAL RM SURFACE MOUNT

PROJECT:	
TYPE:	

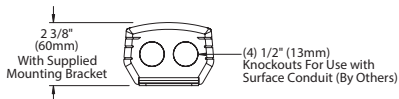
TOP VIEW



SIDE VIEW



END VIEW



SPECIFICATIONS

GreenSource Initiative™

Metal and packaging components are made from recycled materials. Manufactured using renewable solar energy, produced on site. Returnable to manufacturer at end of life to ensure cradle-to-cradle handling. Packaging contains no chlorofluorocarbons (CFC's). Use of this product may qualify for GreenSource efficacy and recycling rebate(s). Consult www.bklighting.com/greensource for program requirements.

Surface Mount

For use with side entry, surface conduits. Stainless steel mounting brackets provide for direct anchor to architectural surfaces in any orientation.

Housing

Copper free, aluminum extrusion with die cast end caps. Surface mounted with flow through back channel to prevent water and debris collection. Machined aluminum cover with countersunk holes for flush hardware installation. Tamper-resistant, captive, black oxide stainless steel mounting screws. Front access for ease of installation and inspection. [2] 1/2" NPT female conduit entries per end cap for through wiring.

Installation Tether

Stainless steel cable with integral loop allows cover to temporarily suspend from housing during installation to simplify wire connection and component attachment.

Patented Knockouts

[4] 1/2" NPT, machined aluminum knockouts. High temperature, silicone 'O' Ring for water-tight seal. Patented design allows knockout to be reinserted without compromising seal integrity.

Driver (12-27W)

For use with [2] 700mA (D12, D20, D27), Class A, constant current drivers. 120-277VAC (nominal) primary input voltage. 50/60Hz. >0.94 Power Factor, <10.0A in-rush current, 0.25A input current, ≤5%THD (nominal at 120VAC full load). Output over-voltage, over-current, and short circuit protection with auto recovery. EMC: FCC47CFR Part 15 Class B compliant. Driver wattage must match Fixture wattage.

Dimming driver for use with standard incandescent dimmers. 10-100% range.

Finish

StarGuard®, our exclusive RoHs compliant, 15 stage chromate-free process cleans and conversion coats aluminum components prior to application of Class 'A' TGIC polyester powder coating.

Warranty

5 year limited warranty.

Listings

NEMA 4X / IP-66 Rated Enclosure. UL Listed. Certified to CAN/CSA/ANSI Standards. RoHs compliant. Made in USA.

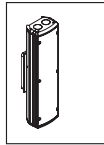


B-K LIGHTING	40429 Brickyard Drive • Madera, CA 93636 • USA 559.438.5800 • FAX 559.438.5900 www.bklighting.com • info@bklighting.com	RELEASED 11-20-2017	DRAWING NUMBER SUB-2606-00
	UPM's Patented knockouts are covered by U.S. Patent No. 6,940,012 B2		



LUMINAIRE CUT SHEET
100% CD
10.16.2018

Wailuku Civic Hub
Maui, HI
Type: FE9



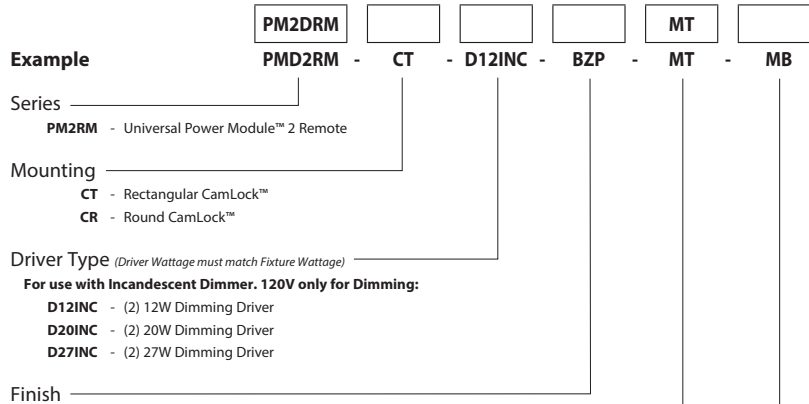
UNIVERSAL POWER MODULE
UPM
BISSL
SOLID STATE LIGHTING



PM2 DUAL RM JUNCTION BOX (CAMLOCK™)

PROJECT:	
TYPE:	
CATALOG NUMBER:	
LAMP(S):	
NOTES:	

CATALOG NUMBER LOGIC



⚠ REMOTE WIRING

LED Driver
Remote driver installations require inter-connected wiring between the LED and driver (by others). Drivers have specific wiring requirements between these components. Driver manufacturers regularly recommend the following wiring details for such installations:

- Do not exceed 50 foot overall wiring distance using 12 gauge copper wire.

Failure to comply with specific wiring requirements will void product warranty.

Standard Finish			Premium Finish		
Powder Coat Color	Satin	Wrinkle	ABP	CMG	RMG
Bronze	BZP	BZW	AMG Aleutian Mountain Granite	CRI Cracked Ice	SDS Sonoran Desert Sandstone
Black	BLP	BLW	AQW Antique White	CRM Cream	SMG Sierra Mountain Granite
White (Gloss)	WHP	WHW	BCM Black Chrome	HUG Hunter Green	TXF Textured Forest
Aluminum	SAP	—	BGE Beige	MDS Mojave Desert Sandstone	WCP Weathered Copper
Verde	—	VER	BPP Brown Patina Powder	NBP Natural Brass Powder	WIR Weathered Iron
			CAP Clear Anodized Powder	OCF Old Copper	<i>Also available in RAL Finishes See submittal SUB-1439-00</i>

Input Voltage **MT** - 120-277 VAC Input

Options **MB** - Mounting Brackets

DRIVER ELECTRICAL DATA

TYPE	AC INPUT RANGE	FREQUENCY HZ	DIMMING	POWER FACTOR AT FULL LOAD	THD	OPERATING AMBIENT TEMPERATURE	DIMMER TYPE	DIMMER RANGE	IN RUSH CURRENT
D12INC	105-305	50/60	YES	>0.94	≤5%	-30°C to 50°C (-22°F to 122°F)	Incandescent	10-100%	<250mA
D20INC	105-305	50/60	YES	>0.94	≤5%	-30°C to 50°C (-22°F to 122°F)	Incandescent	10-100%	<250mA
D27INC	100-277	50/60	YES	>0.90	≤20%	-30°C to 60°C (-22°F to 140°F)	Incandescent	10-100%	<10A

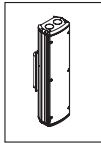
B-K LIGHTING	40429 Brickyard Drive • Madera, CA 93636 • USA 559.438.5800 • FAX 559.438.5900 www.bklighting.com • info@bklighting.com	RELEASED 11-20-2017	DRAWING NUMBER SUB-2608-00
---------------------	---	------------------------	-------------------------------

THIS DOCUMENT CONTAINS PROPRIETARY INFORMATION OF B-K LIGHTING, INC. AND ITS RECEIPT OR POSSESSION DOES NOT CONVEY ANY RIGHTS TO REPRODUCE, DISCLOSE ITS CONTENTS, OR TO MANUFACTURE, USE OR SELL ANYTHING IT MAY DESCRIBE. REPRODUCTION, DISCLOSURE OR USE WITHOUT SPECIFIC WRITTEN AUTHORIZATION OF B-K LIGHTING, INC. IS STRICTLY FORBIDDEN.



LUMINAIRE CUT SHEET
100% CD
10.16.2018

Wailuku Civic Hub
Maui, HI
Type: **FE9**



UNIVERSAL POWER MODULE
UPM

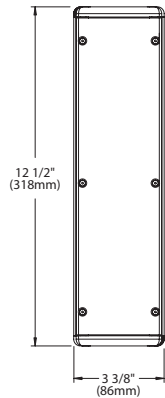
BKGL
SOLID STATE LIGHTING

Constant Current Driver

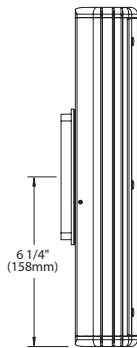
PM2 DUAL RM JUNCTION BOX (CAMLOCK™)

PROJECT:	
TYPE:	

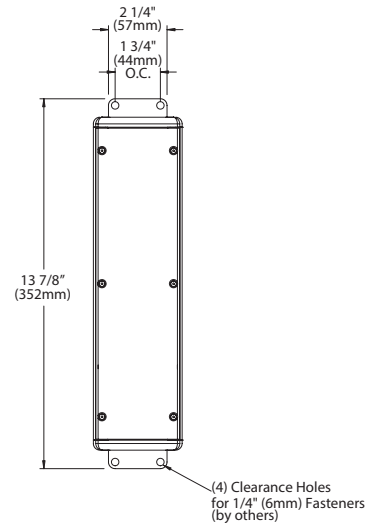
TOP VIEW



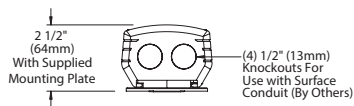
SIDE VIEW



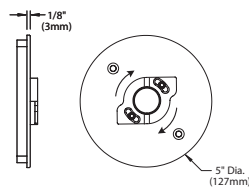
OPTIONAL MOUNTING BRACKET



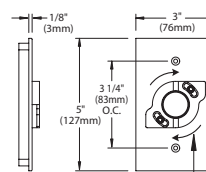
END VIEW



ROUND CAMLOCK™ CANOPY



RECTANGULAR CAMLOCK™ CANOPY



SPECIFICATIONS

GreenSource Initiative™

Metal and packaging components are made from recycled materials. Manufactured using renewable solar energy, produced on site. Returnable to manufacturer at end of life to ensure cradle-to-cradle handling. Packaging contains no chlorofluorocarbons (CFC's). Use of this product may qualify for GreenSource efficacy and recycling rebate(s). Consult www.bklighting.com/greensource for program requirements.

Round CamLock™ Canopy (Recessed Junction Box)

5" diameter, machined aluminum construction. Includes stainless steel universal mounting ring for use with 4" octagonal junction box. [2] tamper-resistant, black oxide stainless steel mounting screws. 1/8" thick HT-805A silicone foam gasket for water-tight seal. Integral CamLock™ provides additional 30° adjustment for precision alignment of UPM regardless of junction box orientation. Integral wiper seal maintains water-tight integrity between UPM and junction box. Optional stainless steel mounting brackets may be specified to provide additional anchor to architectural surface.

Rectangular CamLock™ Canopy (Recessed Junction Box)

Machined aluminum, 3" x 5" rectangular canopy for use with single gang junction box. [2] tamper resistant, black oxide stainless steel mounting screws. 1/8" thick HT-805A silicone foam gasket for water-tight seal. Integral

CamLock™ provides additional 30° adjustment for precision alignment of UPM regardless of junction box orientation. Integral wiper seal maintains water-tight integrity between UPM and junction box. Optional stainless steel mounting brackets may be specified to provide additional anchor to architectural surface.

Housing

Copper free, aluminum extrusion with die cast end caps. Surface mounted with flow through back channel to prevent water and debris collection. Machined aluminum cover with countersunk holes for flush hardware installation. Tamper-resistant, captive, black oxide stainless steel mounting screws. Front access for ease of installation and inspection. [2] 1/2" NPT female conduit entries per end cap for through wiring.

Installation Tether

Stainless steel cable with integral loop allows cover to temporarily suspend from housing during installation to simplify wire connection and component attachment.

Patented Knockouts

[4] 1/2" NPT, machined aluminum knockouts. High temperature, silicone 'O' Ring for water-tight seal. Patented design allows knockout to be reinserted without compromising seal integrity.

Driver (12-27W)

For use with [2] 700mA (D12, D20, D27), Class A, constant current drivers. 120-277VAC (nominal) primary input voltage. 50/60Hz. >0.94 Power Factor, <10.0A in-rush current, 0.25A input current, ≤5%THD (nominal at 120VAC full load). Output over-voltage, over-current, and short circuit protection with auto recovery. EMC: FCC47CFR Part 15 Class B compliant. Driver wattage must match Fixture wattage.

Dimming driver for use with standard incandescent dimmers. 10-100% range.

Finish

StarGuard®, our exclusive RoHS compliant, 15 stage chromate-free process cleans and conversion coats aluminum components prior to application of Class 'A' TGIC polyester powder coating.

Warranty

5 year limited warranty.

Listings

NEMA 4X / IP-66 Rated Enclosure. ETL Listed to ANSI/UL Standard 50/50E and Certified to CAN/CSA Standard C22.2 No. 94.1/94.2. RoHS compliant. Made in USA.



B-K LIGHTING	40429 Brickyard Drive • Madera, CA 93636 • USA 559.438.5800 • FAX 559.438.5900 www.bklighting.com • info@bklighting.com	RELEASED 11-20-2017	DRAWING NUMBER SUB-2608-00
	<p>UPM's Patented knockouts are covered by U.S. Patent No. 6,940,012 B2</p>		



LUMINAIRE CUT SHEET
100% CD
10.16.2018

Wailuku Civic Hub
Maui, HI
Type: FE9

WT802

High Efficacy Exterior Rated Deep Profile Fixture



Custom Lengths

Pre-assembled: ≤ 8 ft. (96 in)

Max Length is 8 ft. (96 in)

Made in the USA

Fabricated with high quality American aluminum and premium UV stable optics

IP66*

Wet Location, Sealed with gaskets

Not meant to be submerged, adequate drainage required

CAUTIONS FOR WET TRACK

Attempted Field Modifications Void Warranty.

IP66 rating includes high pressure spray, but fixture is not meant to ever become submerged under any circumstances. **Adequate drainage provisions must be installed in every installation.** Aion LED will not be held responsible for product failure from liquid ingress due to installation error. Bent sections may not be water tight. If a fixture is damaged in transit, please bring it to the attention of the distributor immediately for replacement.



Tested as suitable for use within clothing closet spaces by ETL/ Intertek

Must be installed in accordance with NEC 410.16 for use in clothing closet spaces

See separate installation instructions
Patent Pending - Made in the USA

PRELIMINARY SPECIFICATION, SUBJECT TO CHANGE WITHOUT NOTICE

Component of a complete system including: Aion LED A-Track Light Engine, Aion LED A-Track housing with diffuser lens, & Aion LED driver (power supply). Dimmer not included. Approved dimmers, controls, power supplies, cable, & other components only. Contact Aion LED for questions regarding compatibility. Electrician installed. Strictly adhere to NEC & local building code. Limited 5-year warranty against manufacturing defects only, does not cover labor; voided by: inadequate ventilation, field modifications, installation by unqualified personnel, unapproved controls, drivers, cabling, other devices, not following installation guidelines & protocol, general negligence. Installer assumes all liability with regard to property & safety. This product is UL listed. See separate "Aion LED Warranty Terms" & additional instructional materials for more information. Authorized installers only. Systems tested prior to shipping.



AIONLED.COM | (415) 255-AION

Modified: October 6, 2017

© 2017 Aion LED. All Rights Reserved



LUMINAIRE CUT SHEET
100% CD
10.16.2018

Wailuku Civic Hub
Maui, HI
Type: FE10

Customization Options

WT-Series fixtures are semi custom and made to order. If an additional option or feature is needed, please contact Aion LED to discuss.



Profile

Deep

Lens

Frosted

Finish

Anodized Silver
 Anodized Dark Bronze
 Custom Color -
 Additional Lead Time

Length

Pre-assembled:
 ≤ 8 ft. (96 in)

Max Length is 8 ft.

**Attempted Field
 Modifications Void
 Warranty.**

Mounting

Standard Mounting Clips
 HD Adhesive backing
 Pivot Mounting Clip

Wiring

24" Leads
 48" Leads
 Custom length leads
 M/F Disconnect Plugs
 Color: White/ Black

Wet Track fixtures ship assembled and Include:
 WT Series housing, lens, end caps, end cap screws, wire grommets, mounting clips, seals & gaskets

Tested as suitable for use within
 clothing closet spaces by ETL/ Intertek

Must be installed in accordance with
 NEC 410.16 for use in clothing closet
 spaces

See separate installation instructions
 Patent Pending - Made in the USA



PRELIMINARY SPECIFICATION, SUBJECT TO CHANGE WITHOUT NOTICE

Component of a complete system including: Aion LED A-Track Light Engine, Aion LED A-Track housing with diffuser lens, & Aion LED driver (power supply). Dimmer not included. Approved dimmers, controls, power supplies, cable, & other components only. Contact Aion LED for questions regarding compatibility. Electrician installed. Strictly adhere to NEC & local building code. Limited 5-year warranty against manufacturing defects only, does not cover labor; voided by: inadequate ventilation, field modifications, installation by unqualified personnel, unapproved controls, drivers, cabling, other devices, not following installation guidelines & protocol, general negligence. Installer assumes all liability with regard to property & safety. This product is UL listed. See separate "Aion LED Warranty Terms" & additional instructional materials for more information. Authorized installers only. Systems tested prior to shipping.



AIONLED.COM | (415) 255-AION

Modified: October 6, 2017

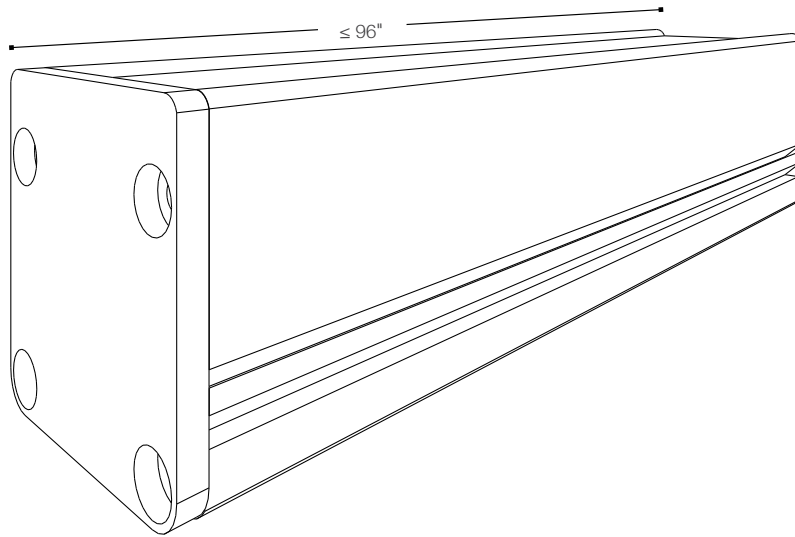
© 2017 Aion LED. All Rights Reserved



LUMINAIRE CUT SHEET
 100% CD
 10.16.2018

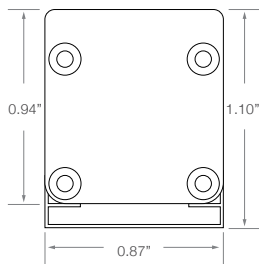
Wailuku Civic Hub
 Maui, HI
 Type: **FE10**

WT802
IP66 Deep Profile



NOT TO SCALE

Dimensions
NOT TO SCALE



Compatibility

DIRECT VIEW	INDIRECT VIEW
9524-FR	9524-FR
1524-LE	1524-LE
8924-LE	8924-LE
4924-LE	4924-LE
3924-LE	3924-LE
6524-CT3022-LE	6524-CT3022-LE
1524-CT3022-LE	1524-CT3022-LE
8924-CT3022-LE	8924-CT3022-LE
8924-RGBW-LE	8924-RGBW-LE
	7000-RGB
	5000-RGB

PRELIMINARY SPECIFICATION, SUBJECT TO CHANGE WITHOUT NOTICE

Component of a complete system including: Aion LED A-Track Light Engine, Aion LED A-Track housing with diffuser lens, & Aion LED driver (power supply). Dimmer not included. Approved dimmers, controls, power supplies, cable, & other components only. Contact Aion LED for questions regarding compatibility. Electrician installed. Strictly adhere to NEC & local building code. Limited 5-year warranty against manufacturing defects only, does not cover labor; voided by: inadequate ventilation, field modifications, installation by unqualified personnel, unapproved controls, drivers, cabling, other devices, not following installation guidelines & protocol, general negligence. Installer assumes all liability with regard to property & safety. This product is UL listed. See separate "Aion LED Warranty Terms" & additional instructional materials for more information. Authorized installers only. Systems tested prior to shipping.



AIONLED.COM | (415) 255-AION

Modified: October 6, 2017

© 2017 Aion LED. All Rights Reserved



LUMINAIRE CUT SHEET
100% CD
10.16.2018

Wailuku Civic Hub
Maui, HI
Type: **FE10**

AION LED OPTICS

UV stabilized and won't yellow in direct sunlight

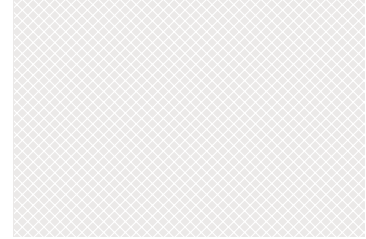
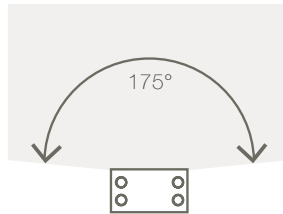
Frosted

Widest Angle

Mid-Transmittance

100% Diffusion

See direct view for
compatible light engines



Component of a complete system including: Aion LED A-Track Light Engine, Aion LED A-Track housing with diffuser lens, & Aion LED driver (power supply). Dimmer not included. Approved dimmers, controls, power supplies, cable, & other components only. Contact Aion LED for questions regarding compatibility. Electrician installed. Strictly adhere to NEC & local building code. Limited 5-year warranty against manufacturing defects only, does not cover labor; voided by: inadequate ventilation, field modifications, installation by unqualified personnel, unapproved controls, drivers, cabling, other devices, not following installation guidelines & protocol, general negligence. Installer assumes all liability with regard to property & safety. This product is UL listed. See separate "Aion LED Warranty Terms" & additional instructional materials for more information. Authorized installers only. Systems tested prior to shipping.



AIONLED.COM | (415) 255-AION

Modified: October 6, 2017

© 2017 Aion LED. All Rights Reserved



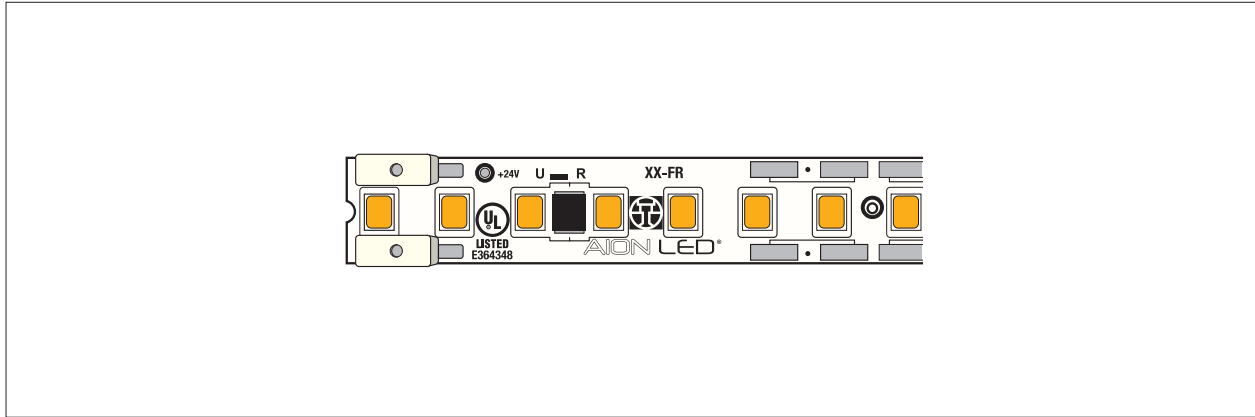
LUMINAIRE CUT SHEET
100% CD
10.16.2018

Wailuku Civic Hub
Maui, HI
Type: **FE10**

PRELIMINARY SPECIFICATION, SUBJECT TO CHANGE WITHOUT NOTICE

FR Type

Ultra Bright Rigid Board Luminaire
with Scored Option



Ultra Bright

1,100+ Lumens per foot. Bright enough for primary applications

Field Configurable, Break to Fit

Rigid Board with 4" increment
A-Cord Poke-in Connector System compatible*

Made in the USA

Designed, Engineered & Assembled in the USA

Requires

Heat Sink, Aion LED Driver, Approved Controller, AT, WT or ST Series
Housing. Sold Separately, Not Included

Tested as suitable for use within clothing closet spaces by ETL/ Intertek

Must be installed in accordance with NEC 410.16 for use in clothing closet spaces

* See included instructions for a clean break that doesn't damage circuit board



PRELIMINARY SPECIFICATION, SUBJECT TO CHANGE WITHOUT NOTICE

Component of a complete system including: Aion LED A-Track Light Engine, Aion LED A-Track housing with diffuser lens, & Aion LED driver (power supply). Dimmer not included. Approved dimmers, controls, power supplies, cable, & other components only. Contact Aion LED for questions regarding compatibility. Electrician installed. Strictly adhere to NEC & local building code. Limited 5-year warranty against manufacturing defects only, does not cover labor; voided by: inadequate ventilation, field modifications, installation by unqualified personnel, unapproved controls, drivers, cabling, other devices, not following installation guidelines & protocol, general negligence. Installer assumes all liability with regard to property & safety. This product is UL listed. See separate "Aion LED Warranty Terms" & additional instructional materials for more information. Authorized installers only. Systems tested prior to shipping.

AION LED®
AIONLED.COM | (415) 255-AION
Modified: December 22, 2017
© 2017 Aion LED. All Rights Reserved



LUMINAIRE CUT SHEET
100% CD
10.16.2018

Wailuku Civic Hub
Maui, HI
Type: **FE10**

PRELIMINARY SPECIFICATION, SUBJECT TO CHANGE WITHOUT NOTICE

95+ CRI White
Single Bin



ZERO DIM™

- 22** 2150K • 95+ CRI **35** 3450K • 95+ CRI
- 24** 2350K • 95+ CRI **40** 3950K • 95+ CRI
- 27** 2650K • 95+ CRI **55** 5500K • 85+ CRI
- 30** 2950K • 95+ CRI

10.7W /ft.*
≤ 1,100 Lumens /ft.*

Rated lifetime:
50,000 hours min.

Available in 12" & 48"
connectible end to end

Minimum Increment: 4"

Scored Rigid Board Option
Available
SKU: 9524-FRS

Requires

Heat Sink, Aion LED Driver, Approved Controller, AT, WT or ST Series
Housing. Sold Separately, Not Included

Tested as suitable for use within
clothing closet spaces by ETL/ Intertek

Must be installed in accordance with
NEC 410.16 for use in clothing closet
spaces



PRELIMINARY SPECIFICATION, SUBJECT TO CHANGE WITHOUT NOTICE

Component of a complete system including: Aion LED A-Track Light Engine, Aion LED A-Track housing with diffuser lens, & Aion LED driver (power supply). Dimmer not included. Approved dimmers, controls, power supplies, cable, & other components only. Contact Aion LED for questions regarding compatibility. Electrician installed. Strictly adhere to NEC & local building code. Limited 5-year warranty against manufacturing defects only, does not cover labor; voided by: inadequate ventilation, field modifications, installation by unqualified personnel, unapproved controls, drivers, cabling, other devices, not following installation guidelines & protocol, general negligence. Installer assumes all liability with regard to property & safety. This product is UL listed. See separate "Aion LED Warranty Terms" & additional instructional materials for more information. Authorized installers only. Systems tested prior to shipping.



AIONLED.COM | (415) 255-AION
Modified: December 22, 2017

© 2017 Aion LED. All Rights Reserved

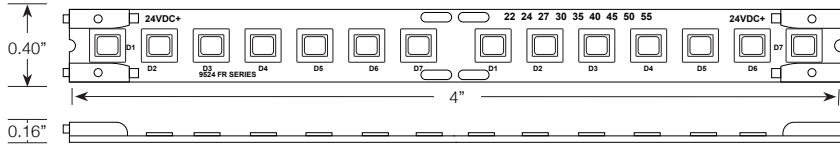


LUMINAIRE CUT SHEET
100% CD
10.16.2018

Wailuku Civic Hub
Maui, HI
Type: **FE10**

PRELIMINARY SPECIFICATION, SUBJECT TO CHANGE WITHOUT NOTICE

9524-FR
Ultra High Output Luminaire with Rigid Board



10.7 W /ft.*
≤ 1,100 Lumens /ft.*

Rated lifetime:
50,000 hours min.

Available in 12" & 48"
connectible end to end

Minimum Increment: 4"

Max run:
8 ft. per Class 2 Limit

Requires Heat Sink

Also available:
9524-FRS Scored Rigid Board

	9524-22-FR	9524-24-FR	9524-27-FR	9524-30-FR	9524-35-FR	9524-40-FR	9524-55-FR
Total Lumens	840.13		1004.98	1047.29	1094.83	1117.04	
Input Power (W)	10.70		10.67	10.75	10.69	10.7	
Efficacy	79		94	97	102	105	
Color Rendering Index (CRI)	95		97	98	97	96	
R9	82.02		92.62	89.68	97.92	94.96	
Input Voltage (VDC)	24	24	24	24	24	24	24
Input Current (AMP)	0.45		0.44	0.45	0.45	0.44	
Correlated Color Temperature	2150K	2350K	2650K	2950K	3450K	3950K	5500K



PRELIMINARY SPECIFICATION, SUBJECT TO CHANGE WITHOUT NOTICE

Component of a complete system including: Aion LED A-Track Light Engine, Aion LED A-Track housing with diffuser lens, & Aion LED driver (power supply). Dimmer not included. Approved dimmers, controls, power supplies, cable, & other components only. Contact Aion LED for questions regarding compatibility. Electrician installed. Strictly adhere to NEC & local building code. Limited 5-year warranty against manufacturing defects only, does not cover labor, voided by: inadequate ventilation, field modifications, installation by unqualified personnel, unapproved controls, drivers, cabling, other devices, not following installation guidelines & protocol, general negligence. Installer assumes all liability with regard to property & safety. This product is UL listed. See separate "Aion LED Warranty Terms" & additional instructional materials for more information. Authorized installers only. Systems tested prior to shipping.

AION LED®
AIONLED.COM | (415) 255-AION
Modified: December 22, 2017
© 2017 Aion LED. All Rights Reserved



LUMINAIRE CUT SHEET
100% CD
10.16.2018

Wailuku Civic Hub
Maui, HI
Type: **FE10**

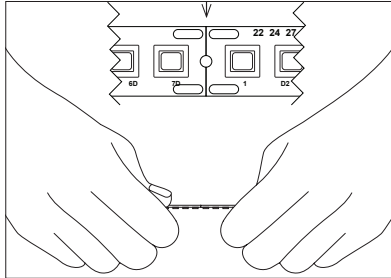
PRELIMINARY SPECIFICATION, SUBJECT TO CHANGE WITHOUT NOTICE

FR & FRS Type Assembly Instructions

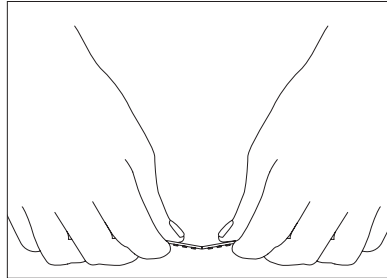
Product ships as 48", 12" and FRS-12 (12" 3 x 4"). Requires Aion LED A-Cord Interconnect pins and cable to connect multiple sections together. FRS-12 includes a frangible circuitboard featuring break to fit technology. Maximum run is 8 ft. (96") per Class 2 limit.

FRS-12 Break to Fit

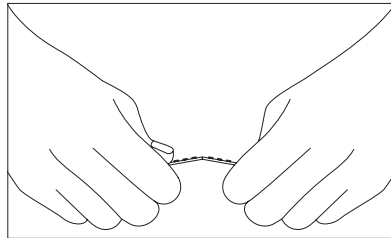
In order to make 4" and 8" sections follow the instructions to break on score marks



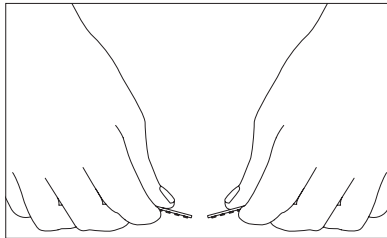
1) Grasp the FR Type light engine on either side of the scored mark



2) Gently apply firm pressure to bend the light engine away from you



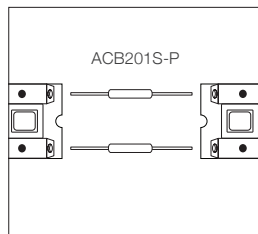
3) Carefully bend the light engine in the opposite direction



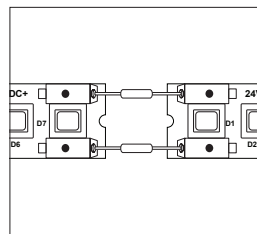
4) Gently reapply firm pressure to bend the light engine away from you until it snaps in two pieces

Poke-In Connector

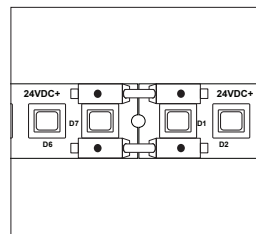
FR & FRS Type



1) Strip back Aion LED A-Cord Interconnect Cable or Pin to expose .33" on either side. Line up with FR Series Connectors



2) Insert Solid Core A-Cord into FR Series Poke-In Connectors



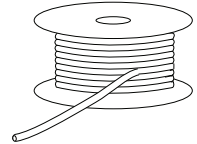
3) Gently snap into place for a secure fit.

FR Type Part Numbers

Aion LED FR Type

Part Number	Length
9524-XX-FR-48	48"
9524-XX-FR-12	12"
9524-XX-FRS-12	12" (3 x 4")

Aion LED A-Cord Interconnect Cable
Black Jacket
UL Listed



Part Number	Aion Solid-Core Cable
ACB201S-1	12"
ACB201S-500	500 ft. Spool
ACB201S-P	1" Solid Core Pin



PRELIMINARY SPECIFICATION, SUBJECT TO CHANGE WITHOUT NOTICE

Component of a complete system including: Aion LED A-Track Light Engine, Aion LED A-Track housing with diffuser lens, & Aion LED driver (power supply). Dimmer not included. Approved dimmers, controls, power supplies, cable, & other components only. Contact Aion LED for questions regarding compatibility. Electrician installed. Strictly adhere to NEC & local building code. Limited 5-year warranty against manufacturing defects only, does not cover labor; voided by: inadequate ventilation, field modifications, installation by unqualified personnel, unapproved controls, drivers, cabling, other devices, not following installation guidelines & protocol, general negligence. Installer assumes all liability with regard to property & safety. This product is UL listed. See separate "Aion LED Warranty Terms" & additional instructional materials for more information. Authorized installers only. Systems tested prior to shipping.



AIONLED.COM | (415) 255-AION

Modified: December 22, 2017

© 2017 Aion LED. All Rights Reserved



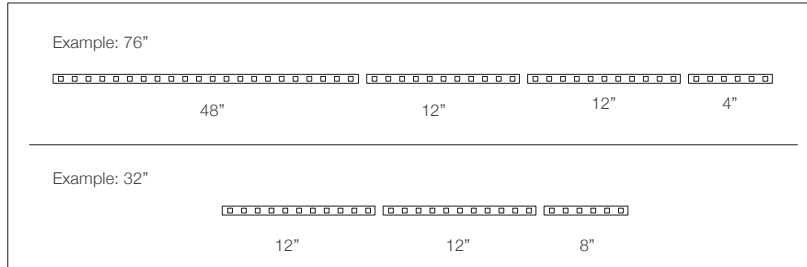
LUMINAIRE CUT SHEET
100% CD
10.16.2018

Wailuku Civic Hub
Maui, HI
Type: FE10

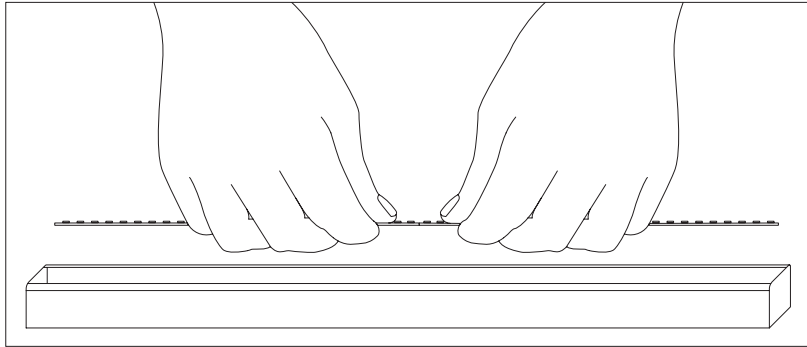
PRELIMINARY SPECIFICATION, SUBJECT TO CHANGE WITHOUT NOTICE

FR & FRS Type Installation Instructions

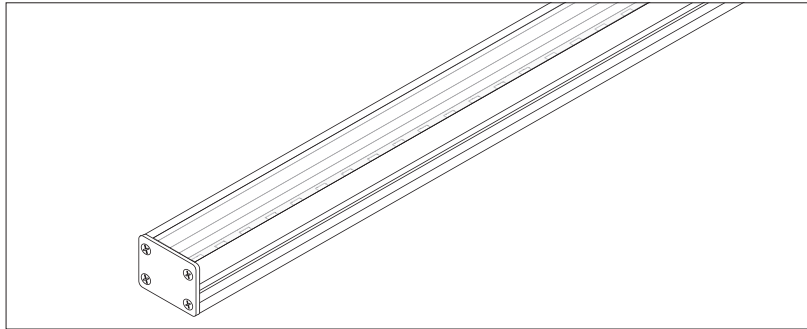
FR Type must be mounted to a heat-sink. Prepare mounting surface by cleaning with provided alcohol pad.



1) Layout all parts on a table to determine which parts and pieces go together based on how many fixtures and what fixture lengths are required. Maximum run is 8 ft. (96") per Class 2 limit.



2) Center assembled circuitboard within A-Track housing and carefully adhere with included heat-sink tape. **Heat-sink tape is permanent and bonds instantly.** Ensure that the circuitboard is installed correctly the first time.



3) Complete fixture per housing assembly instructions.



PRELIMINARY SPECIFICATION, SUBJECT TO CHANGE WITHOUT NOTICE

Component of a complete system including: Aion LED A-Track Light Engine, Aion LED A-Track housing with diffuser lens, & Aion LED driver (power supply). Dimmer not included. Approved dimmers, controls, power supplies, cable, & other components only. Contact Aion LED for questions regarding compatibility. Electrician installed. Strictly adhere to NEC & local building code. Limited 5-year warranty against manufacturing defects only, does not cover labor; voided by: inadequate ventilation, field modifications, installation by unqualified personnel, unapproved controls, drivers, cabling, other devices, not following installation guidelines & protocol, general negligence. Installer assumes all liability with regard to property & safety. This product is UL listed. See separate "Aion LED Warranty Terms" & additional instructional materials for more information. Authorized installers only. Systems tested prior to shipping.



AIONLED.COM | (415) 255-AION

Modified: December 22, 2017

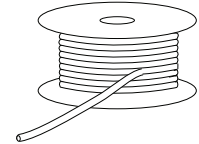
© 2017 Aion LED. All Rights Reserved

FR Type Part Numbers

Aion LED FR Type

Part Number	Length
9524-XX-FR-48	48"
9524-XX-FR-12	12"
9524-XX-FRS-12	12" (3 x 4")

Aion LED A-Cord Interconnect Cable Black Jacket UL Listed



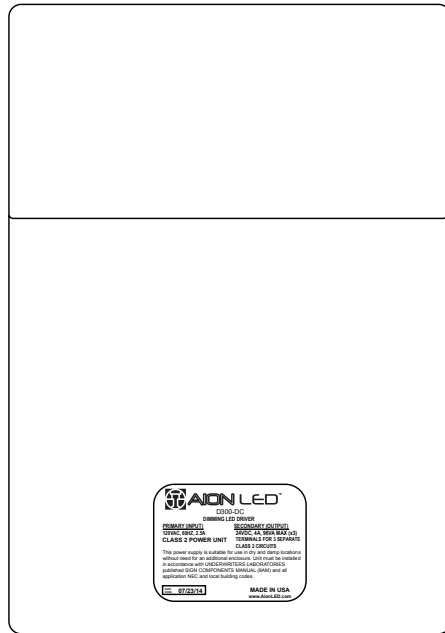
Part Number	Aion Solid-Core Cable
ACB201S-1	12"
ACB201S-500	500 ft. Spool
ACB201S-P	1" Solid Core Pin



LUMINAIRE CUT SHEET
100% CD
10.16.2018

Wailuku Civic Hub
Maui, HI
Type: FE10

D300-DC3
3 x 96W WATT MLV DRIVER



- Premium Class 2 Dimming LED Driver
- Magnetic Low Voltage Transformer
- Pure DC MOSFET Supply
- Fully Regulated
- 0.1% DIMMING*
- MADE IN USA
- Multiple Inputs Available:
120, 240, 277 VAC
- UL LISTED 8750,
CSA Approved
- NEMA 3R Outdoor Case
- Manual reset overload protection
- 5 Year Warranty

Electrician Installed - Strictly adhere to NEC & local code. Requires minimum 4" space in all directions. Requires adequate ventilation. Use dedicated circuit Isolated from other appliances. Load 40 - 90%

Requires Aion LED brand lighting fixture and approved dimmer or switch. Sold separately, not included

DO NOT USE PHASE ADAPTIVE CONTROLS FORWARD PHASE MLV CONTROLS ONLY

*SEE APPROVED CONTROLS LIST



Component of a complete system including: Aion LED A-Track Light Engine, Aion LED A-Track housing with diffuser lens, & Aion LED driver (power supply). Dimmer not included. Approved dimmers, controls, power supplies, cable, & other components only. Contact Aion LED for questions regarding compatibility. Electrician installed. Strictly adhere to NEC & local building code. Limited 5-year warranty against manufacturing defects only, does not cover labor; voided by: inadequate ventilation, field modifications, installation by unqualified personnel, unapproved controls, drivers, cabling, other devices, not following installation guidelines & protocol, general negligence. Installer assumes all liability with regard to property & safety. This product is UL listed. *See separate "Aion LED Warranty Terms" & additional instructional materials for more information. Authorized installers only. *Systems tested prior to shipping.



AIONLED.COM | (415) 255-AION
Modified: September 11, 2017
© 2017 Aion LED. All Rights Reserved

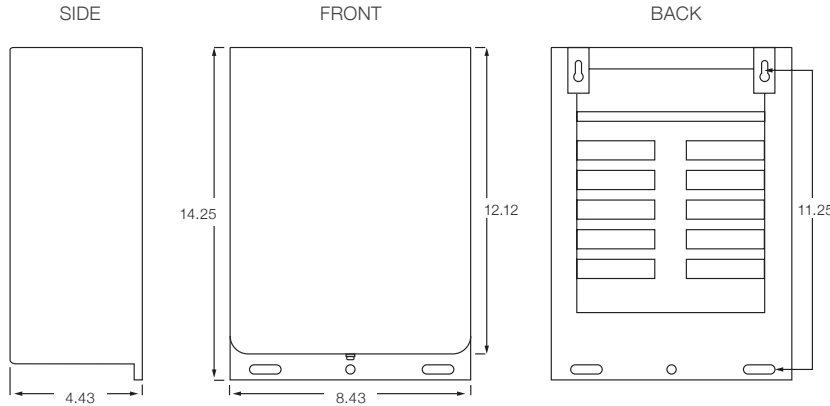


LUMINAIRE CUT SHEET
100% CD
10.16.2018

Wailuku Civic Hub
Maui, HI
Type: **FE10**

D300-DC3

3 x 96W WATT MLV DRIVER



Premium Class 2 Dimming
LED Driver

Magnetic Low Voltage Transformer

Pure DC MOSFET Supply

Fully Regulated

0.1% DIMMING*
MADE IN USA

UL LISTED 8750,
CSA Approved

NEMA 3R Outdoor Case

Manual reset overload protection

Model	D300-DC3	Watts	3x 96W
Standard Input Voltage	120 VAC	Dimensions "	14.25 x 8.43 x 4.43
Output Voltage Loaded	24 VDC	Input Current	2.5A
Output Current	3 x 96W Class 2 Circuits	Input Frequency (Hz)	50-60
Current Limit	2.5/4.5 +/- 0.25	Efficiency	80%
Load Regulation	2%	MTBF	100,000
Line Regulation	5%	Operating Environment	-30 to +60
Function Surface Temp	-40 to +80		

Max Lengths

3000 Series	180 ft. (6 x 30)
4000 Series	90 ft. (3 x 30)
8000 Series	45 ft. (3 x 15)

Max Wire Distance

18 AWG	27 ft.
16 AWG	44 ft.
14 AWG	70 ft.
12 AWG	112 ft.
10 AWG	180 ft.
8 AWG	286 ft.



DO NOT USE PHASE-ADAPTIVE CONTROLS
FORWARD PHASE MLV CONTROLS ONLY
*SEE APPROVED CONTROLS LIST

Component of a complete system including: Aion LED A-Track Light Engine, Aion LED A-Track housing with diffuser lens, & Aion LED driver (power supply). Dimmer not included. Approved dimmers, controls, power supplies, cable, & other components only. Contact Aion LED for questions regarding compatibility. Electrician installed. Strictly adhere to NEC & local building code. Limited 5-year warranty against manufacturing defects only, does not cover labor; voided by: inadequate ventilation, field modifications, installation by unqualified personnel, unapproved controls, drivers, cabling, other devices, not following installation guidelines & protocol, general negligence. Installer assumes all liability with regard to property & safety. This product is UL listed. *See separate "Aion LED Warranty Terms" & additional instructional materials for more information. Authorized installers only. *Systems tested prior to shipping.



AIONLED.COM | (415) 255-AION
Modified: September 11, 2017
© 2017 Aion LED. All Rights Reserved

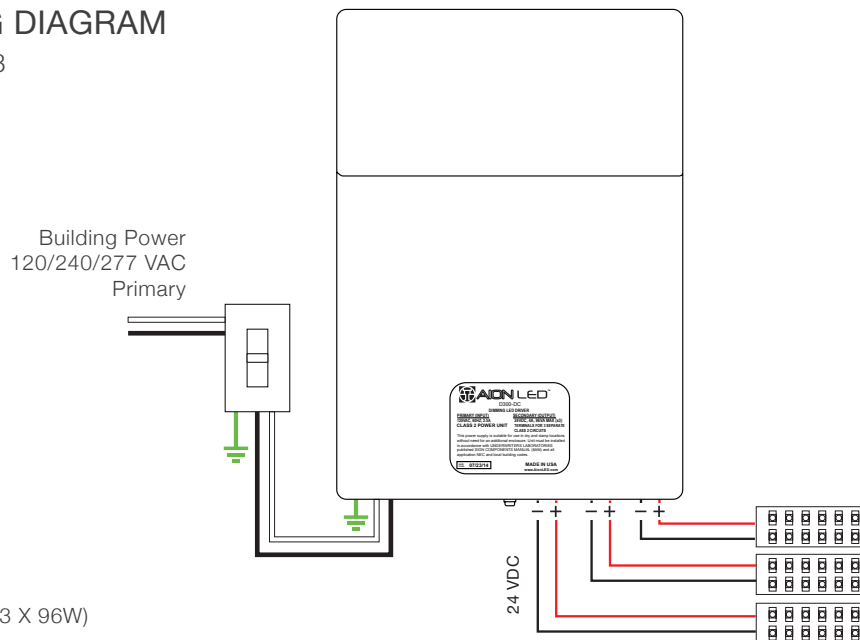


LUMINAIRE CUT SHEET
100% CD
10.16.2018

Wailuku Civic Hub
Maui, HI
Type: FE10

WIRING DIAGRAM

D300-DC3



D300-DC3 (3 X 96W)

Installation Instructions

1. This unit must be located 1 foot or greater above the deck or ground level. 4" space required between units.
 2. Mount this unit on a suitable vertical surface with conduit openings down.
 3. Using a ruler, measure the vertical mounting point distance for the brackets provided on the back of the enclosure.
 4. Mark the mounting surface and drill a minimum of 2 holes to match the bracket hole centers. Size the drill to accommodate #10 mounting hardware.
 5. If keyhole mounting brackets are provided, insert the hardware at the mounting point to allow for 3/16" spacing between the screw head and the mounting surface to accommodate the bracket thickness.
 6. Refer to the product labeling for detailed line and load wiring procedure.
- For connection, use No. 12-18 AWG wires insulated for a minimum of 90C, rated for 600V. Tightening torque 7 in-lbs for output terminal block.
 - Use wire connectors suitable for the number and size conductors being connected and applied in accordance with the manufacturer's instructions.
 - Minimum 20 amp supply side branch circuit.
 - A disconnect device shall be located in the field wiring.

Aion LED DC Blue Series drivers have been factory tested for use with specific 120 VAC dimmers designed for magnetic (MLV) forward-phase loads.

PLEASE SEE APPROVED DIMMERS PAGE FOR COMPATIBLE CONTROLS. DO NOT ATTEMPT CONNECTING UNAPPROVED DIMMERS OR CONTROLS. DAMAGE TO THE DIMMER, FIXTURE AND/OR THE POWER UNIT WILL RESULT; THE POWER UNIT WARRANTY WILL BE VOIDED.

Please load 40-90% MAX. Please see specifications page for fixture-specific max load/ run length information.



Component of a complete system including: Aion LED A-Track Light Engine, Aion LED A-Track housing with diffuser lens, & Aion LED driver (power supply). Dimmer not included. Approved dimmers, controls, power supplies, cable, & other components only. Contact Aion LED for questions regarding compatibility. Electrician installed. Strictly adhere to NEC & local building code. Limited 5-year warranty against manufacturing defects only, does not cover labor; voided by: inadequate ventilation, field modifications, installation by unqualified personnel, unapproved controls, drivers, cabling, other devices, not following installation guidelines & protocol, general negligence. Installer assumes all liability with regard to property & safety. This product is UL listed. See separate "Aion LED Warranty Terms" & additional instructional materials for more information. Authorized installers only. Systems tested prior to shipping.



AIONLED.COM | (415) 255-AION

Modified: September 11, 2017

© 2017 Aion LED. All Rights Reserved



LUMINAIRE CUT SHEET
100% CD
10.16.2018

Wailuku Civic Hub
Maui, HI
Type: **FE10**

Lutron	MAESTRO: MRF2-6ND	0.1-1%*	(DO NOT RECOMMEND MALV-600)
	NOVA: NTLV-600	0.1-1%*	HE TRIM
	HOMEWORKS QS: RPM-4U HQRD-10ND HQRD-6ND HQRD-6CL (H2) HQRA-6CL (H2)	0.1-1%*	(DO NOT RECOMMEND RPM-4A) DO NOT SHARE WITH OTHER LOADS HE TRIM (DO NOT RECOMMEND 6NA)
	HOMEWORKS: HxD-6ND HW/LP RPM -4U-120†	0.1-1%*	HE TRIM † (DO NOT RECOMMEND RPM-4A) DO NOT SHARE WITH OTHER LOADS
	RADIO RA2: RRD-10ND RRD-6CL(R3)	0.1-1%*	(DO NOT RECOMMEND 6NA) HE TRIM
	GRAFIK EYE QS: QSGRJ-3P QSGRJ-4P QSGRJ-6P	0.1-1%*	HE TRIM
	GRAFIK EYE 3000: HWI-WPM-6D-120	0.1-1%*	HE TRIM
	STANZA: SZ-6ND	0.1-1%*	HE TRIM
	PHPM-PA FORWARD-PHASE ONLY PHPM-PA-120-FP-WH-CPN6366 PHPM-PA-DV-FP-WH-CPN6366	0.1-1%*	HE TRIM USE WITH UP & RP
	PHPM-WBX	0.1-1%*	HE TRIM
	PANEL MODULE: GP (Harrier) Card	0.1-1%*	HE TRIM
	CASETA WIRELESS: PD-6WCL (SD11)	0.1-1%*	HE TRIM
ETC	D20AF	0.1%	SENSOR RACK
Forbes & Lomax	ROTARY DIMMER : FLRLV603-P	0.1%	
Vantage	STANDARD DIMMER MODULE SDM12-EM	0.1%	HE TRIM
	WIRELINK SCENEPOINT DIMMER: DS15TE-AWYA	0.1%	HE TRIM
	RADIOLINK SCENEPOINT DIMMER: RD15TE-AWYA	0.1%	HE TRIM
Crestron	GLX-DIM6	0.1%	HE TRIM
Le Grand	ADORN: ADTP703TU(W4)	0.1%	HE TRIM
	ADORN WIRELESS: ADTG700MMTU(W2)	0.1%	HE TRIM

Testing completed by Aion LED and various controls manufacturers to ensure compatibility.

MLV FORWARD PHASE ONLY.
DO NOT USE ADAPTIVE PHASE CONTROLS

Low-end dimming minimum threshold varies by control and can be set when programming trim levels.

Use high-end trim (HE Trim) to eliminate dead travel, set low trim to lowest level dimmer will allow.

*Lowest dim levels achieved with little or no LE Trim. Dimmer manufacturers may recommend setting LE Trim higher to increase start time when necessary.

Component of a complete system including: Aion LED A-Track Light Engine, Aion LED A-Track housing with diffuser lens, & Aion LED driver (power supply). Dimmer not included. Approved dimmers, controls, power supplies, cable, & other components only. Contact Aion LED for questions regarding compatibility. Electrician installed. Strictly adhere to NEC & local building code. Limited 5-year warranty against manufacturing defects only, does not cover labor; voided by: inadequate ventilation, field modifications, installation by unqualified personnel, unapproved controls, drivers, cabling, other devices, not following installation guidelines & protocol, general negligence. Installer assumes all liability with regard to property & safety. This product is UL listed. See separate "Aion LED Warranty Terms" & additional instructional materials for more information. Authorized installers only. Systems tested prior to shipping.



AIONLED.COM | (415) 255-AION

Modified: September 11, 2017

© 2017 Aion LED. All Rights Reserved



LUMINAIRE CUT SHEET
100% CD
10.16.2018

Wailuku Civic Hub
Maui, HI
Type: **FE10**

DATE	PROJECT	FIRM	TYPE
------	---------	------	------

THE L50 INCLUDES PATENTED OPTICAL DESIGN THAT DELIVERS THE WIDEST RANGE OF BEAM ANGLE OPTIONS FOR PRECISE COVE, WALL GRAZING, WALL WASHING OR LINE OF LIGHT APPLICATIONS. EXCLUSIVE FLIP TO FLAT™ HINGE DESIGN PROVIDES FLEXIBILITY WHEN MANAGING SMALL COVE DETAILS. TROV OFFERS SMOOTH, FLICKER FREE DIMMING DOWN TO 0%.

FEATURES :

- DIM TO 0%, ELV REVERSE PHASE
- 24 BEAM ANGLES
- MULTI-VOLT
- FLIP TO FLAT™
- 6 CCT OPTIONS
- 80+ AND 90+ CRI OPTIONS
- IP66 EXTERIOR OPTIONS



MODEL/ SIZE	INTERIOR/ EXTERIOR	LENGTH	POWER	CCT	CRI	VOLTAGE	OPTICS
L50	E	12" 48"	02 04 06 08 10 12	WHITE CCT 22 27 30 35 40 50	MONO COLOR GR**** BL AM RD***	80 90* Blank For Color	MULT (120-277V) GRAZING 9 x 9 9 x 17 9 x 29 9 x 59 15 x 15 15 x 23 15 x 35 15 x 65 COVE 120** Asym LINE OF LIGHT LOL WASHING 25 x 25 25 x 33 25 x 45 25 x 75 39 x 9 55 x 25 40 x 40 40 x 48 40 x 60 40 x 90 45 x 15 70 x 40 70 x 70

EXAMPLE: L50-E-48-10-27-90-MULT-15x65 *90 CRI not available in 2200K or 5000K **120 is only available with Exterior option. See L35 spec sheet for interior cove options. ***Red is not available in 12W or 10W. ****Green is not available in 12W.

PERFORMANCE	WATTS	OPTIC	LUMEN OUTPUT	EFFICACY
	2W	120°	95 lm/LF (311 lm/m)	48 lm/W
	4W	120°	273 lm/LF (895 lm/m)	68 lm/W
	6W	120°	426 lm/LF (1397 lm/m)	71 lm/W
	8W	120°	586 lm/LF (1922 lm/m)	73 lm/W
	10W	120°	697 lm/LF (2286 lm/m)	70 lm/W
	12W	120°	807 lm/LF (2647 lm/m)	67 lm/W

ALL LUMEN DATA IS FROM 4000K 80CRI FIXTURES. PLEASE SEE PHOTOMETRY SPEC SHEET FOR ADDITIONAL LUMEN DATA.

COLOR RENDERING INDEX	80+, 90+			
COLOR CONSISTENCY	2-STEP MACADAM ELLIPSE			
LUMEN DEPRECIATION / RATED LIFE	WATTS	L70 @ 25C	L70 @ 50C	L90 @ 25C
	2W-12W	>150,000	>70,000	>50,000
				L90 @ 50C
				>25,000

* CALCULATIONS FOR LED FIXTURES ARE BASED ON MEASUREMENTS THAT COMPLY WITH IES LM-80 TESTING PROCEDURES AND IES TM-21 CALCULATOR

ELECTRICAL	POWER CONSUMPTION	2W*/LF (6.6W/M); 4W/LF (13.2W/M); 6W/LF (19.8W/M); 8W/LF (26.4W/M); 10W/LF (33W/M); 12W/LF (39.6W/M) * 3W/LF (9.9W/M) at 220V -277V																																																																
	MAX FIXTURE RUN LENGTH	<table border="1"> <thead> <tr> <th rowspan="2">Volts</th> <th colspan="2">2W/LF</th> <th colspan="2">4W/LF</th> <th colspan="2">6W/LF</th> <th colspan="2">8W/LF</th> <th colspan="2">10W/LF</th> <th colspan="2">12W/LF</th> </tr> <tr> <th>Max Run all 1'</th> <th>Max Run all 4'</th> <th>Max Run all 1'</th> <th>Max Run all 4'</th> <th>Max Run all 1'</th> <th>Max Run all 4'</th> <th>Max Run all 1'</th> <th>Max Run all 4'</th> <th>Max Run all 1'</th> <th>Max Run all 4'</th> <th>Max Run all 1'</th> <th>Max Run all 4'</th> </tr> </thead> <tbody> <tr> <td>120</td> <td>214</td> <td>214</td> <td>186</td> <td>186</td> <td>152</td> <td>152</td> <td>114</td> <td>114</td> <td>91</td> <td>91</td> <td>76</td> <td>76</td> </tr> <tr> <td>220</td> <td>374</td> <td>392</td> <td>340</td> <td>340</td> <td>277</td> <td>277</td> <td>209</td> <td>209</td> <td>95</td> <td>167</td> <td>95</td> <td>139</td> </tr> <tr> <td>277</td> <td>374</td> <td>494</td> <td>374</td> <td>428</td> <td>349</td> <td>349</td> <td>263</td> <td>263</td> <td>95</td> <td>190</td> <td>95</td> <td>175</td> </tr> </tbody> </table>	Volts	2W/LF		4W/LF		6W/LF		8W/LF		10W/LF		12W/LF		Max Run all 1'	Max Run all 4'	Max Run all 1'	Max Run all 4'	Max Run all 1'	Max Run all 4'	Max Run all 1'	Max Run all 4'	Max Run all 1'	Max Run all 4'	Max Run all 1'	Max Run all 4'	120	214	214	186	186	152	152	114	114	91	91	76	76	220	374	392	340	340	277	277	209	209	95	167	95	139	277	374	494	374	428	349	349	263	263	95	190	95	175
Volts	2W/LF			4W/LF		6W/LF		8W/LF		10W/LF		12W/LF																																																						
	Max Run all 1'	Max Run all 4'	Max Run all 1'	Max Run all 4'	Max Run all 1'	Max Run all 4'	Max Run all 1'	Max Run all 4'	Max Run all 1'	Max Run all 4'	Max Run all 1'	Max Run all 4'																																																						
120	214	214	186	186	152	152	114	114	91	91	76	76																																																						
220	374	392	340	340	277	277	209	209	95	167	95	139																																																						
277	374	494	374	428	349	349	263	263	95	190	95	175																																																						
	POWER FACTOR	4W, 6W, 8W, 10W, 12W >0.9, 2W<0.9																																																																
	OPERATING VOLTAGE	MULTIVOLT: 110-277VAC, 50/60 Hz																																																																
	DRIVER	INTEGRAL TO FIXTURE; DE-RATED POWER AND SYNCHRONOUS START-UP AT FULL BRIGHTNESS																																																																
	STARTUP TEMPERATURE	-40°F TO 122°F (-40°C TO 50°C)																																																																
	OPERATING TEMPERATURE	-40°F TO 122°F (-40°C TO 50°C)																																																																
	STORAGE TEMPERATURE	-40°F TO 176°F (-40°C TO 80°C)																																																																

ECOSENSE LIGHTING INC.
837 NORTH SPRING STREET
SUITE 103
LOS ANGELES, CA 90012

P • 310.496.6255
F • 310.496.6256
T • 855.632.6736
855.6.ECOSEN

SPECIFICATIONS SUBJECT TO CHANGE WITHOUT NOTICE. VISIT ECOSENSELIGHTING.COM FOR THE MOST CURRENT SPECIFICATIONS. FOR A LIST OF PATENTS VISIT ECOSENSELIGHTING.COM/IP-PORTFOLIO/ ©2017 ECOSENSE LIGHTING INC. ALL RIGHTS RESERVED. ECOSENSE, THE ECOSENSE LOGO, TRÖV, TROV AND ECOSPEC ARE REGISTERED TRADEMARKS OF ECOSENSE LIGHTING INC.
RISE™, SLIM COVE™, FREEDOM TO CREATE™, MACRO™, FLIP-TO-FLAT™ ARE TRADEMARKS OF ECOSENSE LIGHTING INC.

ECOSENSELIGHTING.COM

1/3

20171120



LUMINAIRE CUT SHEET
100% CD
10.16.2018

Wailuku Civic Hub
Maui, HI
Type: FE11

DATE	PROJECT	FIRM	TYPE
CONTROL	DIMMING	110-277VAC, ELV TYPE 0.07%-100%, REVERSE PHASE, TRAILING EDGE	
PHYSICAL	DIMENSIONS	W 1.6" x H 2" x L 12"/48"; (41.6mm x 50.5mm x 304.7mm/1201mm)	
	HOUSING / LENS	EXTRUDED ALUMINUM; UV STABILIZED POLYCARBONATE; STAINLESS STEEL FASTENERS; PLASTIC ENDCAPS RUBBER OVERMOLD FOR CABLE ASSEMBLY	
	WEIGHT	1.52LBS / 0.69KG (1FT) ; 4.95LBS / 2.25KG (4FT)	
	CONNECTORS	INTEGRAL MALE/ FEMALE CONNECTORS	
	ENVIRONMENT	INDOOR • ETL CERTIFIED FOR DRY/DAMP LOCATIONS IP54 OUTDOOR • ETL CERTIFIED FOR WET LOCATIONS IP66	
	BEAM ANGLE	IMPACT RATED TO IK10 GRAZING, WASHING, COVE, ASYMMETRIC, LINE OF LIGHT	
	MOUNTING OPTIONS	INTEGRAL MOUNTING AND ADJUSTABLE AIMING FROM 0°-180° IN 15° INCREMENTS	
FIXTURE RATING & CERTIFICATIONS	CE, ETL CERTIFIED ROHS COMPLIANT ENERGY STAR COMPLIANT DLC COMPLIANT RCM CERTIFIED		
LIMITED WARRANTY	5 YEARS		

WIRING OPTIONS (MVOLT): 110-277VAC

Power Cable Assembly, TROV, Leader/Jumper, 10 foot.....	CBL-3P-L-UNV-10*
Power Cable Assembly, TROV, Leader/Jumper, 50 foot.....	CBL-3P-L-UNV-50*
Power Cable Assembly, TROV, Jumper, 5 foot.....	CBL-3P-L-UNV-05**
Power Cable Assembly, TROV, Jumper, 1 foot	CBL-3P-L-UNV-01**
Power Cable Assembly, TROV, Male and Female terminator caps.....	CBL-3P-L-UNV-CAPS

*Two (2) terminators are included with the 10' and 50' power cable. One Leader need per circuit/fixture run. Cables are not plenum rated.
** If using the 5' or 1' power cable assembly as a leader to power a run one set of CBL-3P-L-UNV-CAPS will also be need per cable.

0-10V CONTROL OPTIONS
100-120VAC / 277VAC Linear Dimming Control Module 0-10V - Plenum Rated **LDCM-PL-120-277-010V-GR**
All products come standard with ELV dimming capabilities. 0-10V Control options required for operation at 0-10V.

OPTIONAL ACCESSORIES

Mounting
Mounting Track and Clips Set, 48 Inch Track, 8 Clips..... **MNT-L-TRKCLIP-48**48" track and clips set will work with one 48" fixture or four 12" fixtures.
Mounting Track and Clips Set, 12 Inch Track, 2 Clips.....**MNT-L-TRKCLIP-12**12" track will not work with 48" fixtures.
Mounting Track Clip, TROV, Set of 2..... **MNT-L-CLIP**Clips needed = 12" fixtures need 1 set of 2 and 48" fixture needs 2 sets of 2.
90 Degree L bracket, TROV, Set of 2.....**MNT-L-LBKT**L-Brackets needed = 12" fixtures need 1 set of 2 and 48" fixture needs 1 set of 2.
Angle Locking Clip, TROV, Pack of 10.....**MNT-L-ANGLOCK** Angle Locks needed = 12" fixtures need 1 and 48" fixtures need 2.
(Included with fixtures)
Mounting, Fine Adjustment Bracket, TROV **MNT-L-FAB**Fine Adjustment Brackets needed = 12" fixtures need 1 and 48" fixtures need 2.
*Fine Adjustment Bracket is highly recommended for Grazing Optics.
Mounting, Fine Adjustment L-Bracket, TROV**MNT-L-LFAB**Fine Adjustment L-Brackets needed = 12" fixtures need 1 and 48" fixtures need 2.
*Fine Adjustment L-Bracket is recommended for Asymetric Optics when aiming is needed.

Snap-on Lenses
Snap-on Lens, Frosted, 12 inch, L50 **LENS-L50-FROST-12** Snap-on Lenses need = One 12" lens is needed per 12" fixture and one 48" lens is needed per 48" fixture. Snap on Lenses will not work with the asymmetric fixture. Clear lenses can be used to hold colored filters to customize the output color of any TROV fixture, except the ASYM. Color filters supplied by others.
Snap-on Lens, Frosted, 48 inch, L50 **LENS-L50-FROST-48**
Snap-on Lens, Clear, 12 inch, L50 **LENS-L50-CLEAR-12**
Snap-on Lens, Clear, 48 inch, L50 **LENS-L50-CLEAR-48**

Wall Mount Arm
Wall Mount Arm, 6 inch, TROV **WMA-L-CA-06** Wall Mount Arms needed = For individual fixture installations two arms and one end set will be needed per fixture. For continuous run installation one endset will be needed per run. Each end set contains one left and one right end plate. One joining set will be needed per joint. One arm per fixture will be need plus one extra arm to complete the run. For example: A 10ft run made with two 4ft and two 1ft fixtures will contain; 1 x WMA-L-END, 3 x WMA-L-JNR, and 5 x WMA-L-CA-12. Leader cables are not included with wall mount arms, end sets, or joiners sets.
Wall Mount Arm, 12 inch, TROV **WMA-L-CA-12**
Wall Mount Arm, 18 inch, TROV **WMA-L-CA-18**
Wall Mount Arm, 24 inch, TROV **WMA-L-CA-24**
Wall Mount Arm End Plate Set, TROV, Includes Left and Right **WMA-L-END**
Wall Mount Arm Joiner Plate, TROV **WMA-L-JNR**

Louvers
Louver, Asymmetric, 12 inch, L50 **LV-L50-ASYM-12** Louvers Needed = One 12" louver is needed per 12" fixture and one 48" louver is needed per 48" fixture. 48" louver is made up of four 12" louvers.
Louver, Asymmetric, 48 inch, L50 **LV-L50-ASYM-48** Louvers cannot be used with the asymmetric fixture
Louver, Symmetric, 12 inch, L50 **LV-L50-SYM-12**
Louver, Symmetric, 48 inch, L50 **LV-L50-SYM-48**
Louver, Honeycomb, 12 inch, L50 **LV-L50-HCOMB-12**
Louver, Honeycomb, 48 inch, L50 **LV-L50-HCOMB-48**

<p>ECOSENSE LIGHTING INC. 837 NORTH SPRING STREET SUITE 103 LOS ANGELES, CA 90012</p>	<p>P • 310.496.6255 F • 310.496.6256 T • 855.632.6736 855.6.ECOSEN</p>	<p>SPECIFICATIONS SUBJECT TO CHANGE WITHOUT NOTICE. VISIT ECOSENSELIGHTING.COM FOR THE MOST CURRENT SPECIFICATIONS. FOR A LIST OF PATENTS VISIT ECOSENSELIGHTING.COM/IP-PORTFOLIO/ ©2017 ECOSENSE LIGHTING INC. ALL RIGHTS RESERVED. ECOSENSE, THE ECOSENSE LOGO, TRÖV, TROV AND ECOSPEC ARE REGISTERED TRADEMARKS OF ECOSENSE LIGHTING INC. RISE®, SLIM COVE®, FREEDOM TO CREATE®, MACRO®, FLIP-TO-FLAT® ARE TRADEMARKS OF ECOSENSE LIGHTING INC.</p>	<p>ECOSENSELIGHTING.COM</p>	<p>2/3</p>
--	--	--	------------------------------------	-------------------

20171120



LUMINAIRE CUT SHEET
100% CD
10.16.2018

Wailuku Civic Hub
Maui, HI
Type: FE11

DATE	PROJECT	FIRM	TYPE
------	---------	------	------

OPTIONAL ACCESSORIES

Masking Plates

- Masking Plate, 3 inch high, 12 inch, L50 & L35 MP-L50-3H-12
- Masking Plate, 3 inch high, 48 inch, L50 & L35 MP-L50-3H-48

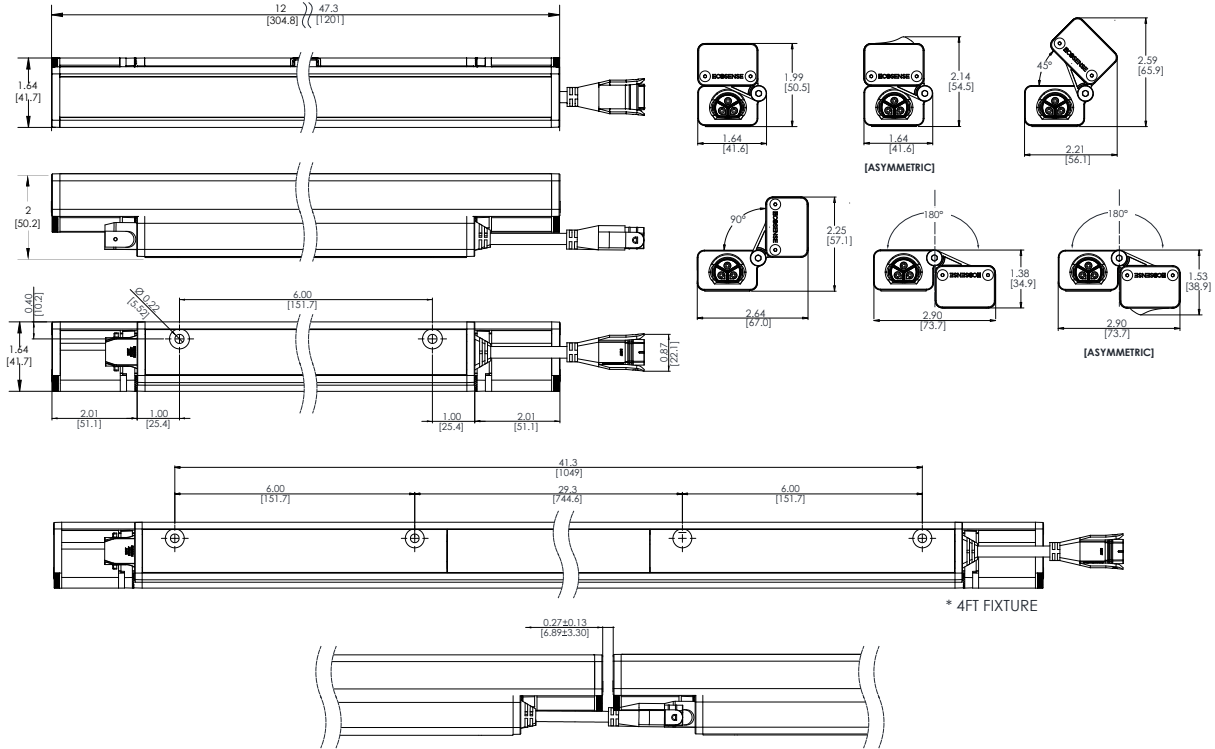
Masking Plates needed = One 12" lens is needed per 12" fixture and one 48" lens is needed per 48" fixture.

Landscape Stake

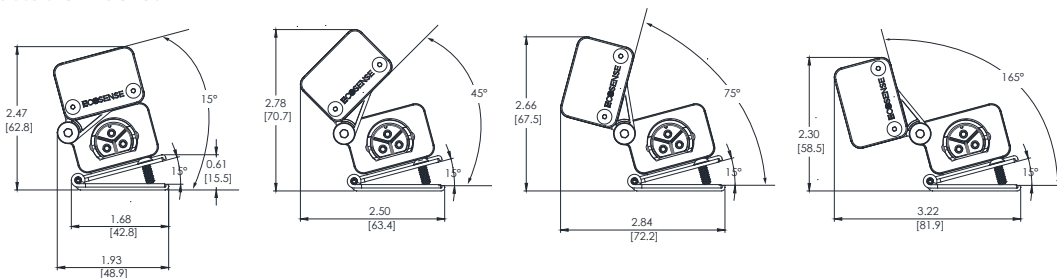
- Landscape Stake, 6 inch, TROV, Set of 2 LS-L-STK-06
- Landscape Stake, 12 inch, TROV, Set of 2 LS-L-STK-12
- Landscape Stake, 18 inch, TROV, Set of 2 LS-L-STK-18

Landscape Stakes needed = 12" and 48" fixtures both need one set of 2.

DIMENSIONS + MOUNTING



Fine Adjustable Bracket:



ECOSENSE LIGHTING INC.
837 NORTH SPRING STREET
SUITE 103
LOS ANGELES, CA 90012

P • 310.496.6255
F • 310.496.6256
T • 855.632.6736
855.6.ECOSEN

SPECIFICATIONS SUBJECT TO CHANGE WITHOUT NOTICE. VISIT ECOSENSELIGHTING.COM FOR THE MOST CURRENT SPECIFICATIONS. FOR A LIST OF PATENTS VISIT ECOSENSELIGHTING.COM/IP-PORTFOLIO/ ©2017 ECOSENSE LIGHTING INC. ALL RIGHTS RESERVED. ECOSENSE, THE ECOSENSE LOGO, TRÖV, TROV AND ECOSPEC ARE REGISTERED TRADEMARKS OF ECOSENSE LIGHTING INC.
RISE®: SLIM COVER® FREEDOM TO CREATE™, MACRO™, FLIP-TO-FLAT™ ARE TRADEMARKS OF ECOSENSE LIGHTING INC.

ECOSENSELIGHTING.COM

3/3

20171120



LUMINAIRE CUT SHEET
100% CD
10.16.2018

Wailuku Civic Hub
Maui, HI
Type: FE11

WT802

High Efficacy Exterior Rated Deep Profile Fixture



Custom Lengths

Pre-assembled: ≤ 8 ft. (96 in)

Max Length is 8 ft. (96 in)

Made in the USA

Fabricated with high quality American aluminum and premium UV stable optics

IP66*

Wet Location, Sealed with gaskets

Not meant to be submerged, adequate drainage required

CAUTIONS FOR WET TRACK

Attempted Field Modifications Void Warranty.

IP66 rating includes high pressure spray, but fixture is not meant to ever become submerged under any circumstances. **Adequate drainage provisions must be installed in every installation.** Aion LED will not be held responsible for product failure from liquid ingress due to installation error. Bent sections may not be water tight. If a fixture is damaged in transit, please bring it to the attention of the distributor immediately for replacement.



Tested as suitable for use within clothing closet spaces by ETL/ Intertek

Must be installed in accordance with NEC 410.16 for use in clothing closet spaces

See separate installation instructions
Patent Pending - Made in the USA

PRELIMINARY SPECIFICATION, SUBJECT TO CHANGE WITHOUT NOTICE

Component of a complete system including: Aion LED A-Track Light Engine, Aion LED A-Track housing with diffuser lens, & Aion LED driver (power supply). Dimmer not included. Approved dimmers, controls, power supplies, cable, & other components only. Contact Aion LED for questions regarding compatibility. Electrician installed. Strictly adhere to NEC & local building code. Limited 5-year warranty against manufacturing defects only, does not cover labor; voided by: inadequate ventilation, field modifications, installation by unqualified personnel, unapproved controls, drivers, cabling, other devices, not following installation guidelines & protocol, general negligence. Installer assumes all liability with regard to property & safety. This product is UL listed. See separate "Aion LED Warranty Terms" & additional instructional materials for more information. Authorized installers only. Systems tested prior to shipping.



AIONLED.COM | (415) 255-AION

Modified: October 6, 2017

© 2017 Aion LED. All Rights Reserved



LUMINAIRE CUT SHEET
100% CD
10.16.2018

Wailuku Civic Hub
Maui, HI
Type: FE12A/FE12B/FE12C

Customization Options

WT-Series fixtures are semi custom and made to order. If an additional option or feature is needed, please contact Aion LED to discuss.



Profile

Deep

Lens

Frosted

Finish

Anodized Silver
 Anodized Dark Bronze
 Custom Color -
 Additional Lead Time

Length

Pre-assembled:
 ≤ 8 ft. (96 in)

Max Length is 8 ft.

**Attempted Field
 Modifications Void
 Warranty.**

Mounting

Standard Mounting Clips
 HD Adhesive backing
 Pivot Mounting Clip

Wiring

24" Leads
 48" Leads
 Custom length leads
 M/F Disconnect Plugs
 Color: White/ Black

Wet Track fixtures ship assembled and Include:
 WT Series housing, lens, end caps, end cap screws, wire grommets, mounting clips, seals & gaskets

Tested as suitable for use within
 clothing closet spaces by ETL/ Intertek

Must be installed in accordance with
 NEC 410.16 for use in clothing closet
 spaces

See separate installation instructions
 Patent Pending - Made in the USA



PRELIMINARY SPECIFICATION, SUBJECT TO CHANGE WITHOUT NOTICE

Component of a complete system including: Aion LED A-Track Light Engine, Aion LED A-Track housing with diffuser lens, & Aion LED driver (power supply). Dimmer not included. Approved dimmers, controls, power supplies, cable, & other components only. Contact Aion LED for questions regarding compatibility. Electrician installation. Strictly adhere to NEC & local building code. Limited 5-year warranty against manufacturing defects only, does not cover labor; voided by: inadequate ventilation, field modifications, installation by unqualified personnel, unapproved controls, drivers, cabling, other devices, not following installation guidelines & protocol, general negligence. Installer assumes all liability with regard to property & safety. This product is UL listed. See separate "Aion LED Warranty Terms" & additional instructional materials for more information. Authorized installers only. Systems tested prior to shipping.



AIONLED.COM | (415) 255-AION

Modified: October 6, 2017

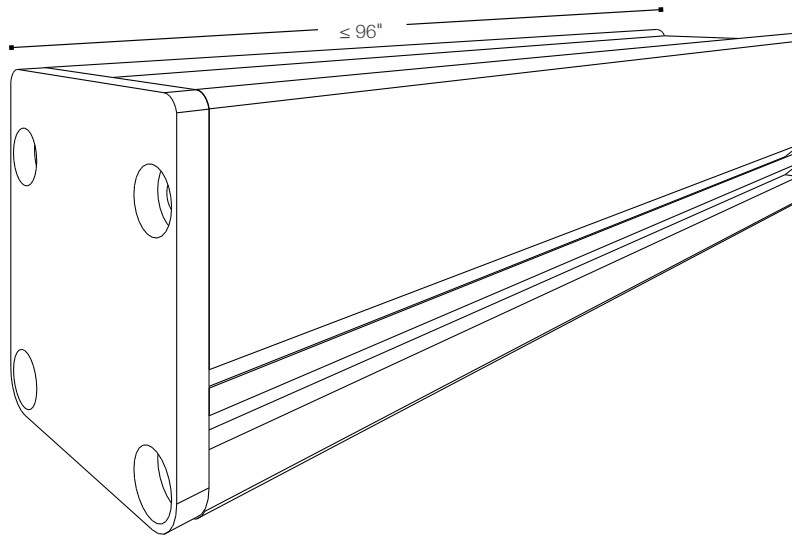
© 2017 Aion LED. All Rights Reserved



LUMINAIRE CUT SHEET
 100% CD
 10.16.2018

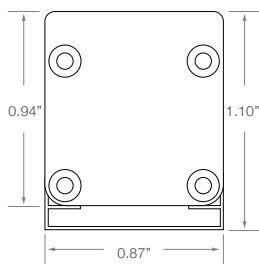
Wailuku Civic Hub
 Maui, HI
 Type: **FE12A/FE12B/FE12C**

WT802
IP66 Deep Profile



NOT TO SCALE

Dimensions
NOT TO SCALE



Compatibility

DIRECT VIEW	INDIRECT VIEW
9524-FR	9524-FR
1524-LE	1524-LE
8924-LE	8924-LE
4924-LE	4924-LE
3924-LE	3924-LE
6524-CT3022-LE	6524-CT3022-LE
1524-CT3022-LE	1524-CT3022-LE
8924-CT3022-LE	8924-CT3022-LE
8924-RGBW-LE	8924-RGBW-LE
	7000-RGB
	5000-RGB

PRELIMINARY SPECIFICATION, SUBJECT TO CHANGE WITHOUT NOTICE

Component of a complete system including: Aion LED A-Track Light Engine, Aion LED A-Track housing with diffuser lens, & Aion LED driver (power supply). Dimmer not included. Approved dimmers, controls, power supplies, cable, & other components only. Contact Aion LED for questions regarding compatibility. Electrician installed. Strictly adhere to NEC & local building code. Limited 5-year warranty against manufacturing defects only, does not cover labor; voided by: inadequate ventilation, field modifications, installation by unqualified personnel, unapproved controls, drivers, cabling, other devices, not following installation guidelines & protocol, general negligence. Installer assumes all liability with regard to property & safety. This product is UL listed. See separate "Aion LED Warranty Terms" & additional instructional materials for more information. Authorized installers only. Systems tested prior to shipping.



AIONLED.COM | (415) 255-AION

Modified: October 6, 2017

© 2017 Aion LED. All Rights Reserved



LUMINAIRE CUT SHEET
100% CD
10.16.2018

Wailuku Civic Hub
Maui, HI
Type: FE12A/FE12B/FE12C

AION LED OPTICS

UV stabilized and won't yellow in direct sunlight

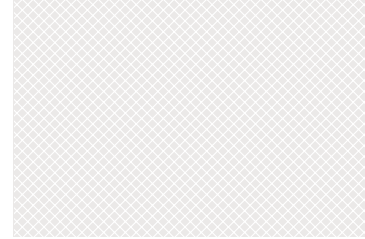
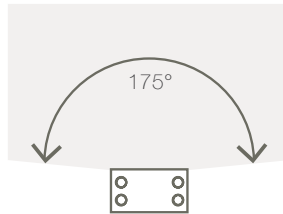
Frosted

Widest Angle

Mid-Transmittance

100% Diffusion

See direct view for compatible light engines



Component of a complete system including: Aion LED A-Track Light Engine, Aion LED A-Track housing with diffuser lens, & Aion LED driver (power supply). Dimmer not included. Approved dimmers, controls, power supplies, cable, & other components only. Contact Aion LED for questions regarding compatibility. Electrician installed. Strictly adhere to NEC & local building code. Limited 5-year warranty against manufacturing defects only, does not cover labor; voided by: inadequate ventilation, field modifications, installation by unqualified personnel, unapproved controls, drivers, cabling, other devices, not following installation guidelines & protocol, general negligence. Installer assumes all liability with regard to property & safety. This product is UL listed. See separate "Aion LED Warranty Terms" & additional instructional materials for more information. Authorized installers only. Systems tested prior to shipping.



AIONLED.COM | (415) 255-AION

Modified: October 6, 2017

© 2017 Aion LED. All Rights Reserved



LUMINAIRE CUT SHEET
100% CD
10.16.2018

Wailuku Civic Hub
Maui, HI
Type: **FE12A/FE12B/FE12C**

4000 Series
Single Color Light Engine



90+ CRI White
Single Bin

- 22** 2150K
- 24** 2350K
- 26** 2550K
- 27** 2650K
- 30** 2950K
- 35** 3450K
- 40** 3950K

Colors

- R** Red **A** Amber
- B** Blue **G** Green



- 90+ CRI
- UL Class 2
- IP20 Dry Location
- Custom Cut to Fit
- 50,000 Hour Min. Lifespan

Requires: Aion LED Driver, Approved Controller, Aion LED Housing. Sold Separately, Not Included

80+ CRI Available via Special Order

Tested as suitable for use within clothing closet spaces by ETL/ Intertek

Must be installed in accordance with NEC 410.16 for use in clothing closet spaces



Components of a complete system include: Aion LED A-Track Light Engine, Aion LED A-Track housing with diffuser lens, & Aion LED driver (power supply). Dimmer not included. Approved dimmers, controls, power supplies, cable, & other components only. Contact Aion LED for questions regarding compatibility. Electrician installed. Strictly adhere to NEC & local building code. Limited 5-year warranty against manufacturing defects only, does not cover labor; voided by: inadequate ventilation, field modifications, installation by unqualified personnel, unapproved controls, drivers, cabling, other devices, not following installation guidelines & protocol, general negligence. Installer assumes all liability with regard to property & safety. This product is UL listed. See separate "Aion LED Warranty Terms" & additional instructional materials for more information. Authorized installers only. Systems tested prior to shipping.



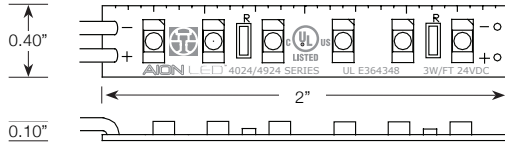
AIONLED.COM | (415) 255-AION
Modified: March 14, 2018
© 2018 Aion LED. All Rights Reserved



LUMINAIRE CUT SHEET
100% CD
10.16.2018

Wailuku Civic Hub
Maui, HI
Type: **FE12A/FE12B/FE12C**

4924-LE
Mid Output



90+ CRI
2.8W /ft.
≤ 236 Lm/ft.
RANGE BY CCT (X-Y)

Max. Increment:
30 ft.

Min. Increment:
2 in.

	4924-22-LE	4924-24-LE	4924-26-LE	4924-27-LE	4924-30-LE	4924-35-LE	4924-40-LE
TOTAL LUMENS	126.64	193.43	190.98	165.23	206.60	222.05	225.43
INPUT POWER (W)	2.26	2.82	2.83	2.19	2.61	2.65	2.81
EFFICACY	56.80	69	68	76	79	84	80
COLOR RENDERING INDEX (CRI)	94	91	97	92	92	92	
R9	71.30	52.71	83.61	66.04	68.06	69.25	
INPUT VOLTAGE (VDC)	24	24	24	24	24	24	24
INPUT CURRENT (AMP)	0.09	0.12	0.12	0.09	0.11	0.11	0.12
CORRELATED COLOR TEMPERATURE	2150K	2400K	2550K	2700K	2950K	3450K	3950K



Components of a complete system include: Aion LED A-Track Light Engine, Aion LED A-Track housing with diffuser lens, & Aion LED driver (power supply). Dimmer not included. Approved dimmers, controls, power supplies, cable, & other components only. Contact Aion LED for questions regarding compatibility. Electrician installed. Strictly adhere to NEC & local building code. Limited 5-year warranty against manufacturing defects only, does not cover labor; voided by: inadequate ventilation, field modifications, installation by unqualified personnel, unapproved controls, drivers, cabling, other devices, not following installation guidelines & protocol, general negligence. Installer assumes all liability with regard to property & safety. This product is UL listed. See separate "Aion LED Warranty Terms" & additional instructional materials for more information. Authorized installers only. Systems tested prior to shipping.

AION LED®
AIONLED.COM | (415) 255-AION
Modified: March 14, 2018
© 2018 Aion LED. All Rights Reserved



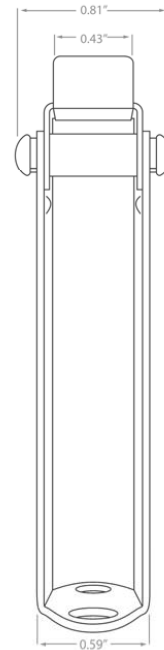
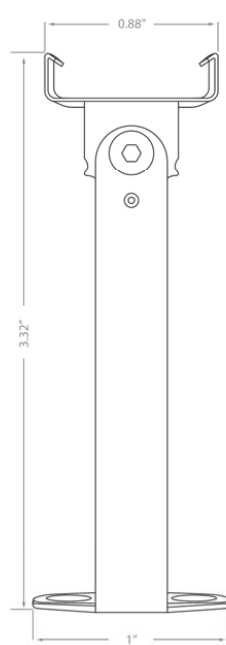
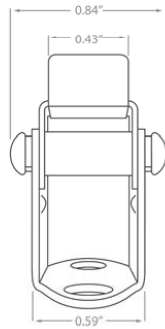
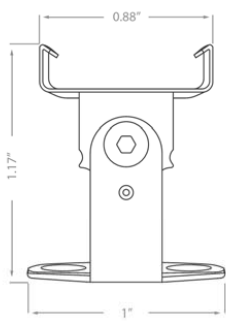
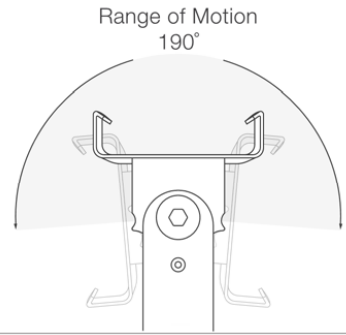
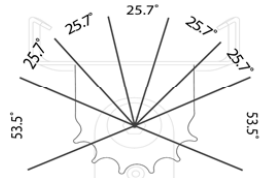
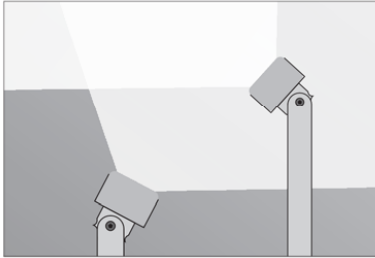
LUMINAIRE CUT SHEET
100% CD
10.16.2018

Wailuku Civic Hub
Maui, HI
Type: **FE12A/FE12B/FE12C**

PRELIMINARY SPECIFICATION, SUBJECT TO CHANGE WITHOUT NOTICE

STAND OFF PIVOT MOUNTING CLIPS

AT80-MC-P*



1" Pivot Mounting Clip

AT80-MC-P1 Compatible with:
AT801 & AT802
WT801 & WT802

3" Pivot Mounting Clip

AT80-MC-P3 Compatible with:
AT801 & AT802
WT801 & WT802

PRELIMINARY SPECIFICATION, SUBJECT TO CHANGE WITHOUT NOTICE

Component of a complete system including: Aion LED A-Track Light Engine, Aion LED A-Track housing with diffuser lens, & Aion LED driver (power supply). Dimmer not included. Approved dimmers, controls, power supplies, cable, & other components only. Contact Aion LED for questions regarding compatibility. Electrician installed. Strictly adhere to NEC & local building code. Limited 5-year warranty against manufacturing defects only, does not cover labor; voided by: inadequate ventilation, field modifications, installation by unqualified personnel, unapproved controls, drivers, cabling, other devices, not following installation guidelines & protocol, general negligence. Installer assumes all liability with regard to property & safety. This product is UL listed. See separate "Aion LED Warranty Terms" & additional instructional materials for more information. Authorized installers only. Systems tested prior to shipping.

AION LED®
AIONLED.COM | (415) 255-AION
Modified: September 11, 2017
© 2017 Aion LED. All Rights Reserved

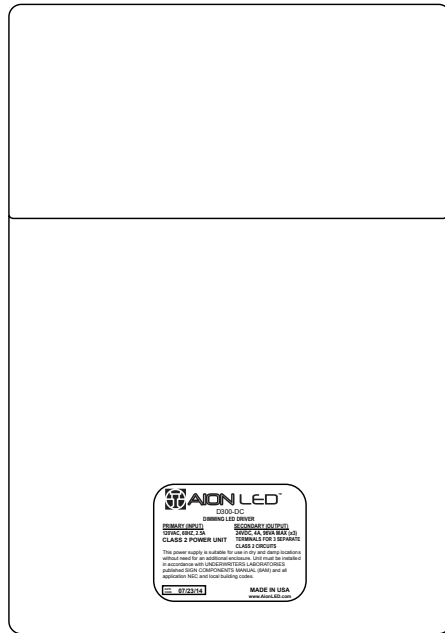


LUMINAIRE CUT SHEET
100% CD
10.16.2018

Wailuku Civic Hub
Maui, HI
Type: **FE12A/FE12B/FE12C**

D300-DC3

3 x 96W WATT MLV DRIVER



- Premium Class 2 Dimming LED Driver
- Magnetic Low Voltage Transformer
- Pure DC MOSFET Supply
- Fully Regulated
- 0.1% DIMMING*
- MADE IN USA
- Multiple Inputs Available: 120, 240, 277 VAC
- UL LISTED 8750, CSA Approved
- NEMA 3R Outdoor Case
- Manual reset overload protection
- 5 Year Warranty

Electrician Installed - Strictly adhere to NEC & local code. Requires minimum 4" space in all directions. Requires adequate ventilation. Use dedicated circuit Isolated from other appliances. Load 40 - 90%

Requires Aion LED brand lighting fixture and approved dimmer or switch. Sold separately, not included

DO NOT USE PHASE ADAPTIVE CONTROLS FORWARD PHASE MLV CONTROLS ONLY

*SEE APPROVED CONTROLS LIST



Component of a complete system including: Aion LED A-Track Light Engine, Aion LED A-Track housing with diffuser lens, & Aion LED driver (power supply). Dimmer not included. Approved dimmers, controls, power supplies, cable, & other components only. Contact Aion LED for questions regarding compatibility. Electrician installed. Strictly adhere to NEC & local building code. Limited 5-year warranty against manufacturing defects only, does not cover labor; voided by: inadequate ventilation, field modifications, installation by unqualified personnel, unapproved controls, drivers, cabling, other devices, not following installation guidelines & protocol, general negligence. Installer assumes all liability with regard to property & safety. This product is UL listed. *See separate "Aion LED Warranty Terms" & additional instructional materials for more information. Authorized installers only. *Systems tested prior to shipping.



AIONLED.COM | (415) 255-AION
 Modified: September 11, 2017
 © 2017 Aion LED. All Rights Reserved

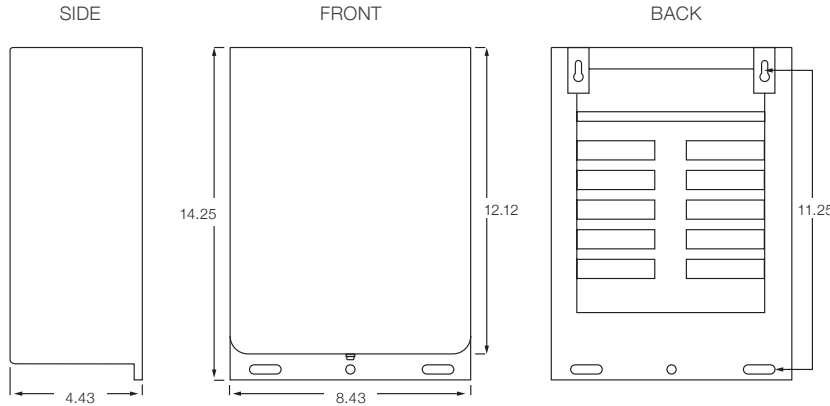


LUMINAIRE CUT SHEET
 100% CD
 10.16.2018

Wailuku Civic Hub
 Maui, HI
 Type: **FE12A/FE12B/FE12C**

D300-DC3

3 x 96W WATT MLV DRIVER



Premium Class 2 Dimming
LED Driver

Magnetic Low Voltage Transformer

Pure DC MOSFET Supply

Fully Regulated

0.1% DIMMING*
MADE IN USA

UL LISTED 8750,
CSA Approved

NEMA 3R Outdoor Case

Manual reset overload protection

Model	D300-DC3	Watts	3x 96W
Standard Input Voltage	120 VAC	Dimensions "	14.25 x 8.43 x 4.43
Output Voltage Loaded	24 VDC	Input Current	2.5A
Output Current	3 x 96W Class 2 Circuits	Input Frequency (Hz)	50-60
Current Limit	2.5/4.5 +/- 0.25	Efficiency	80%
Load Regulation	2%	MTBF	100,000
Line Regulation	5%	Operating Environment	-30 to +60
Function Surface Temp	-40 to +80		

Max Lengths

3000 Series	180 ft. (6 x 30)
4000 Series	90 ft. (3 x 30)
8000 Series	45 ft. (3 x 15)

Max Wire Distance

18 AWG	27 ft.
16 AWG	44 ft.
14 AWG	70 ft.
12 AWG	112 ft.
10 AWG	180 ft.
8 AWG	286 ft.



DO NOT USE PHASE-ADAPTIVE CONTROLS
FORWARD PHASE MLV CONTROLS ONLY
*SEE APPROVED CONTROLS LIST

Component of a complete system including: Aion LED A-Track Light Engine, Aion LED A-Track housing with diffuser lens, & Aion LED driver (power supply). Dimmer not included. Approved dimmers, controls, power supplies, cable, & other components only. Contact Aion LED for questions regarding compatibility. Electrician installed. Strictly adhere to NEC & local building code. Limited 5-year warranty against manufacturing defects only, does not cover labor; voided by: inadequate ventilation, field modifications, installation by unqualified personnel, unapproved controls, drivers, cabling, other devices, not following installation guidelines & protocol, general negligence. Installer assumes all liability with regard to property & safety. This product is UL listed. *See separate "Aion LED Warranty Terms" & additional instructional materials for more information. Authorized installers only. *Systems tested prior to shipping.



AIONLED.COM | (415) 255-AION

Modified: September 11, 2017

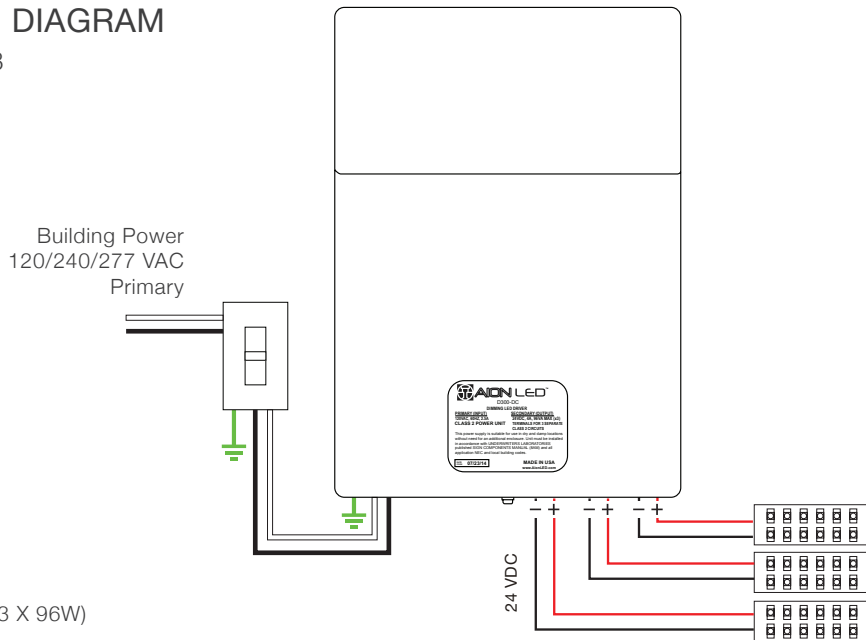
© 2017 Aion LED. All Rights Reserved



LUMINAIRE CUT SHEET
100% CD
10.16.2018

Wailuku Civic Hub
Maui, HI
Type: FE12A/FE12B/FE12C

WIRING DIAGRAM
D300-DC3



D300-DC3 (3 X 96W)

Installation Instructions

1. This unit must be located 1 foot or greater above the deck or ground level. 4" space required between units.
 2. Mount this unit on a suitable vertical surface with conduit openings down.
 3. Using a ruler, measure the vertical mounting point distance for the brackets provided on the back of the enclosure.
 4. Mark the mounting surface and drill a minimum of 2 holes to match the bracket hole centers. Size the drill to accommodate #10 mounting hardware.
 5. If keyhole mounting brackets are provided, insert the hardware at the mounting point to allow for 3/16" spacing between the screw head and the mounting surface to accommodate the bracket thickness.
 6. Refer to the product labeling for detailed line and load wiring procedure.
- For connection, use No. 12-18 AWG wires insulated for a minimum of 90C, rated for 600V. Tightening torque 7 in-lbs for output terminal block.
 - Use wire connectors suitable for the number and size conductors being connected and applied in accordance with the manufacturer's instructions.
 - Minimum 20 amp supply side branch circuit.
 - A disconnect device shall be located in the field wiring.

Aion LED DC Blue Series drivers have been factory tested for use with specific 120 VAC dimmers designed for magnetic (MLV) forward-phase loads.

PLEASE SEE APPROVED DIMMERS PAGE FOR COMPATIBLE CONTROLS. DO NOT ATTEMPT CONNECTING UNAPPROVED DIMMERS OR CONTROLS. DAMAGE TO THE DIMMER, FIXTURE AND/OR THE POWER UNIT WILL RESULT; THE POWER UNIT WARRANTY WILL BE VOIDED.

Please load 40-90% MAX. Please see specifications page for fixture-specific max load/ run length information.



Component of a complete system including: Aion LED A-Track Light Engine, Aion LED A-Track housing with diffuser lens, & Aion LED driver (power supply). Dimmer not included. Approved dimmers, controls, power supplies, cable, & other components only. Contact Aion LED for questions regarding compatibility. Electrician installed. Strictly adhere to NEC & local building code. Limited 5-year warranty against manufacturing defects only, does not cover labor; voided by: inadequate ventilation, field modifications, installation by unqualified personnel, unapproved controls, drivers, cabling, other devices, not following installation guidelines & protocol, general negligence. Installer assumes all liability with regard to property & safety. This product is UL listed. See separate "Aion LED Warranty Terms" & additional instructional materials for more information. Authorized installers only. Systems tested prior to shipping.



AIONLED.COM | (415) 255-AION
Modified: September 11, 2017
© 2017 Aion LED. All Rights Reserved



LUMINAIRE CUT SHEET
100% CD
10.16.2018

Wailuku Civic Hub
Maui, HI
Type: FE12A/FE12B/FE12C

Lutron	MAESTRO: MRF2-6ND	0.1-1%*	(DO NOT RECOMMEND MALV-600)
	NOVA: NTLV-600	0.1-1%*	HE TRIM
	HOMEWORKS QS: RPM-4U HQRD-10ND HQRD-6ND HQRD-6CL (H2) HQRA-6CL (H2)	0.1-1%*	(DO NOT RECOMMEND RPM-4A) DO NOT SHARE WITH OTHER LOADS HE TRIM (DO NOT RECOMMEND 6NA)
	HOMEWORKS: HxD-6ND HW/LP RPM -4U-120†	0.1-1%*	HE TRIM † (DO NOT RECOMMEND RPM-4A) DO NOT SHARE WITH OTHER LOADS
	RADIO RA2: RRD-10ND RRD-6CL(R3)	0.1-1%*	(DO NOT RECOMMEND 6NA) HE TRIM
	GRAFIK EYE QS: QSGRJ-3P QSGRJ-4P QSGRJ-6P	0.1-1%*	HE TRIM
	GRAFIK EYE 3000: HWI-WPM-6D-120	0.1-1%*	HE TRIM
	STANZA: SZ-6ND	0.1-1%*	HE TRIM
	PHPM-PA FORWARD-PHASE ONLY PHPM-PA-120-FP-WH-CPN6366 PHPM-PA-DV-FP-WH-CPN6366	0.1-1%*	HE TRIM USE WITH UP & RP
	PHPM-WBX	0.1-1%*	HE TRIM
	PANEL MODULE: GP (Harrier) Card	0.1-1%*	HE TRIM
	CASETA WIRELESS: PD-6WCL (SD11)	0.1-1%*	HE TRIM
ETC	D20AF	0.1%	SENSOR RACK
Forbes & Lomax	ROTARY DIMMER : FLRLV603-P	0.1%	
Vantage	STANDARD DIMMER MODULE SDM12-EM	0.1%	HE TRIM
	WIRELINK SCENEPOINT DIMMER: DS15TE-AWYA	0.1%	HE TRIM
	RADIOLINK SCENEPOINT DIMMER: RD15TE-AWYA	0.1%	HE TRIM
Crestron	GLX-DIM6	0.1%	HE TRIM
Le Grand	ADORN: ADTP703TU(W4)	0.1%	HE TRIM
	ADORN WIRELESS: ADTG700MMTU(W2)	0.1%	HE TRIM

Testing completed by Aion LED and various controls manufacturers to ensure compatibility.

MLV FORWARD PHASE ONLY.
DO NOT USE ADAPTIVE PHASE CONTROLS

Low-end dimming minimum threshold varies by control and can be set when programming trim levels.

Use high-end trim (HE Trim) to eliminate dead travel, set low trim to lowest level dimmer will allow.

*Lowest dim levels achieved with little or no LE Trim. Dimmer manufacturers may recommend setting LE Trim higher to increase start time when necessary.

Component of a complete system including: Aion LED A-Track Light Engine, Aion LED A-Track housing with diffuser lens, & Aion LED driver (power supply). Dimmer not included. Approved dimmers, controls, power supplies, cable, & other components only. Contact Aion LED for questions regarding compatibility. Electrician installed. Strictly adhere to NEC & local building code. Limited 5-year warranty against manufacturing defects only, does not cover labor; voided by: inadequate ventilation, field modifications, installation by unqualified personnel, unapproved controls, drivers, cabling, other devices, not following installation guidelines & protocol, general negligence. Installer assumes all liability with regard to property & safety. This product is UL listed. See separate "Aion LED Warranty Terms" & additional instructional materials for more information. Authorized installers only. Systems tested prior to shipping.



AIONLED.COM | (415) 255-AION

Modified: September 11, 2017

© 2017 Aion LED. All Rights Reserved

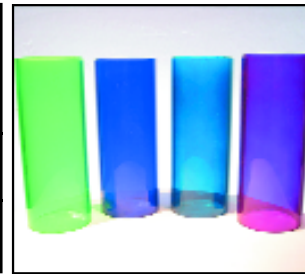


LUMINAIRE CUT SHEET
100% CD
10.16.2018

Wailuku Civic Hub
Maui, HI
Type: **FE12A/FE12B/FE12C**

FADE•NOT® POLYCARBONATE

PROJECT:	CONTACT:
FIXTURE/WATTAGE/BEAMSPREAD:	
LOCATION:	LENS SIZE:
ACCESSORIES:	COLOR:



Fade•Not® Polycarbonate is manufactured using only the best commercial grade polycarbonate. UV absorbers are added to the coloring process to prevent premature degradation, providing the longest life possible. **Fade•Not® Polycarbonate** can last years when used within standard operating temperatures. FX can coat a variety of plastic sheets and strips. All plastics are suitable for wet locations. Use **Fade•Not® Polycarbonate** on LED fixtures, fluorescent fixtures, low temperature architectural or theatrical fixtures, inside LED, fluorescent or low temperature bollards, and temporary outdoor applications such as holiday or theme lighting.

Substrates

We can coat yours or ours.

Plastic-Sheets

Our stock includes 20mil and 30mil Sheets.

We can also get .0625 thick and up, cut to size. Supply part drawings with specifications for quotation

Color Selection

Any color or combination of colors from any theatrical color media can be specified. To aid in color decision making Special FX recommends mocking up with color. Once color is determined, FX can supply your project with product samples at little or no cost. We can also match provided color samples.

Specifying Fade•Not® Polycarbonate for your project

All FX products are custom manufactured for the specified lighting instrument. Contact Special FX Lighting by phone, fax, or email with project specifications, fixture information and color, which will be reviewed to recommend the longest lasting, most cost-effective product for your application.

Order Lead-time

Standard order lead-time for in-stock sheets is two weeks from receipt of Purchase Order.

Lead-time for non-stock sheets is approximately four weeks from receipt of Purchase Order.



435.635.0239 - VOICE 435.635.3929 - FAX INFO@FXLIGHT.COM - EMAIL WWW.FXLIGHT.COM - WEBSITE
293 N. 2260 W. PO BOX 177 HURRICANE UT 84737



LUMINAIRE CUT SHEET
100% CD
10.16.2018

Wailuku Civic Hub
Maui, HI
Type: **FE12A/FE12B/FE12C**

Compact floodlight

Housing: Luminaire constructed of a one piece die-cast aluminum housing. LED module paired with inner reverse-tapered casting to provide maximum heat transfer to outer housing. Die castings are marine grade, copper free ($\leq 0.3\%$ copper content) A360.0 aluminum alloy.

Enclosure: Optical system consists of a reflector of pure anodized aluminum. The lens and optical assembly are secured by a die cast aluminum trim ring using (3) stainless steel captive fasteners.

Mounting: Provided with two piece die-cast aluminum canopy supplied with universal mounting bracket for direct attachment to 3½" or 4" octagonal wiring box. Die-cast aluminum swivel.

Electrical: 19.2W LED luminaire, 22 total system watts, -40° C start temperature. Integral 120V through 277V electronic LED driver, 0-10V dimming. The LED module and driver are mounted on a removable inner assembly for easy replacement. Standard LED color temperature is 4000K with a 90 CRI. Available in 3000K (90 CRI); add suffix K3 to order.

Note: Due to the dynamic nature of LED technology, LED luminaire data in this catalog is subject to change at the discretion of BEGA-US. For the most current technical data, please refer to www.bega-us.com.

Finish: All BEGA standard finishes are polyester powder coat with minimum 3 mil thickness. These luminaires are available in four standard BEGA colors: Black (BLK); White (WHT); Bronze (BRZ); Silver (SLV). To specify, add appropriate suffix to catalog number. Custom colors supplied on special order.

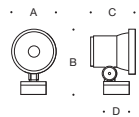
CSA certified to U.S. and Canadian standards for wet locations. Protection class IP65.

Weight: 5.0 lbs.

Luminaire Lumens: 1782

Tested in accordance with LM-79-08

Type:
 BEGA Product:
 Project:
 Voltage:
 Color:
 Options:
 Modified:



Compact floodlight • wide beam		Accessories					
Lamp	β	A	B	C	D		
77 702 19.2W LED	44°	6¼"	8⅞"	6½"	3⅞"	70060	70757

Exchangeable lenses flat beam 180° glare shield β = Beam angle

BEGA 1000 BEGA Way, Carpinteria, CA 93013 (805) 684-0533 FAX (805) 566-9474 www.bega-us.com

©copyright BEGA 2017 Updated 1/18



LUMINAIRE CUT SHEET
 100% CD
 10.16.2018

Wailuku Civic Hub
 Maui, HI
 Type: **FE13**

Compact floodlight

Housing: Luminaire constructed of a one piece die-cast aluminum housing. LED module paired with inner reverse-tapered casting to provide maximum heat transfer to outer housing. Die castings are marine grade, copper free ($\leq 0.3\%$ copper content) A360.0 aluminum alloy.

Enclosure: Optical system consists of a reflector of pure anodized aluminum. The lens and optical assembly are secured by a die cast aluminum trim ring using (3) stainless steel captive fasteners.

Mounting: Provided with two piece die-cast aluminum canopy supplied with universal mounting bracket for direct attachment to 3½" or 4" octagonal wiring box. Die-cast aluminum swivel.

Electrical: 19.2W LED luminaire, 22 total system watts, -40°C start temperature. Integral 120V or 277V electronic LED driver, 0-10V dimming. The LED module and driver are mounted on a removable inner assembly for easy replacement. Standard LED color temperature is 4000K with a 90 CRI. Available in 3000K (90 CRI); add suffix K3 to order.

Note: Due to the dynamic nature of LED technology, LED luminaire data in this catalog is subject to change at the discretion of BEGA-US. For the most current technical data, please refer to www.bega-us.com.

Finish: All BEGA standard finishes are polyester powder coat with minimum 3 mil thickness. These luminaires are available in four standard BEGA colors: Black (BLK); White (WHT); Bronze (BRZ); Silver (SLV). To specify, add appropriate suffix to catalog number. Custom colors supplied on special order.

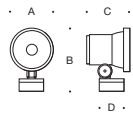
CSA certified to U.S. and Canadian standards for wet locations. Protection class IP65.

Weight: 5.0 lbs.

Luminaire Lumens: 1851

Tested in accordance with LM-79-08

Type:
BEGA Product:
Project:
Voltage:
Color:
Options:
Modified:



Compact floodlight · narrow beam					Accessories				
Lamp	β	A	B	C	D	Exchangeable lenses	Louver	180° glare shield	β = Beam angle
77 701 19.2W LED	30°	6¼"	8⅞"	6½"	3⅞"				

BEGA 1000 BEGA Way, Carpinteria, CA 93013 (805) 684-0533 FAX (805) 566-9474 www.bega-us.com
©copyright BEGA 2017 Updated 04/17



LUMINAIRE CUT SHEET
100% CD
10.16.2018

Wailuku Civic Hub
Maui, HI
Type: **FE13A**

VANESSA LED

Wall Graze
Wet Location Luminaire

Wall Mount | Recessed



VANESSA combines high-end architectural styling with precision engineering to create a strong, elegant wet-location luminaire designed to complement wet exterior or interior installations.

The IP65 rated VANESSA Wall Graze delivers smooth and even illumination that reveals and accentuates texture with highlights and shadows to the desired space. Weather-sealing prevents water and moisture from entering the lens, power entry points and end-caps. Constructed of heavy gauge extruded aluminum, precision machined smooth end-caps and extruded acrylic lenses, VANESSA Wall Graze is built to last while withstanding elements associated with wet-location applications.

2 - 4 foot nominal lengths standard, continuous runs are available.



UL and c-UL listed for wet locations.



Made in the USA

FIXTURE SPECIFICATIONS

Construction

Heavy gauge square extruded aluminum housing. Precision-machined aluminum end-caps. Extruded acrylic clear lens. Stainless steel hardware. Concealed weather-seal gaskets at end caps, lens and power entry on all stand-alone or continuous run fixtures with an IP65 rating. Feed points accept 1/2" trade size threaded wet location conduit fittings.

Mounting

(WM) Wall Mount, (REC) Recessed.

Finishes

(SMT) Silver Matte Texture, (MW) Matte White, or (FB) Flat Black. Other powder coat finishes available. Consult factory for details.

LED Light Engine System

LED Light Engines are available as HLO (High Lumen Output) and SLO (Standard Lumen Output) providing efficient illumination. CLO (Custom Lumen Output) allows for end user specified lumen output or tailored wattage consumption for certain models. Consult factory for details.

Dimming

Dimming is available with a variety of control protocols and options. Consult factory for availability and specifications.

Acrylic Lens

Clear impact resistant extruded lens.

Fixture Length

Fixtures are available in 2' - 4' nominal lengths. Continuous run mounting available featuring water-sealed gaskets within knock-outs for maintaining WL rating. See installation section for more details.

Custom and Mods

We proudly specialize in manufacturing custom and modified luminaires and have the ability to modify most of our standard fixtures. Please contact factory with any inquiries.

V-1216

Birchwood Lighting • 2911 Dow Avenue • Tustin, CA 92780 • 714.550.7118 fax 714.550.7151

148



LUMINAIRE CUT SHEET
100% CD
10.16.2018

Wailuku Civic Hub
Maui, HI
Type: FE14/FE14A

www.birchwoodlighting.com

Type: Job Name:

Wall Mount | Recessed

SPECIFICATION CODE

VAN-LED-WG-400

model light engine color temp length mounting feed finish voltage driver option option

Model	Light Engine	Color Temp	Nominal Length	Mounting	Feed	Finish	Voltage	Driver	Options
VAN-LED-WG-400	SLO - Standard	27 - 2700K	2 - 2'	WM - Wall Mount	STND - Standard	Powder Coat	120	EB - Electronic (standard)	EM* - Emergency Inverter
	Lumen Output	30 - 3000K	3 - 3'		EFL - End Feed	SMT - Silver	277		
	HLO - High	35 - 3500K	4 - 4'	REC - Recessed	Left	Matte	347 ³	D1 - 1% (nom) D10 - 10% 0-10V	HAT - High Ambient Temperature
	Lumen Output	40 - 4000K	6 - 6' ⁵		Right	Texture			
	CLO ³ - Custom		8 - 8' ⁵		End Feed	MW - Matte			
	Lumen Output		CR ¹ Continuous Run		End Feed (both ends)	White			
					Left	FB - Flat			
					Right	Black			
					End Feed	CUP - Custom ²			
					End Feed				
				JBE - J-box extender					

[CLO Calculator](#)

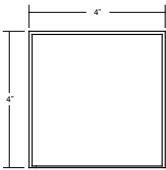
NOTES

- 1 specify length in nominal feet
- 2 contact factory for custom finish
- 3 available for EB, D1, D10 drivers only
- 4 EM's are remote mounted along with the test switch in a dry location, consult factory for more info
- 5 6' & 8' lengths are made up with (2) 3' fixtures or (2) 4' fixtures respectively

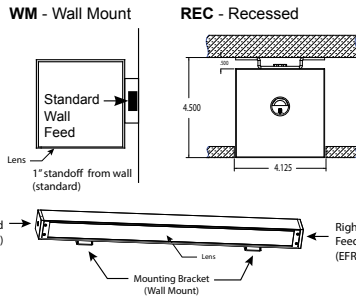
VANESSA is rated for operation with ambient temperatures not to exceed 40°C. Use specification code "HAT" for applications where ambient will be between 40° and 45°C. The "HAT" option is a thermistor which will control internal temperatures so as not to exceed internal device maximum temperature. At certain temperature thresholds, fixture will dim light output to keep internal temperatures within the acceptable range. Available for EB, D1 and D10 drivers only, consult factory for more details.

*see [option sheet](#) for details

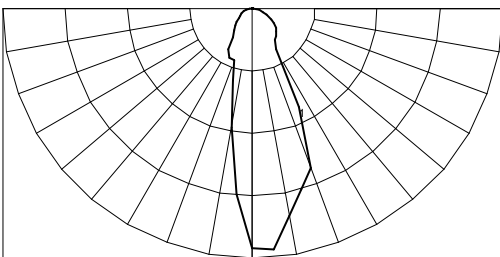
Dimensions



Mounting



Photometrics



Maximum Candela = 2469.89 Located At Horizontal Angle = 70, Vertical Angle = 5
1 - Vertical Plane Through Horizontal Angles (0 - 180)

LED

VAN-LED-WG-400 (4000K FW lens)

SLO - 85 lm/watt delivered @ 4.4 w/ft consumed watts, 374 lm/ft.
HLO - 79.9 lm/watt delivered @ 9 w/ft consumed watts, 719 lm/ft.
CLO - refer to [CLO Calculator](#)
LED [supplement info](#)

V-1216

Birchwood Lighting • 2911 Dow Avenue • Tustin, CA 92780
714.550.7118 fax 714.550.7151

Due to a program of continuous improvement specifications are subject to change without notice.
© 2017 Birchwood Lighting, Inc. All rights reserved.



LUMINAIRE CUT SHEET
100% CD
10.16.2018

Wailuku Civic Hub
Maui, HI
Type: FE14/FE14A

RESET

Date: _____ Customer: _____
Project: _____
Type: _____ Qty: _____



Olivio Grande LED Sistema Arm Mount



Order Code:	#1	OLGL	-	-	-	-	-	-	-	-	-	-	-	-
	#2	OLGL	-	-	-	-	-	-	-	-	-	-	-	-
	#3	OLGL	-	-	-	-	-	-	-	-	-	-	-	-
	#4	OLGL	-	-	-	-	-	-	-	-	-	-	-	-
	Fixture #	Series	Optics	Mounting	Light Engine	CCT	Finish	Voltage	Options					

Pole Order Code: _____ - _____ - _____ - **RN** _____ - _____ - _____ - _____ - _____ - _____ - _____
*Refer to chart on page 6 for Rivnut locations

Series Height Finish Rivnut Pairs Options *Rivnut Locations

Fixture # _____

_____	OLGL	Series	OLGL Olivio Grande LED										
_____		Optics	S09 Spot, 9°	F40 Flood medium, 44°	F80 Flood wide, 78°	ASM Asymmetric (no SLH or SLV option)							
_____		Mounting	SSx Specify Arm Locations (x = number of arms)	W1 Single Wall mount	W2 Double Wall mount								
_____		Light Engine	L58 58W nominal	L28 28W nominal									
_____		CCT	30 3000K	40 4000K									
_____		Finish	WH White	BK Black	BZ Bronze	SV Silver	SP Specify Premium Color						
_____		Voltage	120	208	240	277	347						
_____		Options	DS¹ Dark Sky 0° Tilt Option	DM² Dimming, 0-10V	HL^{2,3} Hi-Lo switching	SLH Spread Lens Horizontal (fixed)	SLV Spread Lens Vertical (fixed)	20kA 20kA Surge Supression	PC Photocell (consult factory)	¹ IDA certified "Dark Sky Friendly" ² Only available with L58 ³ Only available with 120V, 240V, or 277V			

Product Modifications

Please list modification requirements for review by factory:

Approvals

Date: _____



Selux Corporation © 2018, T 845-834-1400, 800-735-8927, F 845-834-1401, www.selux.us

In a continuing effort to offer the best product possible, we reserve the right to change, without notice, specifications or materials that in our opinion will not alter the function of the product. Specification sheets found at www.selux.us are the most recent versions and supercede all other printed or electronic versions.

Page 1 of 13
(Rev. 07/2018)
OLGL-S_ss_v1.6

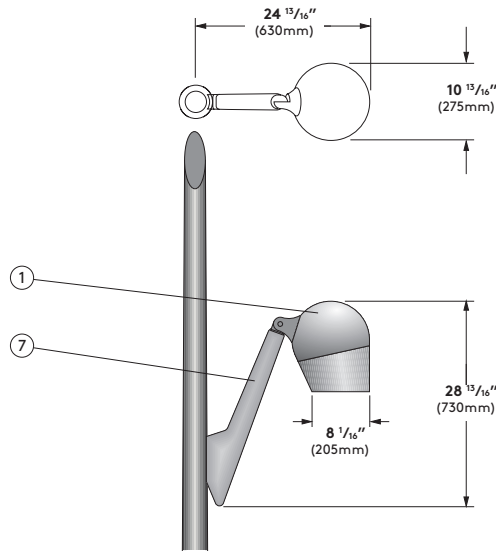


LUMINAIRE CUT SHEET
100% CD
10.16.2018

Wailuku Civic Hub
Maui, HI
Type: **FS1/FS1A/FS1A-R/FS1B**

Note: This Fixture Cut Is For Information Only. Refer To Specs For All Catalogue Numbers, Lamps, Finishes, Accessories, Etc

OLGL-SS1



Specifications

- 1. Luminaire Housing** - Two piece high pressure die cast housing, made of low copper aluminum alloy. Single recessed captive screw allows easy access to light engine & gear tray components.
- 2. Gasketing** - (not shown) UV and ozone-resistant, silicone gasket between fixture housing and lens base provide IP67 level ingress protection. IP rated micro-membrane ensures pressure compensation.
- 3. Lens** - (not shown) Tempered clear glass lens.
- 4. LED Light Engine** - (not shown) made from high flux COB and vacuum metalized aluminum reflectors. Selux is using brand name LED manufacturers. Available in 3000K and 4000K, CRI minimum 80. Reflectors made from high purity aluminum to ensure high efficiencies throughout lifetime. Complete light engine can be removed easily for future upgrade. LED light engine provides a reported lumen maintenance of 84.3% at 60,000 hours. L70 calculated greater than 60,000 hours.
- 5. LED Driver** - (not shown) Selux uses brand name high efficiency LED drivers. LEDs are driven by RoHS compliant high-efficiency driver. Excellent for cold temperature starting and instant on. Min. operating temperature -40°C/ -40°F.

- 6. Surge Protector** - (not shown) Designed to protect luminaire from electrical surge up to 10kA. Surge protection up to 20kA optional.
 - 7. Arm** - 70 degree cast aluminum mounting arms for flexible pole mounting. Fixture head joint provides tilt-swivel range from 0° to 175°, and 360° rotation. Locks down with set screws.
 - 8. Rivnuts** - (not shown) (2) Two rivnuts required per Fixture Arm and installed by manufacturer.
 - 9. Power Cord** - (not shown) Pre-installed at factory and fed hidden through the luminaire hinge and hinge arm. Power cords are specified to fit the length of the pole specified with the luminaire.
- Exterior Luminaire Finish -**
Selux utilizes a high quality Polyester Powder Coating. All Selux luminaires and poles are finished in our Tiger Drylac certified facility and undergo a five stage intensive pretreatment process where product is thoroughly cleaned, phosphated and sealed. Selux powder coated products provide excellent salt and humidity resistance as well as ultraviolet resistance for color retention. All products are tested in accordance with test specifications for coatings from ASTM and PCI. Standard exterior

colors are White (WH), Black (BK), Bronze (BZ), and Silver (SV). Selux premium colors (SP) are available, please specify from your Selux color selection guide.

5 Year Limited LED Luminaire Warranty - Selux offers a 5 Year Limited Warranty to the original purchaser that the Olivio LED luminaire shall be free from defects in material and workmanship for up to five (5) years from date of shipment. This limited warranty covers the LED driver and LED Light engine when installed and operated according to Selux instructions. For details, see "Selux Terms and Condition of Sale."

Listings and Ratings: Luminaire and LED tested to IP67 and IESNA LM-79-08 standards. LED tested to LM-80 standards. Luminaire and LED tested at 25°C ambient temperature.

Olivio LED suitable for ambient temperatures of 40°C (104°F). Minimum operating temperature of luminaire at -40°C (-40°F).

NRTL Listed for wet location (i.e. UL, CSA)

Visit selux.us for our LED End of Life recycling policy.

Lumen Output for OLGL (58 watts)

Olivio Grande LED	S09	F40	F80	ASM
3000K CRI>80	4380 lm CBCP 66199cd	4430 lm CBCP 7600cd	4229 lm CBCP 2976cd	3489 lm CBCP 2852cd
4000K CRI>80	4506 lm CBCP 68103cd	4827 lm CBCP 7558cd	4350 lm CBCP 3058cd	3634 lm CBCP 2970cd

Lumen Output for OLGL (28 watts)

Olivio Grande LED	S09	F40	F80	ASM
3000K CRI>80	2190 lm CBCP 33099.5cd	2215 lm CBCP 3800cd	2114.5 lm CBCP 1488cd	1744.5 lm CBCP 1426cd
4000K CRI>80	2253 lm CBCP 34051.5cd	2413.5 lm CBCP 3779cd	2174 lm CBCP 1531cd	1817 lm CBCP 1485cd

Selux Corporation © 2018, T 845-834-1400, 800-735-8927, F 845-834-1401, www.selux.us
In a continuing effort to offer the best product possible, we reserve the right to change, without notice, specifications or materials that in our opinion will not alter the function of the product. Specification sheets found at www.selux.us are the most recent versions and supercede all other printed or electronic versions.



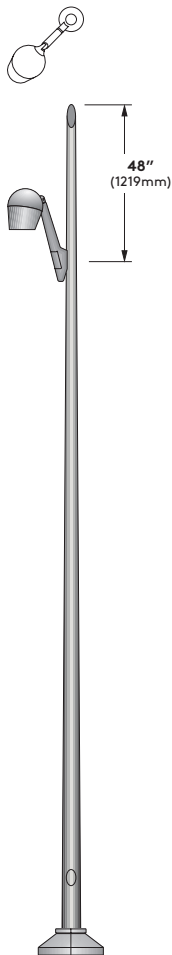
LUMINAIRE CUT SHEET
100% CD
10.16.2018

Wailuku Civic Hub
Maui, HI
Type: FS1/FS1A/FS1A-R/FS1B

Mounting

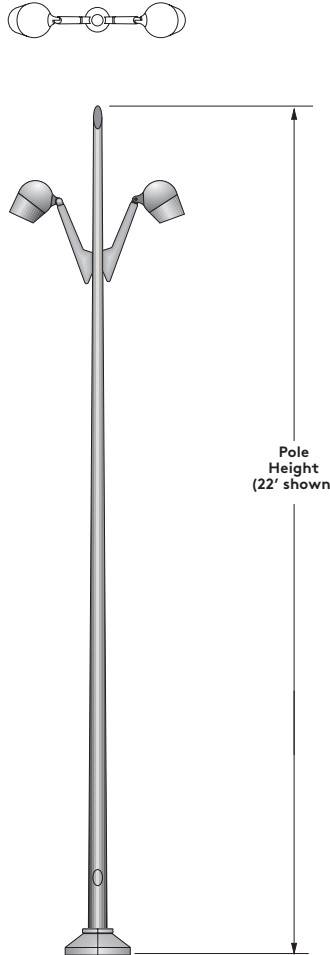
Mounting Details

Single
(Arm Location: 0D)



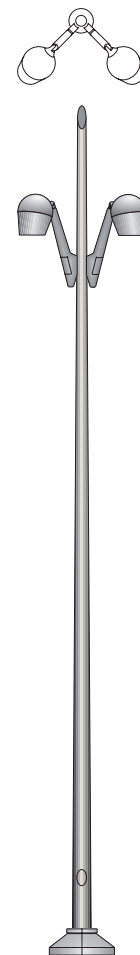
EPA = 1.8 ft² (0.167 m²)
Weight = 35 lbs. (16 kg)
Rivnuts = 1 pair (RN1)

Double at 180°
(Arm Locations: 0G-0S)



EPA = 3.7 ft² (0.344 m²)
Weight = 70 lbs. (32 kg)
Rivnuts = 2 pair (RN2)

Double at 90°
(Arm Locations: 0D-0V)



EPA = 3.7 ft² (0.344 m²)
Weight = 70 lbs. (32 kg)
Rivnuts = 2 pair (RN2)

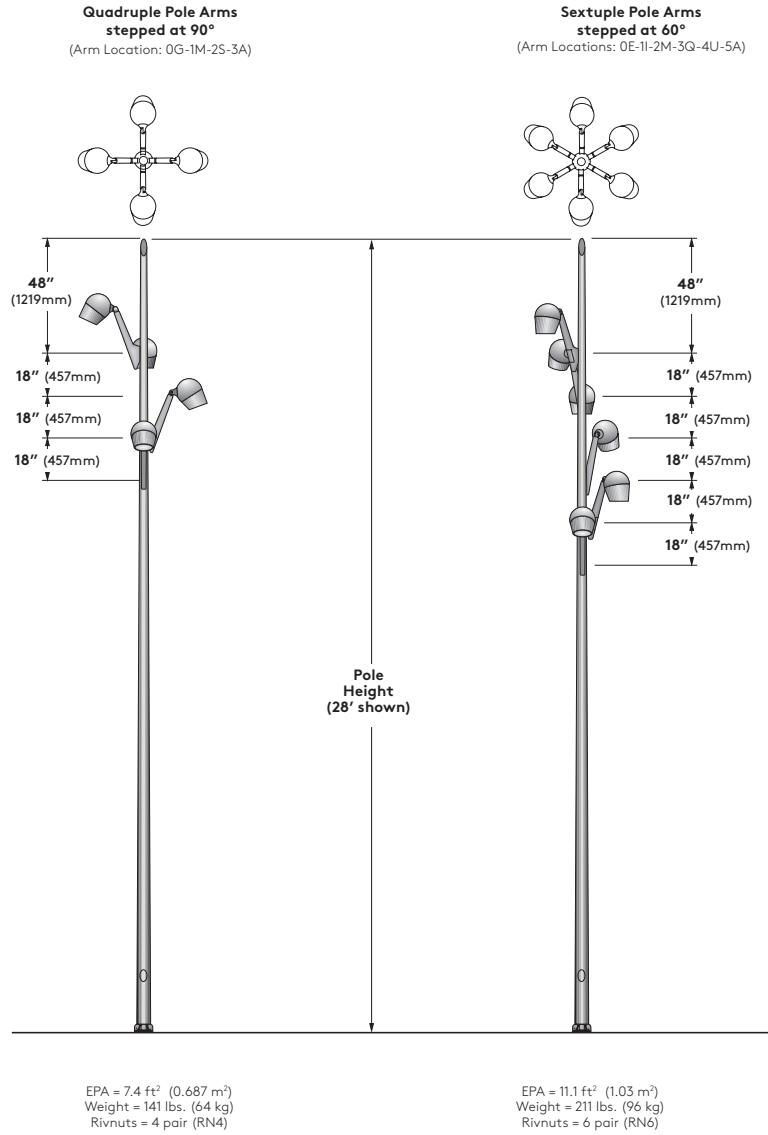


LUMINAIRE CUT SHEET
100% CD
10.16.2018

Wailuku Civic Hub
Maui, HI
Type: **FS1/FS1A/FS1A-R/FS1B**

Mounting

Mounting Details

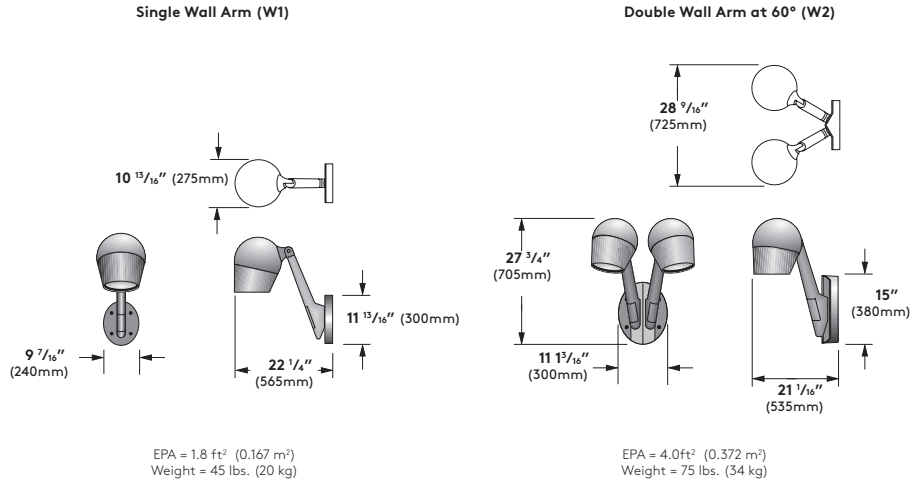


LUMINAIRE CUT SHEET
 100% CD
 10.16.2018

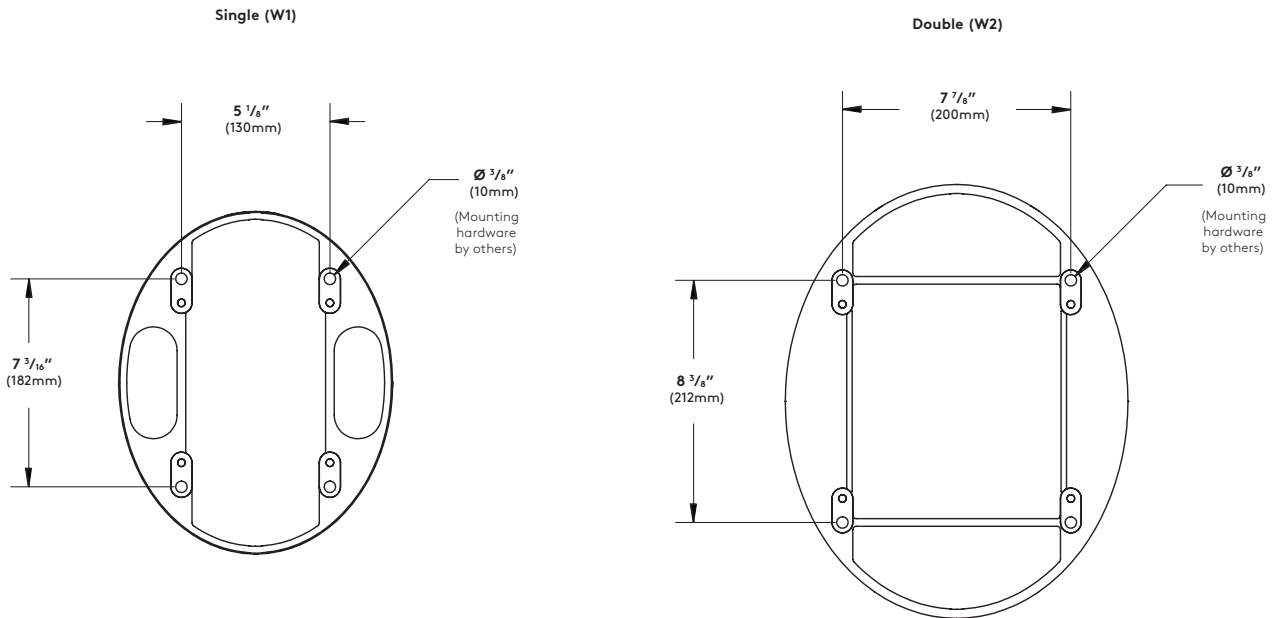
Wailuku Civic Hub
 Maui, HI
 Type: **FS1/FS1A/FS1A-R/FS1B**

Mounting

Mounting Details



Wall Plate Detail

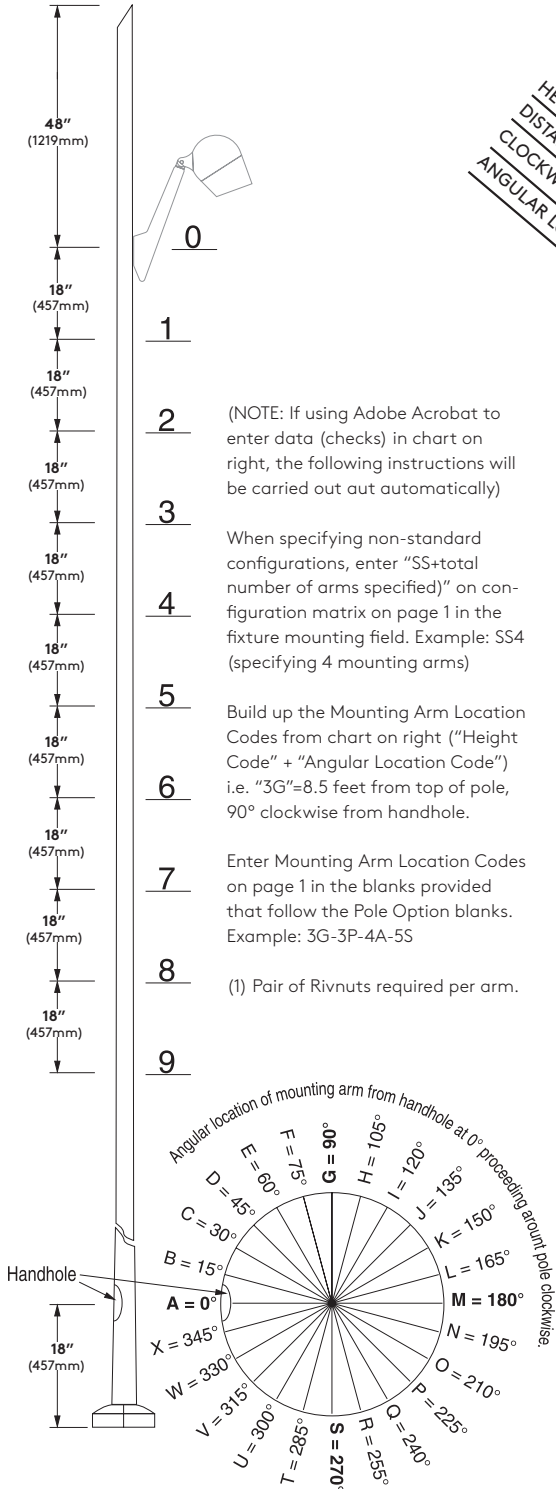


Note: Wall plate is mounted to surface structure and over junction box (by others)



Specify Mounting Configurations

(Luminaire shown for illustrative purposes only - not to scale)



Use checkboxes provided in chart below. Columns #0 through #9 indicate heights starting with 4 feet (1219mm) below top of pole and proceeding downwards in increments of 18 inches (457mm). Rows A through X indicate angular placement around pole starting with 0° at handhole and proceeding clockwise.

NOTE: Arms mounted at same height level must be spaced apart at 90° minimum. Arms mounted at adjacent height levels (18° apart) must be space apart at 45° minimum.

		HEIGHT CODE DISTANCE FROM TOP OF POLE									
		CLOCKWISE FROM HANDHOLE									
		ANGULAR LOCATION CODE									
		0	1	2	3	4	5	6	7	8	9
		4'	5.5'	7'	8.5'	10'	11.5'	13'	14.5'	16'	17.5'
A	0°										
B	15°										
C	30°										
D	45°										
E	60°										
F	75°										
G	90°										
H	105°										
I	120°										
J	135°										
K	150°										
L	165°										
M	180°										
N	195°										
O	210°										
P	225°										
Q	240°										
R	255°										
S	270°										
T	285°										
U	300°										
V	315°										
W	330°										
X	345°										

(NOTE: If using Adobe Acrobat to enter data (checks) in chart on right, the following instructions will be carried out automatically)

When specifying non-standard configurations, enter "SS+total number of arms specified" on configuration matrix on page 1 in the fixture mounting field. Example: SS4 (specifying 4 mounting arms)

Build up the Mounting Arm Location Codes from chart on right ("Height Code" + "Angular Location Code") i.e. "3G"=8.5 feet from top of pole, 90° clockwise from handhole.

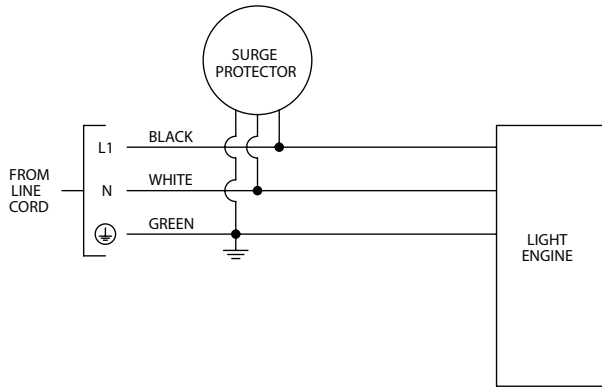
Enter Mounting Arm Location Codes on page 1 in the blanks provided that follow the Pole Option blanks. Example: 3G-3P-4A-5S

(1) Pair of Rivnuts required per arm.



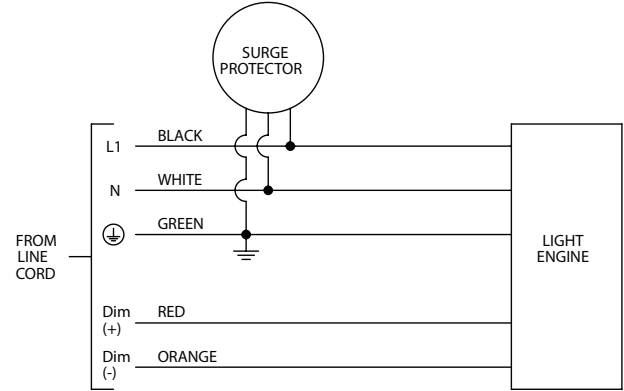
Wiring

Standard Single Wiring

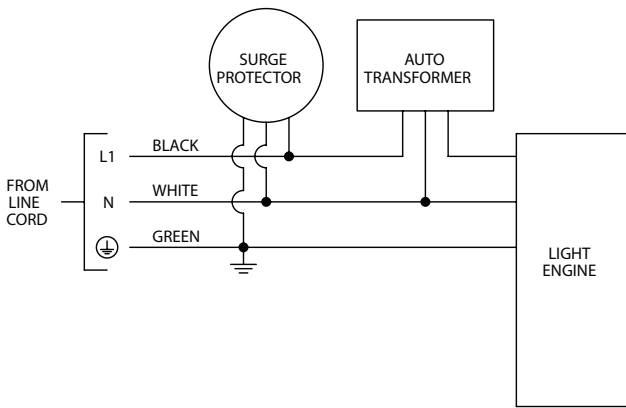


0-10V Dimming Option (DM) Wiring

L58, 120-277V. 347V available with step-down transformer.

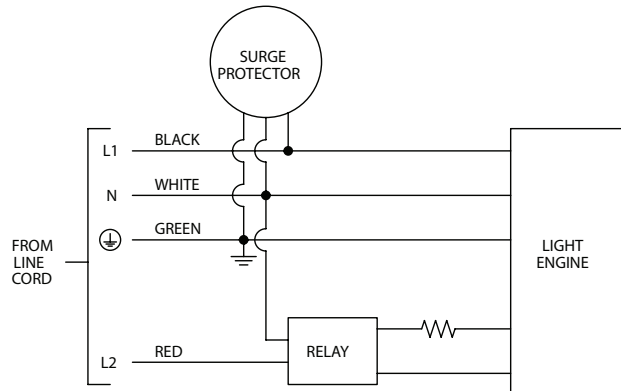


347V



Hi-Lo Switching Option (HL) Wiring

L58, 120V, 240V, 277V. When red is energized, light output will be at "Lo" level. Low output is 50%



LUMINAIRE CUT SHEET
100% CD
10.16.2018

Wailuku Civic Hub
Maui, HI
Type: **FS1/FS1A/FS1A-R/FS1B**

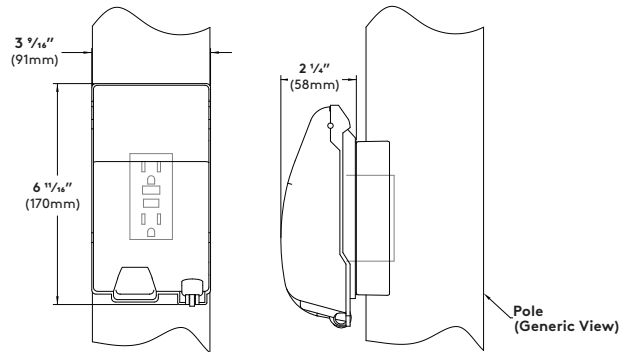
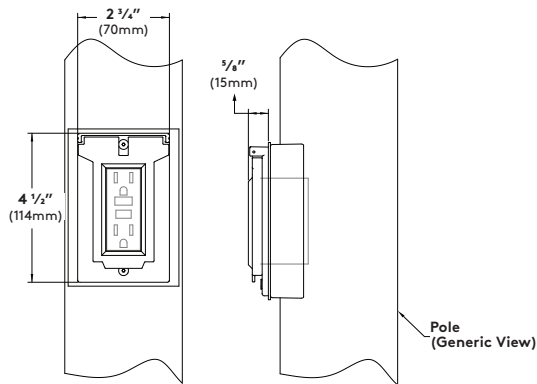
Options

Dark Sky 0° Tilt Option (DS) - Luminaire head tilt angle preset and fixed at factory to comply with IDA Dark Sky and BUG U0 ratings.

20kA Surge Protection (20kA) - Designed to protect luminaire from electrical surge up to 20kA.

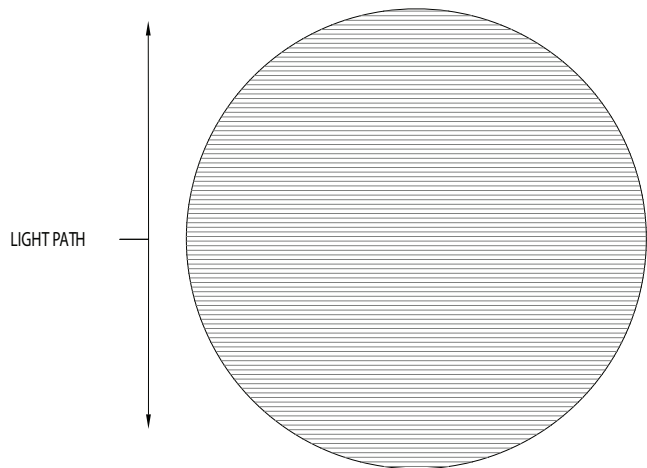
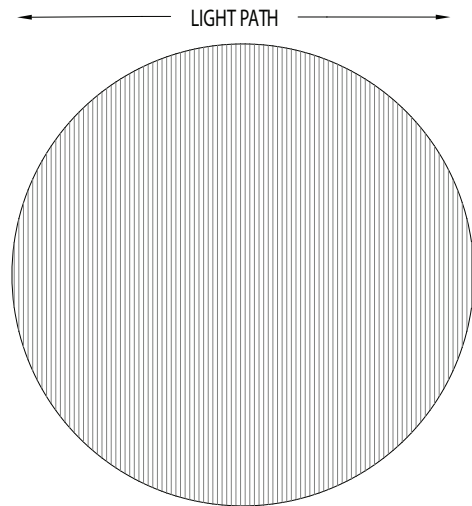
GFCI Receptacle (REC) - 120V 15A GFCI duplex receptacle with weather-proof, self-closing cover; located 36" (915mm) from base of pole, inline with handhole. Receptacle is intended only for portable tools or other portable equipment to be connected to outlet only when attended by operating personnel. For use with 120V applications only. For use with luminaires with other than 120V rating, please consult factory. for wire segregation.

GFCI Receptacle (REC2) - 120V 15A GFCI duplex receptacle with weather-proof, self-closing, padlockable cover; located 36" (915mm) from base of pole, inline with handhole. Receptacle is intended only for portable tools or other portable equipment to be connected to outlet only when attended by operating personnel. For use with 120V applications only. For use with luminaires with other than 120V rating, please consult factory. for wire segregation.



Horizontal spread lens (SLH) - Spread lens for horizontal light distribution. Replaces clear lens and intended to be used with reflectors for S09, F40 or F80 distribution. Preset and fixed at factory.

Vertical spread lens (SLV) - Spread lens for vertical light distribution. Replaces clear lens and intended to be used with reflectors for S09, F40 or F80 distribution. Preset and fixed at factory.



LUMINAIRE CUT SHEET
 100% CD
 10.16.2018

Wailuku Civic Hub
 Maui, HI
 Type: **FS1/FS1A/FS1A-R/FS1B**

Pole Information

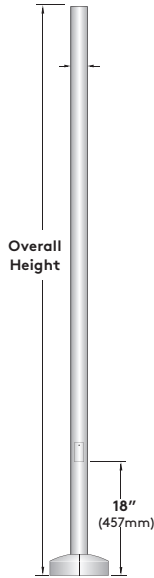
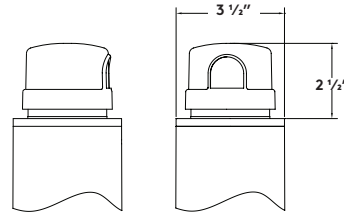


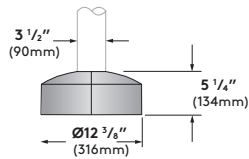
Photo Cell (PC) - Consult factory. Twist lock photocell mounted to aluminum cap which attaches to pole top or can be remotely located. Can be oriented for optimum performance. Only for flat top poles. Refer to fixture spec sheet to determine if this option is applicable.



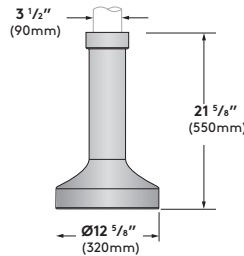
Optional Base Covers

Die cast aluminum, two piece field installable base covers

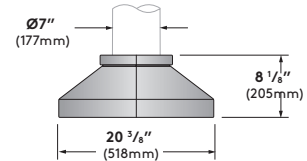
**Straight Poles (O-A35-197)
BC5 Standard Base Cover**
Two-piece die cast aluminum



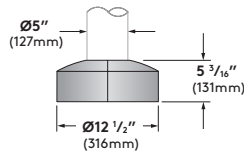
BC1 Optional Base Cover
Available for: O-A35-197
One-piece die cast aluminum



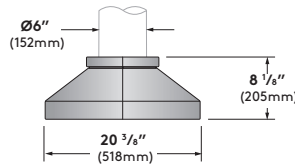
**BC10 - Available for:
O-AT74-156**



**BC3 - Available for:
O-AT535-156
O-AT535-188**



**BC9 - Available for:
O-AT64-156
O-ST5936-11**



Pole Data Chart

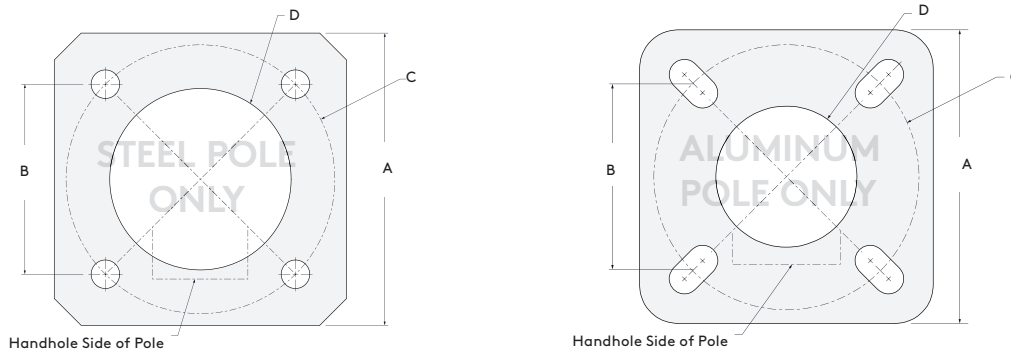
Pole Series	Wall	EPA Information				Height	Finish	Rivnut Pairs	Options
		80mph	90mph	100mph	110mph				
O-AT35-197 3.5" Straight Alum Pole	0.197	7.3	5.4	4	3.1	12 ft.	WH White	RN1 1 Pair	BC1 Decorative Cast Aluminum Base Cover (see base cover details for pole compatibility)
O-AT535-156 5" to 3.5" Round Tapered Alum Pole	0.156	14.4	10.9	8.6	6.9		BK Black	RN2 2 Pair	
O-A35-197 3.5" Round Straight Alum Pole	0.197	5.8	4.2	3.0	2.2	14 ft.	BZ Bronze	RN3 3 Pair	BC3 Die-cast Two-piece Alum. Base cover (see base cover details for pole compatibility)
O-AT535-156 5" to 3.5" Round Tapered Alum Pole	0.156	9.4	7.1	5.5	4.4		SV Silver	RN4 4 Pair	
O-AT535-156 5" to 3.5" Round Tapered Alum Pole	0.156	7.7	5.6	4.2	3.3	16 ft.	SP Specify Premium Color	RN5 5 Pair	BC5 Two-piece Cast Alum. Base cover (see base cover details for pole compatibility)
O-AT64-156 6"-4" Round Tapered Alum Pole	0.156	14.1	10.8	8.6	7.0			RN6 6 Pair	
O-ST5936-11 5.9"-3.6" Tapered Steel Pole	11 ga	19.3	15.1	12.2	10.0	18 ft.		RN7 7 Pair	BC9 Die-cast Base cover (see base cover details for pole compatibility)
O-AT535-188 5" to 3.5" Round Tapered Alum Pole	0.188	7.8	5.6	4.2	3.2			RN8 8 Pair	
O-AT64-156 6"-4" Round Tapered Alum Pole	0.156	11.5	8.7	6.9	5.5	20 ft.			BC10 Die-cast Base cover (see base cover details for pole compatibility)
O-AT74-156 7"-4" Round Tapered Alum Pole	0.156	17.2	13.3	10.6	8.6				
O-AT535-188 5" to 3.5" Round Tapered Alum Pole	0.188	6.4	4.5	3.2	2.4	22 ft.			REC GFCl Receptacle w/ weather-proof cover
O-AT64-156 6"-4" Round Tapered Alum Pole	0.156	9.6	7.1	5.6	4.4				
O-AT74-156 7"-4" Round Tapered Alum Pole	0.156	15.0	11.4	9.0	7.3	24 ft.			REC2 GFCl Receptacle w/ padlockable in-use cover
O-AT74-156 7"-4" Round Tapered Alum Pole	0.156	12.4	9.3	7.2	5.8				
O-AT845-188 8"-4.5" Round Tapered Alum Pole	0.188	22.4	17.3	13.8	11.2	26 ft.			PC Photocell (Please consult factory; must be flat-top pole; also specify with luminaire)
O-AT74-156 7"-4" Round Tapered Alum Pole	0.156	10.3	7.6	5.8	4.6				
O-AT845-188 8"-4.5" Round Tapered Alum Pole	0.188	19.2	14.7	11.7	9.4	28 ft.			
O-AT74-156 7"-4" Round Tapered Alum Pole	0.156	8.4	6.0	4.5	3.5				
O-AT845-188 8"-4.5" Round Tapered Alum Pole	0.188	16.4	12.6	9.9	7.9	30 ft.			
O-AT845-250 8"-4.5" Round Tapered Alum Pole	0.25	20.6	15.8	12.5	10.1				
O-AT106-188 10"to 6" Round Tapered Alum Pole	0.188	26.4	20.4	16.2	12.9	35 ft.			
O-AT106-188 10"to 6" Round Tapered Alum Pole	0.188	20.0	15.3	11.7	9.2				
O-AT106-188 10"to 6" Round Tapered Alum Pole	0.188	15.9	12.0	9.1	6.8	39 ft.			
O-AT106-188 10"to 6" Round Tapered Alum Pole	0.188	14.2	10.5	7.8	5.8				

EPA values are calculated according to AASHTO 1994 with a 1.3 gust factor. Poles are calculated for an even distributed weight load of 200 lbs weight maximum. If the majority of the load is unevenly distributed, please consult factory for project specific EPA calculations

(1) Pair of Rivnuts is required for every mounting arm in pole mount applications. Rivnut codes are denoted in pairs (1 pair Rivnuts = RN1, 2 pair Rivnuts = RN2, 3 pair Rivnuts = RN3, etc) and must be specified for all pole mount configurations.

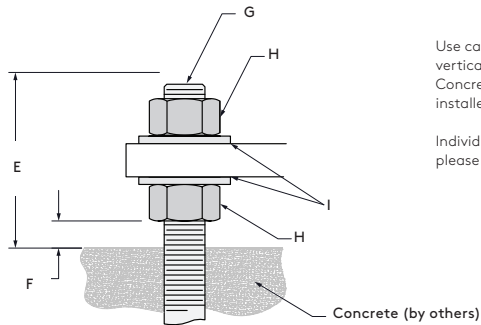


Mounting Plate Detail



Mounting Plate Details	A Base Plate SQ	B Bolt Spacing SQ	C Base Circle Ø	D Conduit Opening Ø
O-A35-197 3.5" Round Straight Alum Pole	8" (203mm)	5 1/2" (139mm)	7 3/4" (197mm)	3" (76mm)
O-AT106-188 10"to 6" Round Tapered Alum Pole	13 3/16" (335mm)	10 1/16" (256mm)	14 1/4" (362mm)	Ø 9 5/8" (244mm)
O-AT535-156 5" to 3.5" Round Tapered Alum Pole	9 5/8" (244mm)	6 1/8" (155mm)	8 5/8" (219mm)	4 5/8" (117mm)
O-AT535-188 5" to 3.5" Round Tapered Alum Pole	9 5/8" (244mm)	6 1/8" (155mm)	8 5/8" (219mm)	4 5/8" (117mm)
O-AT64-156 6"-4" Round Tapered Alum Pole	10 5/16" (262mm)	6 3/4" (172mm)	9 1/2" (241mm)	5 1/2" (140mm)
O-AT74-156 7"-4" Round Tapered Alum Pole	11 1/4" (286mm)	7 1/2" (190mm)	10 9/16" (268mm)	6" (152mm)
O-AT845-188 8"-4.5" Round Tapered Alum Pole	12 1/16" (306mm)	8 1/4" (209mm)	11 5/8" (295mm)	7 1/2" (191mm)
O-AT845-250 8"-4.5" Round Tapered Alum Pole	12 1/16" (306mm)	8 1/4" (209mm)	11 5/8" (295mm)	7 1/2" (191mm)
O-ST5936-11 5.9"-3.6" Tapered Steel Pole	10" (254mm)	6 3/8" (162mm)	9" (229mm)	5 5/8" (143mm)

Anchor Bolt Detail



Use caution when setting anchor bolts. Bolts must be vertically straight and centered on dimension shown. Concrete footing and feed conduit to be designed and installed by others.

Individual 1:1 scale drawings for installation available, please consult factory.

All Hardware is Galvanized

Anchor Bolt Details	E Bolt Projection	F For Leveling	G Anchor Bolt	H Heavy Hex Nut	I Flat Washer
O-A35-197 3.5" Round Straight Alum Pole	3 1/4" (82mm)	1/2" (13mm)	3/4"-10 UNC x 17"	3/4"-10 UNC	3/4" ID
O-AT106-188 10"to 6" Round Tapered Alum Pole	4 3/4" (121mm)	15/16" (24mm)	1"-8 UNC x 36"	1"-8 UNC	1" ID
O-AT535-156 5" to 3.5" Round Tapered Alum Pole	3 1/4" (82mm)	1/2" (13mm)	3/4"-10 UNC x 17"	3/4"-10 UNC	3/4" ID
O-AT535-188 5" to 3.5" Round Tapered Alum Pole	3 1/4" (82mm)	1/2" (13mm)	3/4"-10 UNC x 17"	3/4"-10 UNC	3/4" ID
O-AT64-156 6"-4" Round Tapered Alum Pole	3 1/2" (89mm)	1/2" (13mm)	3/4"-10 UNC x 17"	3/4"-10 UNC	3/4" ID
O-AT74-156 7"-4" Round Tapered Alum Pole	4 1/8" (105mm)	1/2" (13mm)	1"-8 UNC x 36"	1"-8 UNC	1" ID
O-AT845-188 8"-4.5" Round Tapered Alum Pole	4 1/8" (105mm)	1/2" (13mm)	1"-8 UNC x 36"	1"-8 UNC	1" ID
O-AT845-250 8"-4.5" Round Tapered Alum Pole	4 1/8" (105mm)	1/2" (13mm)	1"-8 UNC x 36"	1"-8 UNC	1" ID
O-ST5936-11 5.9"-3.6" Tapered Steel Pole	4 1/8" (105mm)	1/2" (13mm)	1"-8 UNC x 36"	1"-8 UNC	1" ID

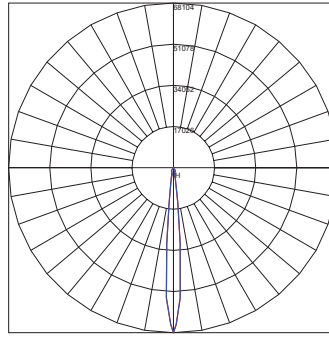


Photometry

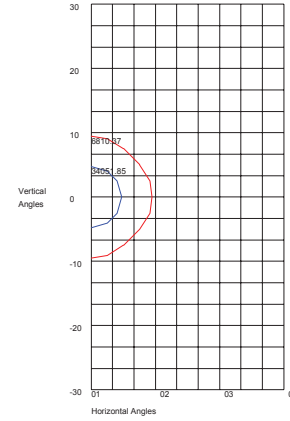
S09 / 56W LED / 4000K CCT

Catalog #: OLGL-S09-L58-40-120
 Delivered Lumens: 4506
 Input Watts: 56W
 CRI: >83.5
 Maximum candela of 68103.7
 Maximum candela angle: 0H-0V
 NEMA Classification: 1H x 1V
 Power Factor: 0.998
 Total Harmonic Distortion: 4.29%

[Link to photometry \(PDF\)](#)
[Link to photometry \(IES\)](#)



Maximum Candela = 68103.7 Located At Horizontal Angle = 0, Vertical Angle = 0
 H - Horizontal Axial Candela
 V - Vertical Axial Candela

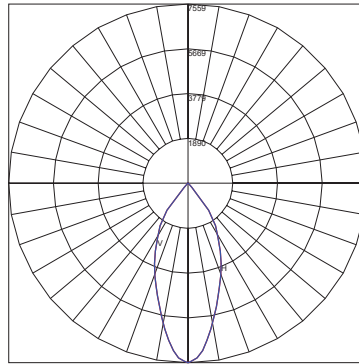


Maximum Candela = 68103.7 Located At Horizontal Angle = 0, Vertical Angle = 0
 50% Maximum Candela = 34051.85
 10% Maximum Candela = 6810.37

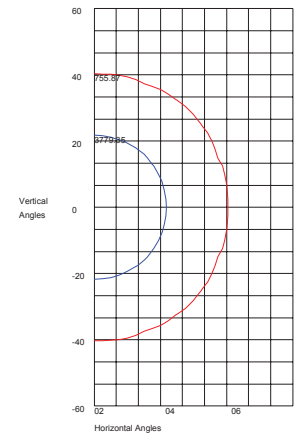
F40 / 56W LED / 4000K CCT

Catalog #: OLGL-F40-L58-40-120
 Delivered Lumens: 4585
 Input Watts: 56W
 CRI: >83.5
 Maximum candela of 7558.7
 Maximum candela angle: 0H-0V
 NEMA Classification: 5H x 5V
 Power Factor: 0.998
 Total Harmonic Distortion: 4.29%

[Link to photometry \(PDF\)](#)
[Link to photometry \(IES\)](#)



Maximum Candela = 7558.7 Located At Horizontal Angle = 0, Vertical Angle = 0
 H - Horizontal Axial Candela
 V - Vertical Axial Candela

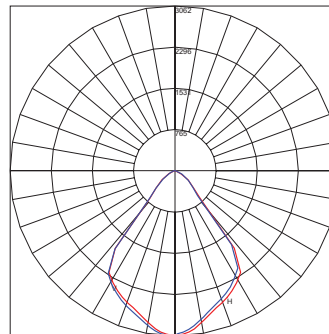


Maximum Candela = 7558.7 Located At Horizontal Angle = 0, Vertical Angle = 0
 50% Maximum Candela = 3779.35
 10% Maximum Candela = 755.87

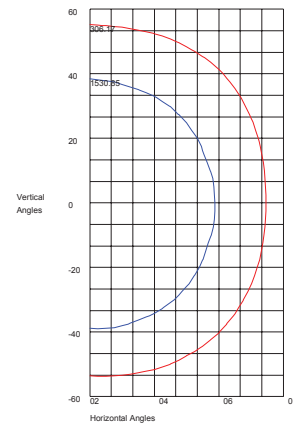
F80 / 56W LED / 4000K CCT

Catalog #: OLGL-F80-L58-40-120
 Delivered Lumens: 4350
 Input Watts: 56W
 CRI: >83.5
 Maximum candela of 3061.7
 Maximum candela angle: 0H-0V
 NEMA Classification: 6H x 6V
 Power Factor: 0.998
 Total Harmonic Distortion: 4.29%

[Link to photometry \(PDF\)](#)
[Link to photometry \(IES\)](#)



Maximum Candela = 3061.7 Located At Horizontal Angle = -1, Vertical Angle = -1
 H - Horizontal Axial Candela
 V - Vertical Axial Candela



Maximum Candela = 3061.7 Located At Horizontal Angle = -1, Vertical Angle = -1
 50% Maximum Candela = 1530.85
 10% Maximum Candela = 306.17



LUMINAIRE CUT SHEET
 100% CD
 10.16.2018

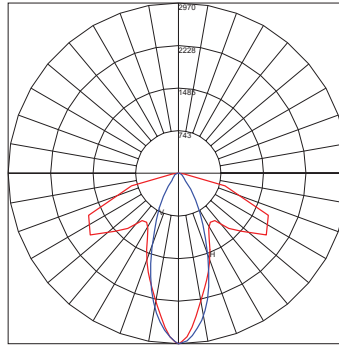
Wailuku Civic Hub
 Maui, HI
 Type: **FS1/FS1A/FS1A-R/FS1B**

Photometry

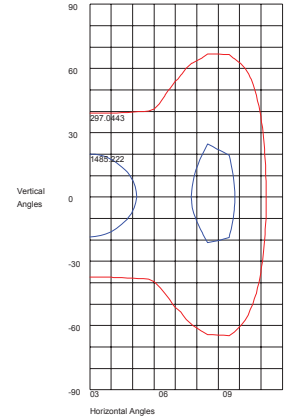
ASM / 56W LED / 4000K CCT

Catalog #: OLGL-ASM-L58-40-120
 Delivered Lumens: 3634
 Input Watts: 56W
 CRI: >83.5
 Maximum candela of 2970.443
 Maximum candela angle 0H-0V
 NEMA Classification: 7H x 5V
 Power Factor: 0.998
 Total Harmonic Distortion: 4.29%

[Link to photometry \(PDF\)](#)
[Link to photometry \(IES\)](#)



Maximum Candela = 2970.443 Located At Horizontal Angle = 0, Vertical Angle = 0
 H - Horizontal Axial Candela
 V - Vertical Axial Candela



Maximum Candela = 2970.443 Located At Horizontal Angle = 0, Vertical Angle = 0
 50% Maximum Candela = 1485.2215
 10% Maximum Candela = 297.0443

CCT Multiplier	
4000K	1.000
3000K	0.986

Conversion Chart	
Values based on 16' (4.9 m) mounting height	
Mounting Height	
10'	(3.0 m)
12'	(3.7 m)
14'	(4.3 m)
16'	(4.9 m)
18'	(5.5 m)

CCT multipliers apply to the photometry, and IES files.

Selux Corporation

LED Lighting facts
A Program of the U.S. DOE

Light Output (Lumens) 4936
Watts 56.19
Lumens per Watt (Efficacy) 87.8

Color Accuracy 82
Color Rendering Index (CRI)

Light Color 3023 (Bright White)
Correlated Color Temperature (CCT)

Warm White Bright White Daylight
 2700K 3000K 4500K 6500K

LED Lumen Maintenance Projection 86.52%
at 50,000 Hours at 40°C Ambient*

Warranty** Yes

All results, except LED Lumen Maintenance, are according to IESNA LM-79-2008:
 Approved Method for the Electrical and Photometric Testing of Solid-State Lighting.
 The U.S. Department of Energy (DOE) verifies product test data and results.

* Based on TM-21 projections for the light source.
 ** See www.lightingfacts.com/products for details.

Registration Number: WVZA-AKQ1PS (7/24/2015)
 Model Number: OLGL-F40-L58-30-120
 Type: Luminaire - Directional



LUMINAIRE CUT SHEET
 100% CD
 10.16.2018

Wailuku Civic Hub
 Maui, HI
 Type: FS1/FS1A/FS1A-R/FS1B

Date: _____ Customer: _____
 Project: _____
 Type: _____ Qty: _____



Olivio Medio LED Candelabra Pole Top



Order Code: OLML - _____ - _____ - _____ - _____ - _____ - _____

Pole Order Code: AT524 - _____ - _____ - _____
 Series Height Finish Options

<u>OLML</u>	Series	OLML Olivio Medio LED				
	Optics	S09 Spot, 9°	F40 Flood, 41°	F80 Flood, 78°	ASM Asymmetric (no SLH or SLV option)	
	Mounting	C1 Single Candelabra Pole top	C2 Double @ 120° Candelabra Pole top	C2A Double @ 180° Candelabra Pole top	C3 Triple @ 120° Candelabra Pole top	
	Light Engine	L46 46W nominal	L23 23W nominal			
	CCT	30 3000K	40 4000K			
	Finish	WH White	BK Black	BZ Bronze	SV Silver	SP Specify Premium Color
	Voltage	120	208	240	277	
	Options	DS¹ Dark Sky 0° Tilt Option	DM² Dimming, 0-10V	SLH Spread Lens Horizontal (fixed)	SLV Spread Lens Vertical (fixed)	20kA 20kA Surge Supression

¹IDA certified "Dark Sky Friendly"

²Only available with L46

Product Modifications

Please list modification requirements for review by factory:

Approvals

Date: _____



Selux Corporation © 2013, T 845-834-1400, 800-735-8927, F 845-834-1401, www.selux.us

In a continuing effort to offer the best product possible, we reserve the right to change, without notice, specifications or materials that in our opinion will not alter the function of the product. Specification sheets found at www.selux.us are the most recent versions and supersede all other printed or electronic versions.

Page 1 of 8
 (Rev. 09/2017)
 OLML-C_ss_v1.1

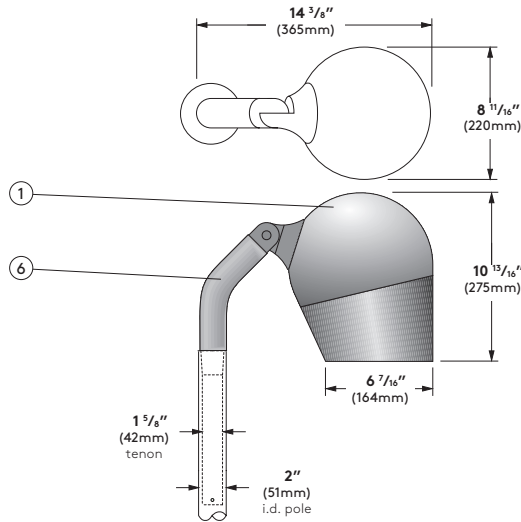


LUMINAIRE CUT SHEET
 100% CD
 10.16.2018

Wailuku Civic Hub
 Maui, HI
 Type: **FS2/FS2-R/FS2A**

Note: This Fixture Cut Is For Information Only. Refer To Specs For All Catalogue Numbers, Lamps, Finishes, Accessories, Etc

OLM-C1



Specifications

- 1. Luminaire Housing** - Two piece high pressure die cast housing, made of low copper aluminum alloy. Single recessed captive screw allows easy access to light engine & gear tray components.
- 2. Gasketing** - (not shown) UV and ozone-resistant, silicone gasket between fixture housing and lens base provide IP67 level ingress protection. IP rated micro-membrane ensures pressure compensation.
- 3. Lens** - (not shown) Tempered clear glass lens.
- 4. LED Light Engine** - (not shown) made from high flux COB and vacuum metalized aluminum reflectors. Selux is using brand name LED manufacturers. Available in 3000K and 4000K, CRI minimum 80. Reflectors made from high purity aluminum to ensure high efficiencies throughout lifetime. Complete light engine can be removed easily for future upgrade. LED light engine provides a reported lumen maintenance of 84.47% at 60,000 hours. L70 calculated greater than 60,000 hours.
- 5. LED Driver** - Selux uses brand name high efficiency LED drivers. LEDs are driven by RoHS compliant high-efficiency driver. Excellent for cold temperature starting and instant on. Min.

operating temperature -40°C/-40°F.

- 6. Surge Protector** - (not shown) Designed to protect luminaire from electrical surge up to 10kA. Surge protection up to 20kA optional.
- 7. Arm** - 45 degree arm made from low copper aluminum alloy. Fixture head joint design optimized to fit with AT524 pole provides tilt-swivel range from 0° to 175°, as well as 360° rotation. Locks down with set screws. Cast aluminum mounting arms include tenon that is inserted into a 2" I.D. pole & locked into place with set screws.
- 8. Power Cord** - (not shown) Pre-installed at factory and fed hidden through the luminaire hinge and hinge arm. Power cords are specified to fit the length of the pole specified with the luminaire.

Exterior Luminaire Finish - Selux utilizes a high quality Polyester Powder Coating. All Selux luminaires and poles are finished in our Tiger Drylac certified facility and undergo a five stage intensive pretreatment process where product is thoroughly cleaned, phosphated and sealed. Selux powder coated products provide excellent salt and humidity

resistance as well as ultraviolet resistance for color retention. All products are tested in accordance with test specifications for coatings from ASTM and PCI. Standard exterior colors are White (WH), Black (BK), Bronze (BZ), and Silver (SV). Selux premium colors (SP) are available, please specify from your Selux color selection guide.

5 Year Limited LED Luminaire Warranty - Selux offers a 5 Year Limited Warranty to the original purchaser that the OLIVIO LED luminaire shall be free from defects in material and workmanship for up to five (5) years from date of shipment. This limited warranty covers the LED driver and LED Light engine when installed and operated according to Selux instructions. For details, see "Selux Terms and Condition of Sale."

Listings and Ratings: Luminaire and LED tested to IP67 and IESNA LM-79-08 standards. LED tested to LM-80 standards. Luminaire and LED tested at 25°C ambient temperature.

OLIVIO LED suitable for ambient temperatures of 40°C (104°F). Minimum operating temperature of luminaire at -40°C (-40°F).

NRTL Listed for wet location (i.e. UL, CSA)

Visit selux.us for our LED End of Life recycling policy.

Lumen Output for OLM

Olivio Medio LED	S09	F40	F80	ASM
3000K CRI>80	3208 lm CBCP 46602.8 cd	3263 lm CBCP 5273.9 cd	3010 lm CBCP 2052 cd	2068 lm CBCP 1678 cd
4000K CRI>80	3252 lm CBCP 47253cd	3308 lm CBCP 5347.6cd	3052 lm CBCP 2080.7cd	2820 lm CBCP 1970cd

Selux Corporation © 2013, T 845-834-1400, 800-735-8927, F 845-834-1401, www.selux.us
In a continuing effort to offer the best product possible, we reserve the right to change, without notice, specifications or materials that in our opinion will not alter the function of the product. Specification sheets found at www.selux.us are the most recent versions and supercede all other printed or electronic versions.



LUMINAIRE CUT SHEET
100% CD
10.16.2018

Wailuku Civic Hub
Maui, HI
Type: **FS2/FS2-R/FS2A**

Mounting

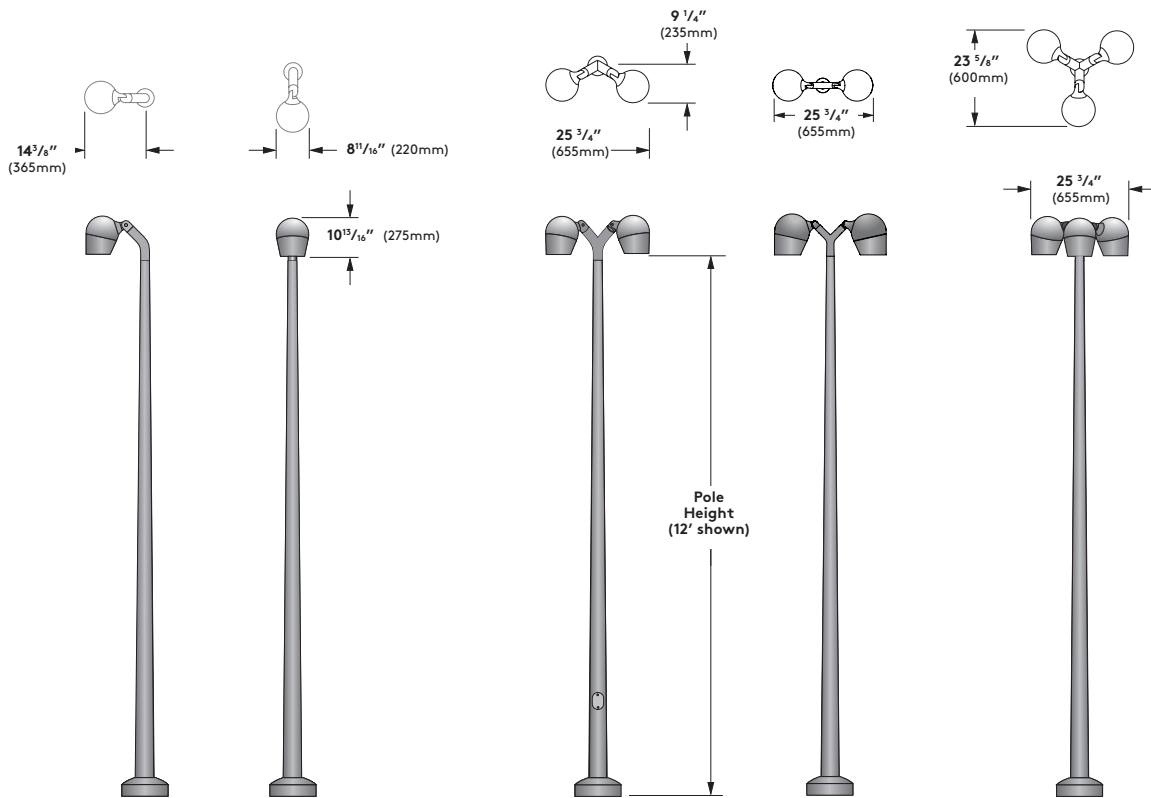
Mounting Details

Single (C1)

Double @ 120° (C2)

Double @ 180° (C2A)

Triple (C3)



EPA = 0.7 ft² (0.065 m²)
Weight = 13 lbs. (28.6 kg)

EPA = 1.5 ft² (0.139 m²)
Weight = 26 lbs. (57.2 kg)

EPA = 1.5 ft² (0.139 m²)
Weight = 26 lbs. (57.2 kg)

EPA = 2.3 ft² (0.214 m²)
Weight = 39 lbs. (85.8 kg)



LUMINAIRE CUT SHEET
100% CD
10.16.2018

Wailuku Civic Hub
Maui, HI
Type: FS2/FS2-R/FS2A

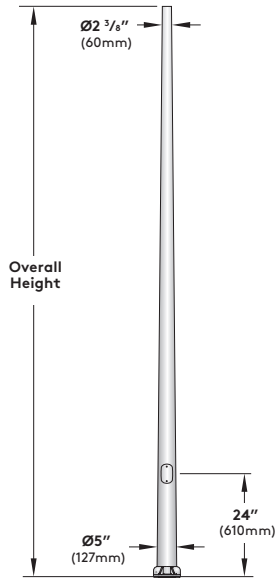
Pole Information

Refer to pole specification sheets for construction details, anchorage information and additional options.

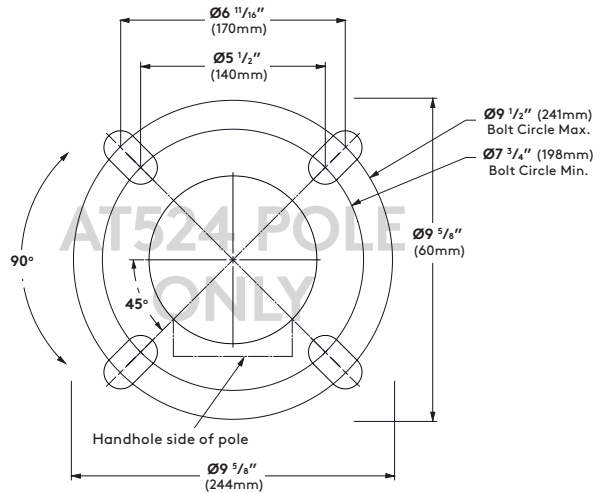
Base Cover Information

Refer to pole specification sheets for construction details, anchorage information and additional options.

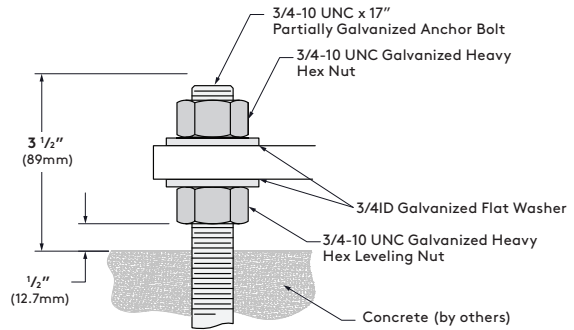
AT524 Tapered Aluminum Pole



Bolt Circle

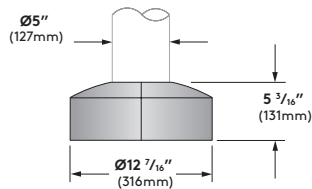


Anchor Bolt Detail



BC3 Optional Base Cover

Die cast aluminum, two piece field installable base cover



Pole Data Chart

Pole Series	Bolt Circle	Wall	EPA Information (ft ²)				Height	Finish	Options
			80mph	90mph	100mph	110mph			
AT524 5" to 2.4" Tapered Aluminum Pole	8 1/2"	0.188	15.3	11.7	9.2	7.4	13 13ft	WH White	BC3 Die Cast Two-Piece Base Cover REC GFCI Receptacle (120V)
AT524 5" to 2.4" Tapered Aluminum Pole	8 1/2"	0.188	13.8	10.6	8.3	6.6	14 14ft	BK Black	
AT524 5" to 2.4" Tapered Aluminum Pole	8 1/2"	0.188	12.5	9.5	7.4	5.9	15 15ft	BZ Bronze	
AT524 5" to 2.4" Tapered Aluminum Pole	8 1/2"	0.188	11.4	8.6	6.6	5.2	16 16ft	SV Silver SP Specify Premium Color	

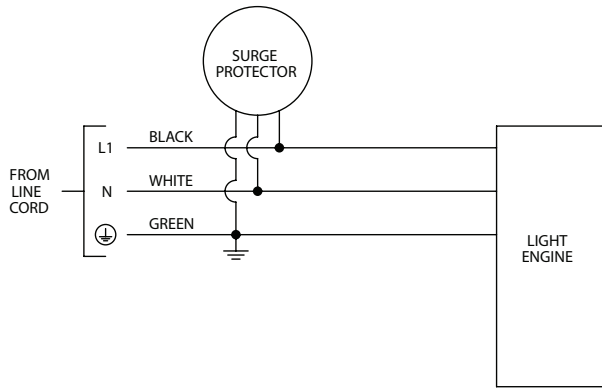
Other pole configurations available, consult factory
EPA calculations allow for 1.3 Gust Factor
See Mounting Page for fixture w/arm EPA values



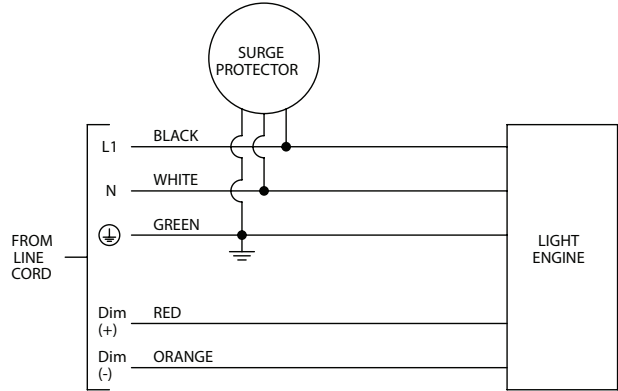
LUMINAIRE CUT SHEET
100% CD
10.16.2018

Wailuku Civic Hub
Maui, HI
Type: FS2/FS2-R/FS2A

Standard Single Wiring



0-10V Dimming Option (DM) Wiring
L46, 120-277V.



LUMINAIRE CUT SHEET
 100% CD
 10.16.2018

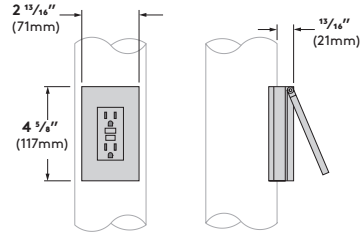
Wailuku Civic Hub
 Maui, HI
 Type: **FS2/FS2-R/FS2A**

Options

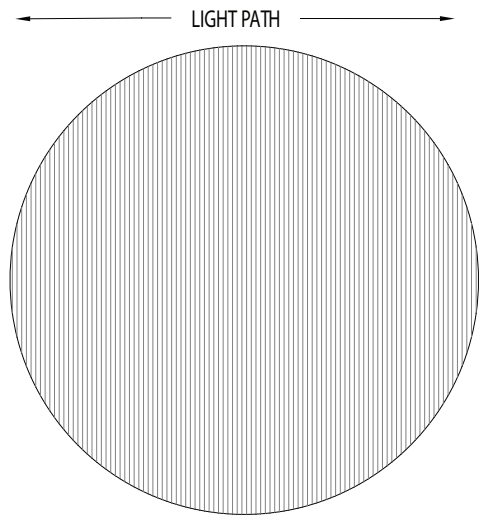
Dark Sky 0° Tilt Option (DS) -Luminaire head tilt angle preset and fixed at factory to comply with IDA Dark Sky and BUG U0 ratings.

20kA Surge Protection (20kA) - Designed to protect luminaire from electrical surge up to 20kA.

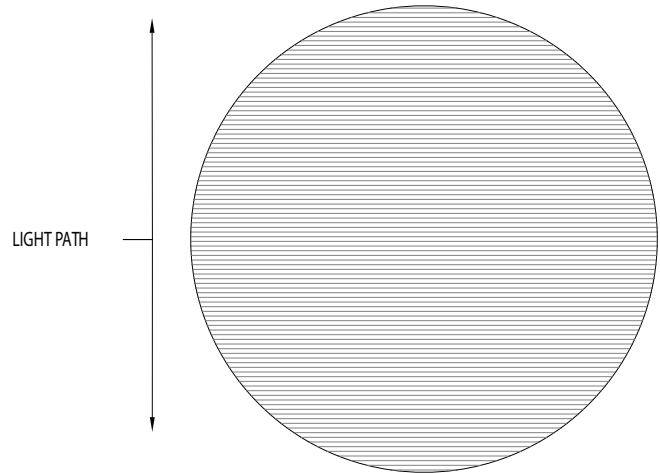
GFCI Receptacle (REC) - 120V GFCI duplex receptacle with cast base bolted to pole and gasketed, provided with weather-proof, self-closing cover; located 36" (915mm) from base of pole, inline with handhole. Receptacle is intended only for portable tools or other portable equipment to be connected to outlet only when attended by operating personnel. For in-use cover, please consult factory.



Horizontal spread lens (SLH) - Spread lens for horizontal light distribution. Replaces clear lens and intended to be used with reflectors for S09, F40 or F80 distribution. Preset and fixed at factory.



Vertical spread lens (SLV) - Spread lens for vertical light distribution. Replaces clear lens and intended to be used with reflectors for S09, F40 or F80 distribution. Preset and fixed at factory.

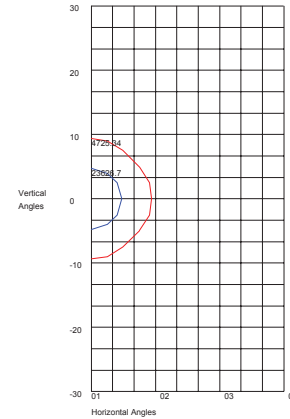
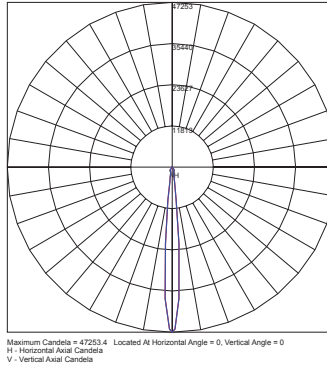


Photometry

S09 /44W LED / 4000K CCT

Catalog #: OLML-S09-L46-40-120
 Delivered Lumens: 3252
 Input Watts: 44W
 CRI: >83.5
 Maximum candela of 4725.4
 Maximum candela Angle 0H x 0H
 NEMA Classification: 1H x 1V
 Power Factor: 0.989
 Total Harmonic Distortion: 9.23%

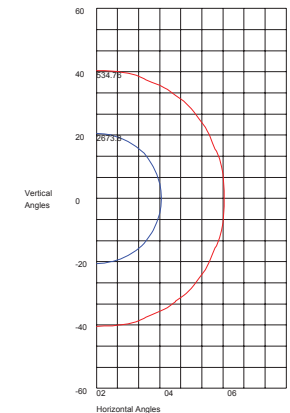
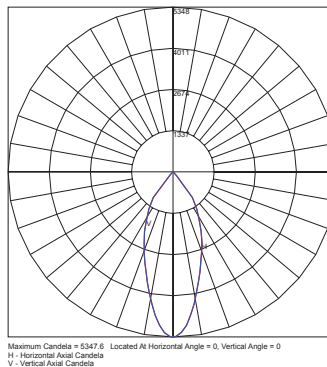
[Link to photometry \(PDF\)](#)
[Link to photometry \(IES\)](#)



F40 / 44W LED / 4000K CCT

Catalog #: OLML-F40-L46-40-120
 Delivered Lumens: 3308
 Input Watts: 44W
 CRI: >83.5
 Maximum candela of 5347.6
 Maximum candela Angle 0H x 0H
 NEMA Classification: 5H x 5V
 Power Factor: 0.989
 Total Harmonic Distortion: 9.23%

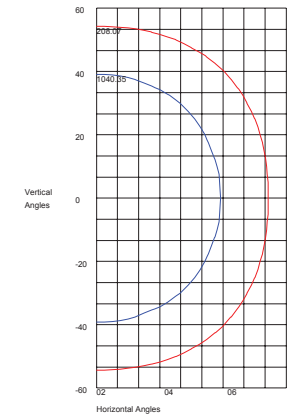
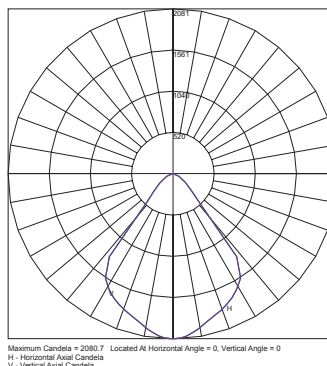
[Link to photometry \(PDF\)](#)
[Link to photometry \(IES\)](#)



F80 / 44W LED / 4000K CCT

Catalog #: OLML-F80-L46-40-120
 Delivered Lumens: 3052
 Input Watts: 44W
 CRI: >83.5
 Maximum candela of 2080.7
 Maximum candela Angle 0H x 0H
 NEMA Classification: 6H x 6V
 Power Factor: 0.989
 Total Harmonic Distortion: 9.23%

[Link to photometry \(PDF\)](#)
[Link to photometry \(IES\)](#)



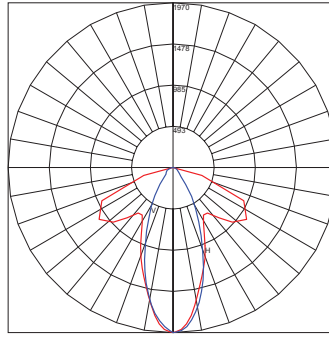
LUMINAIRE CUT SHEET
 100% CD
 10.16.2018

Wailuku Civic Hub
 Maui, HI
 Type: FS2/FS2-R/FS2A

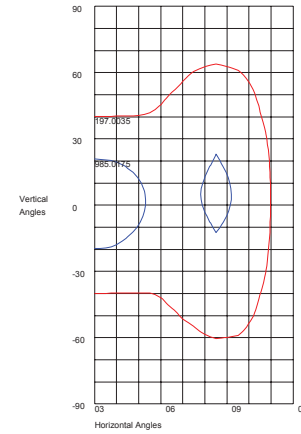
Photometry

ASM / 44W LED / 4000K CCT
 Catalog #: OLML-ASM-L46-40-120
 Delivered Lumens: 2428
 Input Watts: 44W
 CRI: >83.5
 Maximum candela of 1970.035
 Maximum candela Angle 0H x 0H
 NEMA Classification: 7H x 5V
 Power Factor: 0.989
 Total Harmonic Distortion: 9.23%

[Link to photometry \(PDF\)](#)
[Link to photometry \(IES\)](#)



Maximum Candela = 1970.035 Located At Horizontal Angle = 0, Vertical Angle = 0
 H - Horizontal Axial Candela
 V - Vertical Axial Candela



Maximum Candela = 1970.035 Located At Horizontal Angle = 0, Vertical Angle = 0
 50% Maximum Candela = 985.0175
 10% Maximum Candela = 197.0035

CCT Multiplier	
4000K	1.000
3000K	0.986

Conversion Chart	
Values based on 16' (4.9 m) mounting height	
Mounting Height	Multiply
10' (3.0 m)	1.27
12' (3.7 m)	1.16
14' (4.3 m)	1.07
16' (4.9 m)	1.00
18' (5.5 m)	0.84

CCT multipliers apply to the photometry, and IES files.

Selux Corporation

Light Output (Lumens) 3160
Watts 43.96
Lumens per Watt (Efficacy) 71.9

Color Accuracy 81
Color Rendering Index (CRI)

Light Color 3943 (Bright White)
Correlated Color Temperature (CCT)

Warm White | Bright White | Daylight
 2700K | 3000K | 4500K | 6500K

LED Lumen Maintenance Projection 89.88%
at 36,000 Hours at 40°C Ambient*

Warranty** Yes

All results, except LED Lumen Maintenance, are according to IESNA LM-79-2008:
 Approved Method for the Electrical and Photometric Testing of Solid-State Lighting.
 The U.S. Department of Energy (DOE) verifies product test data and results.

* Based on TM-21 projections for the light source.
 ** See www.lightingfacts.com/products for details.

Registration Number: WVZA-CJF64Y (5/26/2015)
 Model Number: OLML-909-L46-40-120
 Type: Luminaire - Directional



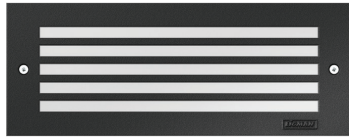
LUMINAIRE CUT SHEET
 100% CD
 10.16.2018

Wailuku Civic Hub
 Maui, HI
 Type: FS2/FS2-R/FS2A

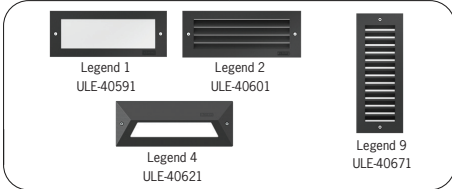
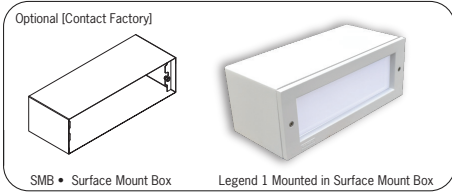
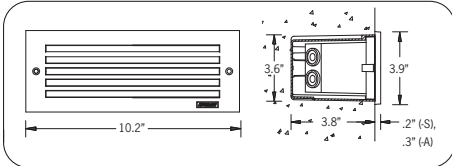
Recessed

ULE-40611

Legend 3 Recessed



Physical Data
 Length • 10.2"
 Height • 3.9"
 Weight • (S) 4.1 lbs • (A) 3.5 lbs
 IP65 • Suitable For Wet Locations
 IK04 • Impact Resistant (Vandal Resistant)
 Suitable for Concrete Pour Applications



A range of vandal resistant rectangular wall recessed luminaires. Suitable for indoor or outdoor applications in residential, shopping and pedestrian areas as a decorative guide light. Available in a variety of frame and LED light source options, including turtle friendly amber LED. The Legend 1 and 2 is available with powdercoated aluminum or stainless steel frames. This luminaire is provided with a powdercoated high pressure die-cast aluminum back box and can be pre shipped to the jobsite for concrete pour or masonry applications. As an option, this luminaire can be provided with a special wall clamp bracket that provides a clamping option when installing in drywall or wood panel walls.

Available in amber and white 2700K, 3000K and 4000K. Consult factory for additional colors. The Legend steplight range can be provided with colored lenses to provide a decorative architectural touch to the building, please see options.

All Ligman fixtures can be manufactured using a special pre-treatment and coating process that ensures the fixture can be installed in natatoriums as well as environments with high concentrations of chlorine or salt and still maintain the 5 year warranty. For this natatorium rated process please specify NAT in options.

Aluminum Casting
 Less than 0.1% copper content – Marine Grade LM6 Aluminum High Pressure die casting provides excellent mechanical strength, clean detailed product lines and excellent heat dissipation.

Finishing
 All Ligman products go through an extensive finishing process that includes fettling to improve paint adherence.

Paint
 UV Stabilized 4.9Mil thick powder coat paint and baked at 200 Deg C. This process ensures that Ligman products can withstand harsh environments. Rated for use in natatoriums.

Pre paint
 8 step degrease and phosphate process that includes deoxidizing and etching as well as a zinc and nickel phosphate process before product painting.

Hardware
 Provided Hardware is Marine grade 316 Stainless steel.

Memory Retentive -Silicon Gasket.
 Provided with special injection molded "fit for purpose" long life high temperature memory retentive silicon gaskets. Maintains the gaskets exact profile and seal over years of use and compression.

Anti Seize Screw Holes
 Tapped holes are infused with a special anti seize compound designed to prevent seizure of threaded connections, due to electrolysis from heat, corrosive atmospheres and moisture.

Thermal management.
 LM6 Aluminum is used for its excellent mechanical strength and thermal dissipation properties in low and high ambient temperatures. The superior thermal heat sink design by Ligman used in conjunction with the driver, controls thermals below critical temperature range to ensure maximum luminous flux output, as well as providing long LED service life and ensuring less than 10% lumen depreciation at 50,000 hours.

High Impact Acrylic Lens.
 Manufactured with Ultra High Impact, Naturally UV Stabilized Injection Molded Acrylic.

Optics & LED
 Precise optic design provides exceptional light control and precise distribution of light. LED CRI > 80

Surge Suppression
 Standard 10kv surge suppressor provided with all fixtures.

Lumen - Maintenance Life
 L80 /B10 at 50,000 hours (This means that at least 90% of the LED still achieve 80% of their original flux)

BUG Rating
 B0 - U0 - G0

Standard Options

Lamp 11w LED 126 Lumens	Frame A - Aluminum [Choose Finish Color] S - Stainless Steel [Natural Stainless Steel Finish Only]	LED Color W27 • 2700K W30 • 3000K W40 • 4000K	Finish Color 01 - Black - RAL 9011 02 - Dark Grey - RAL 7043 03 - White - RAL 9003 04 - Metallic Silver - RAL 9006 05 - Matte Silver - RAL 9006 06 - Bronze - RAL 6014 07 - Custom RAL
--------------------------------------	---	---	--

Options (Consult Factory for Pricing)

AMB - Amber LED [Turtle Friendly] SMB - Surface Mount Box [Conduit Entry Position to be Specified] NAT - Natatorium & High Salt Environments DIM - 0-10v Dimming	Colored Transparent Lens RD - Red Lens BL - Blue Lens GR - Green Lens AM - Amber Lens Specify Other Color _____	C - Clear Lens DWC - Dry Wall Clamps
---	---	---

Ordering Example : ULE - 40611 - 11w - A - W30 - 02 - 120/277v - Options

ULE	Lamp	Frame	LED Color	Color	Voltage	Options	
	40611	11w LED	A Aluminum S Stainless Steel	W27 2700K W30 3000K W40 4000K	01 Black 02 Dark Grey 03 White 04 Metallic Silver 05 Matte Silver 06 Bronze 07 Custom RAL	120/277v Other (Specify)	DWC Dry Wall Clamps AMB Amber LED SMB Surface Mount Box NAT Natatorium Rated DIM 0-10v Dimming

PROJECT: _____ DATE: _____ QUANTITY: _____

TYPE: _____ NOTE: _____

Head Office:
 7144 NW Progress Ct Hillsboro, Oregon 97124
 Tel: 503-645-0500 Fax: 503-645-8100 www.ligmanlightingusa.com



LUMINAIRE CUT SHEET
 100% CD
 10.16.2018

Wailuku Civic Hub
 Maui, HI
 Type: FS3

NOT USED



LUMINAIRE CUT SHEET
100% CD
10.16.2018

Wailuku Civic Hub
Maui, HI
Type: **FS4**

NOT USED



LUMINAIRE CUT SHEET
100% CD
10.16.2018

Wailuku Civic Hub
Maui, HI
Type: **FS5**

FEATURES

- DLC qualified
- Up to 1000' wireless communication
- Motion sensing up to 40' mounting height
- Superior BUG ratings
- Types II, III, IV, V and custom distributions
- IP66, 3G vibration housing
- 20kV/10kA surge suppression
- 2700 – 5000K CCT
- >560 nm Amber
- Custom lumen packages
- Integral thermal protection
- 0-10V dimmable
- 13 standard powder coat finishes



SPECIFICATIONS

ANGLED HOOD CONFIGURATION	UCM-ANG	UCM-WND-ANG	UCM-SR-ANG	UCM-VSL-ANG	UCM-LUM-ANG
DIAMETER	20"/508mm	20"/508mm	20"/508mm	20"/508mm	20"/508mm
HEIGHT	14.7"/373mm	20.5"/520mm	20.7"/526mm	20.5"/521mm	20.6"/523mm
WEIGHT	18.25 lbs/8.28kg	21.75 lbs/9.86kg	25 lbs/11.3kg	22.25 lbs/10.1kg	24.25 lbs/11kg
EPA	.60	.72	.74	.72	.74

BELL HOOD CONFIGURATION	UCM-BEL	UCM-WND-BEL	UCM-SR-BEL	UCM-VSL-BEL	UCM-LUM-BEL
DIAMETER	24"/610mm	24"/610mm	24"/610mm	24"/610mm	24"/610mm
HEIGHT	15.8"/401mm	21.4"/543mm	21.6"/549mm	19.37"/492mm	21.5"/546mm
WEIGHT	20.25 lbs/9.2kg	23.5 lbs/10.6kg	27 lbs/12.25kg	24.25 lbs/11kg	26 lbs/11.8kg
EPA	.73	.85	.87	.85	.85

FLARE HOOD CONFIGURATION	UCM-FLR	UCM-WND-FLR	UCM-SR-FLR	UCM-VSL-FLR	UCM-LUM-FLR
DIAMETER	22"/559mm	22"/559mm	22"/559mm	22"/559mm	22"/559mm
HEIGHT	14.5"/368mm	19.8"/503mm	20.1"/510mm	19.8"/503mm	20"/508mm
WEIGHT	18.5 lbs/8.4kg	21.75 lbs/9.87kg	25.25 lbs/10.1kg	21.75 lbs/9.86kg	24.25 lbs/11kg
EPA	.53	.65	.67	.65	.67

STRAIGHT HOOD CONFIGURATION	UCM-STR	UCM-WND-STR	UCM-SR-STR	UCM-VSL-STR	UCM-LUM-STR
DIAMETER	24"/610mm	24"/610mm	24"/610mm	24"/610mm	24"/610mm
HEIGHT	14"/355mm	19.8"/503mm	20"/508mm	19.8"/503mm	19.9"/505mm
WEIGHT	20 lbs/9.07kg	23.25 lbs/10.55kg	26.75 lbs/12.13kg	23.75 lbs/10.77kg	25.75 lbs/11.68kg
EPA	.59	.71	.73	.71	.73

SKIRTED BELL HOOD CONFIGURATION	UCM-SKB	UCM-WND-SKB	UCM-SR-SKB	UCM-VSL-SKB	UCM-LUM-SKB
DIAMETER	24"/610mm	24"/610mm	24"/610mm	24"/610mm	24"/610mm
HEIGHT	19.7"/500mm	23.9"/607mm	24.2"/615mm	23.9"/607mm	24.1"/612mm
WEIGHT	20.5 lbs/9.3kg	23.75 lbs/10.77kg	27 lbs/12.25kg	24.25 lbs/11kg	26.25 lbs/11.9kg
EPA	.90	1.03	1.05	1.03	1.05



3000K unlit or 3000K without luminous element only



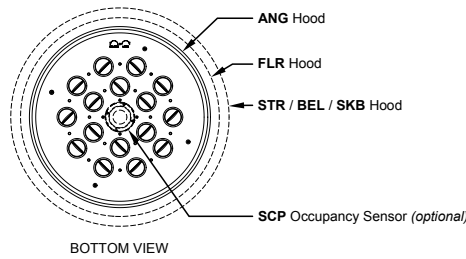
ARCHITECTURAL AREA LIGHTING
 17760 Rowland Street | City of Industry | CA 91748
 P 626.968.5666 | F 626.369.2695 | www.aal.net
 Copyright © 2014 March 7, 2017 2:58 PM

JOB
 TYPE
 NOTES

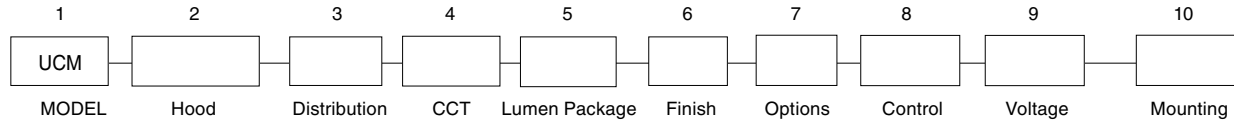


LUMINAIRE CUT SHEET
 100% CD
 10.16.2018

Wailuku Civic Hub
 Maui, HI
 Type: FS6



ORDERING INFORMATION



1. MODEL

UCM	Universe medium without luminous element
UCM-WND	Universe medium with luminous window
UCM-SR	Universe medium with luminous solid rings
UCM-VSL	Universe medium with luminous vertical slots
UCM-LUM	Universe medium with luminous rings

2. HOOD (May choose one)

FLR	Flared hood
FLR-STSS	Flared hood in natural brushed stainless steel
FLR-COP	Flared hood in natural brushed copper
ANG	Angled hood
ANG-STSS	Angled hood in natural brushed stainless steel
ANG-COP	Angled hood in natural brushed copper
STR	Straight hood
STR-STSS	Straight hood in natural brushed stainless steel
STR-COP	Straight hood in natural brushed copper
BEL	Bell hood
BEL-STSS	Bell hood in natural brushed stainless steel
BEL-COP	Bell hood in natural brushed copper
SKB	Skirted bell hood
SKB-STSS	Skirted bell hood in natural brushed stainless steel
SKB-COP	Skirted bell hood in natural brushed copper

3. DISTRIBUTION

MicroCore Precision aimed optics

T2-32LED	Type 2
T3-32LED	Type 3
T4-32LED	Type 4
T5-32LED	Type 5
TX-32LED	Custom ¹

4. COLOR TEMPERATURE

3K	3000K
4K	4000K
5K	5000K
27K	2700K ¹
35K	3500K ¹
AM	>560 nm monochromatic amber ¹

5. LUMEN PACKAGE

700	71 watts
450	48 watts
XMA	Custom wattage or drive current ¹

6. FINISH

Standard Color	
WH	Arctic White
BL	Black
BLT	Matte Black
DB	Dark Bronze
DGN	Dark Green
TT	Titanium
WDB	Weathered Bronze
MDB	Bronze Metallic
VBU	Verde Blue
CRT	Corten
MAL	Matte Aluminum
MG	Medium Grey
AGN	Antique Green
LG	Light Grey
Premium Color	
SHK	Shamrock
SPP	Salt and Pepper
SFM	Seafoam
WCP	Weathered Copper
RAL	RAL 4 digit Color
CUSTOM	Custom Color

7. OPTIONS (May choose as noted)

FTG	Flat clear glass lens ²
FLD	Flat diffused glass lens ³
SAG	Sag clear glass lens ^{1,3}
HSS	House Side shield for Type 4
SLC	Unlit (luminous) element
R80	80 CRI minimum ¹
BLU	Blue inner lens
RD	Red inner lens
GRN	Green inner lens

8. CONTROLS – (May choose as noted)

WIR	wiScape connectivity
WIRSC	wiScape connectivity, integral motion sensor
SCP	Integral photo-control and motion sensor ⁴
SCPREMOTE	Handheld commissioning tool ⁴

9. VOLTAGE

120-277	120-277 VAC input
347	347 VAC input
480	480 VAC input

9. MOUNTING

POLE MOUNT		
SLA2	SLA3	SLA4
SLA4-2	SLA7	SLA7-2
SLA7(5)	SLA7(5)-2	SLA8D
SLA9	SLA9-2	SLA10
SLA10-2	SLA16	SLA16-2
SLA17	SLA17-2	SLA17(5)
SLA17(5)-2	SLA18	SLA18-2
SLA20	SLA20-2	SLA20A
SLA20A-2	SLA20B	SLA20B-2
SLA20C	SLA20C-2	SLA20D
SLA20D-2	SLA22D	SLA24
SLA24-2	SLA24(5)	SLA24(5)-2
TRA4	TRA7	TRA7-2
TRA8	TRA8-2	TRA9
TRA9-2		

WALL MOUNT

WMA4	WMA5	WMA6
WMA8	WMA9D	WMA10
WMA11	WMA12	WMA16
WMA17	WMA18	WMA20
WMA22D	WMA24	WMA37
WMA38	WMA39	

PENDANT MOUNT

PMS

¹ Contact factory
² Not for AM color temperature
³ Not for WIR, WIRSC or SCP control options
⁴ Handheld commissioning tool is required to separately configure or adjust any number of SCP sensors.



ARCHITECTURAL AREA LIGHTING
 17760 Rowland Street | City of Industry | CA 91748
 P 626.968.5666 | F 626.369.2695 | www.aal.net
 Copyright © 2014 March 7, 2017 2:58 PM

JOB	_____
TYPE	_____
NOTES	_____



LUMINAIRE CUT SHEET
 100% CD
 10.16.2018

Wailuku Civic Hub
 Maui, HI
 Type: FS6

Universe® Collection Medium LED – UCM

TYPE

LUMINAIRE PERFORMANCE Actual measured performance to be within +/-3%of the stated values

System Watts	Configuration			Ordering Code	32LED-5K-700				32LED-4K-700				32LED-3K-700									
	Luminous Element	Lens	Distribution		Bright White (5000K)				Neutral White (4000K)				Warm White (3000K)									
					Delivered Lumens	Efficacy (Lm/W)	BUG Rating		Delivered Lumens	Efficacy (Lm/W)	BUG Rating		Delivered Lumens	Efficacy (Lm/W)	BUG Rating							
71	(None)	Clear Flat	(None)	Type II	UCM-[HOOD]-T2	6579	93	2	1	2	6561	92	2	1	2	6186	87	2	1	2		
				Type III	UCM-[HOOD]-T3	6560	92	1	1	2	6542	92	1	1	2	6168	87	1	1	2		
				Type IV	UCM-[HOOD]-T4	6467	91	1	1	2	6449	91	1	1	2	6081	86	1	1	2		
				Type V	UCM-[HOOD]-T5	6623	93	3	1	2	6605	93	3	1	2	6227	88	3	1	2		
				Type IV, HSS	UCM-[HOOD]-T4-(...HSS)	4781	67	0	1	2	4768	67	0	1	2	4495	63	0	1	2		
			Diffused Flat	Type II	UCM-[HOOD]-T2-(...CLR)	5836	82	2	1	2	5820	82	2	1	2	5487	77	2	1	2		
				Type III	UCM-[HOOD]-T3-(...CLR)	5819	82	1	1	2	5803	82	1	1	2	5471	77	1	1	2		
				Type IV	UCM-[HOOD]-T4-(...CLR)	5737	81	1	1	1	5721	81	1	1	1	5394	76	1	1	1		
				Type V	UCM-[HOOD]-T5-(...CLR)	5875	83	3	1	1	5859	83	3	1	1	5524	78	3	1	1		
				Type II	UCM-[HOOD]-T2-(...FLD)	4917	69	2	1	1	4904	69	2	1	1	4623	65	2	1	1		
			WND 4 Windows	(None)	Clear Flat	Type II	UCM-[HOOD]-T2	6713	91	2	1	2	6695	90	2	1	2	6312	85	2	1	2
						Type III	UCM-WND-[HOOD]-T3	6694	90	1	1	2	6675	90	1	1	2	6294	85	1	1	2
						Type IV	UCM-WND-[HOOD]-T4	6599	89	1	1	2	6581	89	1	1	2	6205	84	1	1	2
						Type V	UCM-WND-[HOOD]-T5	6758	91	3	2	2	6739	91	3	2	2	6354	86	3	2	2
						Type IV, HSS	UCM-WND-[HOOD]-T4-(...HSS)	4878	66	0	1	2	4865	66	0	1	2	4587	62	0	1	2
		Diffused Flat		Type II	UCM-WND-[HOOD]-T2-(...CLR)	5955	80	2	1	2	5939	80	2	1	2	5599	76	2	1	2		
				Type III	UCM-WND-[HOOD]-T3-(...CLR)	5938	80	1	1	2	5922	80	1	1	2	5583	75	1	1	2		
				Type IV	UCM-WND-[HOOD]-T4-(...CLR)	5854	79	1	1	2	5838	79	1	1	2	5504	74	1	1	2		
				Type V	UCM-WND-[HOOD]-T5-(...CLR)	5995	81	3	2	1	5979	81	3	2	1	5637	76	3	2	1		
		SR Solid Rings	(None)	Clear Flat	Type II	UCM-WND-[HOOD]-T2-(...FLD)	5017	68	2	1	1	5004	68	2	1	1	4718	64	2	1	1	
					Type III	UCM-WND-[HOOD]-T3-(...FLD)	5003	68	1	1	1	4989	67	1	1	1	4704	64	1	1	1	
					Type IV	UCM-WND-[HOOD]-T4-(...FLD)	4932	67	1	1	1	4918	66	1	1	1	4637	63	1	1	1	
					Type V	UCM-WND-[HOOD]-T5-(...FLD)	5051	68	2	2	1	5037	68	2	2	1	4749	64	2	2	1	
					Type II	UCM-SR-[HOOD]-T2	6610	89	2	1	2	6592	89	2	1	2	6215	84	2	1	2	
VSL Vertical Slots	(None)	Clear Flat	Type III	UCM-SR-[HOOD]-T3	6591	89	1	0	2	6573	89	1	0	2	6197	84	1	0	2			
			Type IV	UCM-SR-[HOOD]-T4	6498	88	1	1	2	6480	88	1	1	2	6109	83	1	1	2			
			Type V	UCM-SR-[HOOD]-T5	6654	90	3	1	2	6636	90	3	1	2	6257	85	3	1	2			
			Type IV, HSS	UCM-SR-[HOOD]-T4-(...HSS)	4804	65	0	1	2	4790	65	0	1	2	4517	61	0	1	2			
			Type II	UCM-SR-[HOOD]-T2-(...CLR)	5864	79	2	1	2	5848	79	2	1	2	5513	75	2	1	2			
	Diffused Flat	Type III	UCM-SR-[HOOD]-T3-(...CLR)	5847	79	1	1	2	5831	79	1	1	2	5497	74	1	1	2				
		Type IV	UCM-SR-[HOOD]-T4-(...CLR)	5764	78	1	1	1	5748	78	1	1	1	5420	73	1	1	1				
		Type V	UCM-SR-[HOOD]-T5-(...CLR)	5903	80	3	1	1	5887	80	3	1	1	5550	75	3	1	1				
		Type II	UCM-SR-[HOOD]-T2-(...FLD)	4940	67	2	1	1	4927	67	2	1	1	4645	63	2	1	1				
		Type III	UCM-SR-[HOOD]-T3-(...FLD)	4926	67	1	1	1	4913	66	1	1	1	4632	63	1	1	1				
	LUM Luminous Rings	(None)	Clear Flat	Type IV	UCM-SR-[HOOD]-T4-(...FLD)	4856	66	1	1	1	4843	65	1	1	1	4566	62	1	1	1		
				Type V	UCM-SR-[HOOD]-T5-(...FLD)	4973	67	2	1	1	4960	67	2	1	1	4676	63	2	1	1		
				Type II	UCM-VSL-[HOOD]-T2	6551	89	2	0	2	6533	88	2	0	2	6159	83	2	0	2		
				Type III	UCM-VSL-[HOOD]-T3	6532	88	1	1	2	6514	88	1	1	2	6142	83	1	1	2		
				Type IV	UCM-VSL-[HOOD]-T4	6439	87	1	1	2	6422	87	1	1	2	6055	82	1	1	2		
Diffused Flat		Type V	UCM-VSL-[HOOD]-T5	6595	89	3	1	2	6577	89	3	1	2	6201	84	3	1	2				
		Type V, HSS	UCM-VSL-[HOOD]-T4-(...HSS)	4761	64	0	1	2	4748	64	0	1	2	4476	60	0	1	2				
		Type II	UCM-VSL-[HOOD]-T2-(...CLR)	5811	79	2	1	2	5795	78	2	1	2	5464	74	2	1	2				
		Type III	UCM-VSL-[HOOD]-T3-(...CLR)	5795	78	1	1	2	5779	78	1	1	2	5448	74	1	1	2				
		Type IV	UCM-VSL-[HOOD]-T4-(...CLR)	5712	77	1	1	1	5697	77	1	1	1	5371	73	1	1	1				
LUM Luminous Rings		(None)	Clear Flat	Type V	UCM-VSL-[HOOD]-T5-(...CLR)	5850	79	3	1	1	5834	79	3	1	1	5501	74	3	1	1		
				Type II	UCM-VSL-[HOOD]-T2-(...FLD)	4604	62	2	1	1	4883	66	2	1	1	4896	66	2	1	1		
				Type III	UCM-VSL-[HOOD]-T3-(...FLD)	4590	62	1	1	1	4869	66	1	1	1	4882	66	1	1	1		
				Type IV	UCM-VSL-[HOOD]-T4-(...FLD)	4525	61	1	1	1	4800	65	1	1	1	4813	65	1	1	1		
				Type V	UCM-VSL-[HOOD]-T5-(...FLD)	4634	63	2	1	1	4915	66	2	1	1	4929	67	2	1	1		
LUM Luminous Rings	(None)	Clear Flat	Type II	UCM-LUM-[HOOD]-T2	6670	90	2	1	2	6652	90	2	1	2	6271	85	2	1	2			
			Type III	UCM-LUM-[HOOD]-T3	6651	90	1	0	2	6633	90	1	0	2	6253	85	1	0	2			
			Type IV	UCM-LUM-[HOOD]-T4	6557	89	1	1	2	6539	88	1	1	2	6165	83	1	1	2			
			Type V	UCM-LUM-[HOOD]-T5	6715	91	3	1	2	6696	90	3	1	2	6314	85	3	1	2			
			Type V, HSS	UCM-LUM-[HOOD]-T4-(...HSS)	4847	66	0	1	2	4834	65	0	1	2	4558	62	0	1	2			
	Diffused Flat	Type II	UCM-LUM-[HOOD]-T2-(...CLR)	5917	80	2	1	2	5901	80	2	1	2	5563	75	2	1	2				
		Type III	UCM-LUM-[HOOD]-T3-(...CLR)	5900	80	1	1	2	5883	80	1	1	2	5547	75	1	1	2				
		Type IV	UCM-LUM-[HOOD]-T4-(...CLR)	5816	79	1	1	2	5800	78	1	1	2	5468	74	1	1	2				
		Type V	UCM-LUM-[HOOD]-T5-(...CLR)	5956	80	3	1	1	5940	80	3	1	1	5600	76	3	1	1				
		Type II	UCM-LUM-[HOOD]-T2-(...FLD)	4985	67	2	1	1	4971	67	2	1	1	4687	63	2	1	1				
	Diffused Flat	Type III	UCM-LUM-[HOOD]-T3-(...FLD)	4971	67	1	1	1	4957	67	1	1	1	4957	67	1	1	1				
		Type IV	UCM-LUM-[HOOD]-T4-(...FLD)	4900	66	1	1	1	4887	66	1	1	1	4607	62	1	1	1				
		Type V	UCM-LUM-[HOOD]-T5-(...FLD)	5018	68	2	1	1	5005	68	2	1	1	4719	64	2	1	1				



ARCHITECTURAL AREA LIGHTING
 17760 Rowland Street | City of Industry | CA 91748
 P 626.968.5666 | F 626.369.2695 | www.aal.net
 Copyright © 2014 March 7, 2017 2:58 PM

JOB _____
 TYPE _____
 NOTES _____



LUMINAIRE CUT SHEET
 100% CD
 10.16.2018

Wailuku Civic Hub
 Maui, HI
 Type: FS6

Note: This Fixture Cut Is For Information Only. Refer To Specs For All Catalogue Numbers, Lamps, Finishes, Accessories, Etc

Universe® Collection Medium LED – UCM

TYPE

LUMINAIRE PERFORMANCE (CONTINUED) Actual measured performance to be within +/-3% of the stated values

Configuration				Ordering Code	32LED-5K-700			32LED-4K-700			32LED-3K-700									
System Watts	Luminous Element	Lens	Distribution		Bright White (5000K)			Neutral White (4000K)			Warm White (3000K)									
					Delivered Lumens	Efficacy (Lm/W)	BUG Rating	Delivered Lumens	Efficacy (Lm/W)	BUG Rating	Delivered Lumens	Efficacy (Lm/W)	BUG Rating							
					B	U	G	B	U	G	B	U	G							
47	(None)	(None)	Type II	UCM-[HOOD]-T2	4844	103	2	0	2	4830	103	2	0	2	4607	98	2	0	2	
			Type III	UCM-[HOOD]-T3	4805	102	1	0	2	4791	102	1	0	2	4570	97	1	0	2	
			Type IV	UCM-[HOOD]-T4	4805	102	1	0	2	4791	102	1	0	2	4570	97	1	0	2	
			Type V	UCM-[HOOD]-T5	4839	103	3	0	1	4825	103	3	0	1	4602	98	3	0	1	
			Type IV, HSS	UCM-[HOOD]-T4-(...HSS)	3539	75	0	0	2	3529	75	0	0	2	3327	71	0	0	2	
		Clear Flat	Type II	UCM-[HOOD]-T2-(...CLR)	4180	89	1	1	1	4168	89	1	1	1	3976	85	1	1	1	
			Type III	UCM-[HOOD]-T3-(...CLR)	4147	88	1	1	1	4135	88	1	1	1	3944	84	1	1	1	
			Type IV	UCM-[HOOD]-T4-(...CLR)	4147	88	1	1	1	4135	88	1	1	1	3944	84	1	1	1	
			Type V	UCM-[HOOD]-T5-(...CLR)	4176	89	2	0	1	4164	89	2	0	1	3972	85	2	0	1	
			Type V	UCM-[HOOD]-T5-(...FLD)	3376	72	1	1	1	3367	72	1	1	1	3211	68	1	1	1	
		Diffused Flat	Type II	UCM-[HOOD]-T2-(...FLD)	3349	71	1	1	1	3340	71	1	1	1	3185	68	1	1	1	
			Type III	UCM-[HOOD]-T3-(...FLD)	3349	71	1	1	1	3340	71	1	1	1	3185	68	1	1	1	
			Type IV	UCM-[HOOD]-T4-(...FLD)	3373	72	1	0	1	3363	72	1	0	1	3208	68	1	0	1	
			Type V	UCM-[HOOD]-T5-(...FLD)	4772	97	2	1	2	4758	97	2	1	2	4538	93	2	1	2	
			Type V	UCM-[HOOD]-T5-(...HSS)	3552	72	0	1	2	3542	72	0	1	2	3378	69	0	1	2	
49	WND 4 Windows	(None)	Type II	UCM-WND-[HOOD]-T2	4772	97	2	1	2	4758	97	2	1	2	4538	93	2	1	2	
			Type III	UCM-WND-[HOOD]-T3	4820	98	1	1	2	4806	98	1	1	2	4584	94	1	1	2	
			Type IV	UCM-WND-[HOOD]-T4	4792	98	1	1	2	4778	98	1	1	2	4558	93	1	1	2	
			Type V	UCM-WND-[HOOD]-T5	4783	98	3	2	2	4769	97	3	2	2	4549	93	3	2	2	
			Type IV, HSS	UCM-WND-[HOOD]-T4-(...HSS)	3552	72	0	1	2	3542	72	0	1	2	3378	69	0	1	2	
		Clear Flat	Type II	UCM-WND-[HOOD]-T2-(...CLR)	4269	87	1	1	1	4256	87	1	1	1	4060	83	1	1	1	
			Type III	UCM-WND-[HOOD]-T3-(...CLR)	4159	85	1	1	1	4147	85	1	1	1	3956	81	1	1	1	
			Type IV	UCM-WND-[HOOD]-T4-(...CLR)	3944	80	1	1	1	3932	80	1	1	1	3751	77	1	1	1	
			Type V	UCM-WND-[HOOD]-T5-(...CLR)	4235	86	1	2	1	4223	86	1	2	1	4028	82	1	2	1	
			Type V	UCM-WND-[HOOD]-T5-(...FLD)	3394	69	1	1	1	3384	69	1	1	1	3228	66	1	1	1	
		Diffused Flat	Type II	UCM-WND-[HOOD]-T2-(...FLD)	3425	70	1	1	1	3415	70	1	1	1	3257	66	1	1	1	
			Type III	UCM-WND-[HOOD]-T3-(...FLD)	3335	68	1	1	1	3325	68	1	1	1	3171	65	1	1	1	
			Type IV	UCM-WND-[HOOD]-T4-(...FLD)	3450	70	2	1	1	3440	70	2	1	1	3281	67	2	1	1	
			Type V	UCM-WND-[HOOD]-T5-(...FLD)	4716	96	2	1	2	4702	96	2	1	2	4485	92	2	1	2	
			Type V	UCM-WND-[HOOD]-T5-(...HSS)	3537	72	0	1	2	3527	72	0	1	2	3364	69	0	1	2	
		SR Solid Rings	(None)	Type II	UCM-SR-[HOOD]-T2	4763	97	1	1	2	4750	97	1	1	2	4530	92	1	1	2
				Type III	UCM-SR-[HOOD]-T3	4736	97	1	1	2	4722	96	1	1	2	4504	92	1	1	2
				Type IV	UCM-SR-[HOOD]-T4	4727	96	3	1	2	4713	96	3	1	2	4496	92	3	1	2
				Type V	UCM-SR-[HOOD]-T5	3537	72	0	1	2	3527	72	0	1	2	3364	69	0	1	2
				Type IV, HSS	UCM-SR-[HOOD]-T4-(...HSS)	4785	98	1	1	1	4771	97	1	1	1	4551	93	1	1	1
			Clear Flat	Type II	UCM-SR-[HOOD]-T2-(...CLR)	4663	95	1	1	1	4649	95	1	1	1	4435	91	1	1	1
				Type III	UCM-SR-[HOOD]-T3-(...CLR)	4421	90	1	1	1	4408	90	1	1	1	4205	86	1	1	1
				Type IV	UCM-SR-[HOOD]-T4-(...CLR)	4192	86	2	1	1	4180	85	2	1	1	3987	81	2	1	1
				Type V	UCM-SR-[HOOD]-T5-(...CLR)	3364	69	1	1	1	3355	68	1	1	1	3200	65	1	1	1
				Type V	UCM-SR-[HOOD]-T5-(...FLD)	3395	69	1	1	1	3385	69	1	1	1	3229	66	1	1	1
			Diffused Flat	Type II	UCM-SR-[HOOD]-T2-(...FLD)	3306	67	1	1	1	3296	67	1	1	1	3144	64	1	1	1
				Type III	UCM-SR-[HOOD]-T3-(...FLD)	3420	70	1	1	1	3410	70	1	1	1	3253	66	1	1	1
				Type IV	UCM-SR-[HOOD]-T4-(...FLD)	4725	96	2	0	2	4711	96	2	0	2	4494	92	2	0	2
				Type V	UCM-SR-[HOOD]-T5-(...FLD)	4772	97	1	1	2	4759	97	1	1	2	4539	93	1	1	2
				Type V	UCM-SR-[HOOD]-T5-(...HSS)	4745	97	1	1	2	4731	97	1	1	2	4513	92	1	1	2
		VSL Vertical Slots	(None)	Type II	UCM-VSL-[HOOD]-T2	4736	97	3	0	2	4722	96	3	0	2	4504	92	3	0	2
				Type III	UCM-VSL-[HOOD]-T3	3562	73	0	1	2	3552	72	0	1	2	3388	69	0	1	2
				Type IV	UCM-VSL-[HOOD]-T4	4223	86	1	1	1	4210	86	1	1	1	4016	82	1	1	1
				Type V	UCM-VSL-[HOOD]-T5-(...CLR)	4114	84	1	1	1	4102	84	1	1	1	3913	80	1	1	1
				Type V	UCM-VSL-[HOOD]-T5-(...FLD)	3901	80	1	1	1	3890	79	1	1	1	3710	76	1	1	1
			Clear Flat	Type II	UCM-VSL-[HOOD]-T2-(...CLR)	4189	85	2	0	1	4177	85	2	0	1	3984	81	2	0	1
				Type III	UCM-VSL-[HOOD]-T3-(...CLR)	3367	69	1	1	1	3358	69	1	1	1	3203	65	1	1	1
				Type IV	UCM-VSL-[HOOD]-T4-(...CLR)	3398	69	1	1	1	3388	69	1	1	1	3232	66	1	1	1
				Type V	UCM-VSL-[HOOD]-T5-(...CLR)	3308	68	1	1	1	3299	67	1	1	1	3147	64	1	1	1
				Type V	UCM-VSL-[HOOD]-T5-(...FLD)	3423	70	1	0	1	3413	70	1	0	1	3256	66	1	0	1
			Diffused Flat	Type II	UCM-VSL-[HOOD]-T2-(...FLD)	4809	98	2	1	2	4795	98	2	1	2	4574	93	2	1	2
				Type III	UCM-VSL-[HOOD]-T3-(...FLD)	4646	95	1	0	2	4633	95	1	0	2	4419	90	1	0	2
				Type IV	UCM-VSL-[HOOD]-T4-(...FLD)	4701	96	1	1	2	4687	96	1	1	2	4471	91	1	1	2
				Type V	UCM-VSL-[HOOD]-T5-(...FLD)	4733	97	3	1	1	4719	96	3	1	1	4502	92	3	1	1
				Type V, HSS	UCM-VSL-[HOOD]-T4-(...HSS)	3564	73	0	1	2	3554	73	0	1	2	3390	69	0	1	2
LUM Luminous Rings	(None)	Type II	UCM-LUM-[HOOD]-T2	4207	86	1	1	1	4194	86	1	1	1	4001	82	1	1	1		
		Type III	UCM-LUM-[HOOD]-T3-(...CLR)	4131	84	1	1	1	4119	84	1	1	1	3929	80	1	1	1		
		Type IV	UCM-LUM-[HOOD]-T4-(...CLR)	3911	80	1	1	1	3900	80	1	1	1	3720	76	1	1	1		
		Type V	UCM-LUM-[HOOD]-T5-(...CLR)	4196	86	2	1	1	4184	85	2	1	1	3991	81	2	1	1		
		Type V	UCM-LUM-[HOOD]-T5-(...FLD)	3434	70	1	1	1	3424	70	1	1	1	3266	67	1	1	1		
	Clear Flat	Type II	UCM-LUM-[HOOD]-T2-(...FLD)	3338	68	1	1	1	3328	68	1	1	1	3175	65	1	1	1		
		Type III	UCM-LUM-[HOOD]-T3-(...FLD)	3166	65	1	1	1	3157	64	1	1	1	3012	61	1	1	1		
		Type IV	UCM-LUM-[HOOD]-T4-(...FLD)	3418	70	1	1	1	3408	70	1	1	1	3251	66	1	1	1		
		Type V	UCM-LUM-[HOOD]-T5-(...FLD)																	
		Type V	UCM-LUM-[HOOD]-T5-(...HSS)																	



ARCHITECTURAL AREA LIGHTING
 17760 Rowland Street | City of Industry | CA 91748
 P 626.968.5666 | F 626.369.2695 | www.aal.net
 Copyright © 2014 March 7, 2017 2:58 PM

JOB _____
 TYPE _____
 NOTES _____



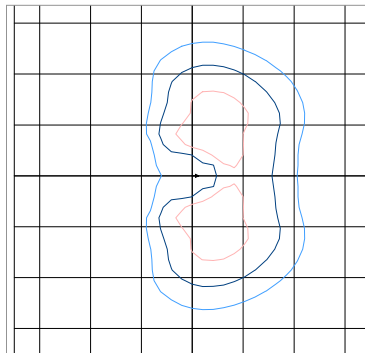
LUMINAIRE CUT SHEET
 100% CD
 10.16.2018

Wailuku Civic Hub
 Maui, HI
 Type: FS6

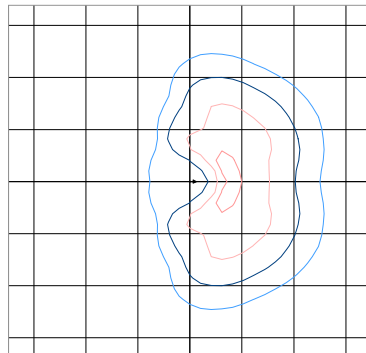
ELECTRICAL CHARACTERISTICS

Ordering Code		Line Input		Amps AC	LED Drive (mA)	System Watts (w)	Min. Power Factor	MAX THD (%)	Driver Operating Temp. Range (°C)	Inrush Current peak		Dimming	
MODEL	LUMEN PACKAGE	VAC	Hz							(A)	T@ 50% (µs)	Dimming Range (V)	Source / Sink Current (mA)
UCM UCM-(...SLC)	700	120-277	50 / 60	0.6 - 0.3	650	71	≥9	20	-30 TO +40	15 - 32	100	0 - 10	1
		347		0.2						32	100		
		480		0.2						32	100		
UCM-WND UCM-SR UCM-VSL UCM-LUM	700	120-277	50 / 60	0.6 - 0.3	450	74	≥9	21	-30 TO +40	15 - 32	100	0 - 10	1
		347		0.2						32	100		
		480		0.2						32	100		
UCM UCM-(...SLC)	450	120-277	50 / 60	0.4	650	47	≥9	22	-30 TO +40	15 - 32	100	0 - 10	1
		347		0.1						32	100		
		480		0.1						32	100		
UCM-WND UCM-SR UCM-VSL UCM-LUM	450	120-277	50 / 60	0.2	450	49	≥9	23	-30 TO +40	15 - 32	100	0 - 10	1
		347		0.1						32	100		
		480		0.1						32	100		

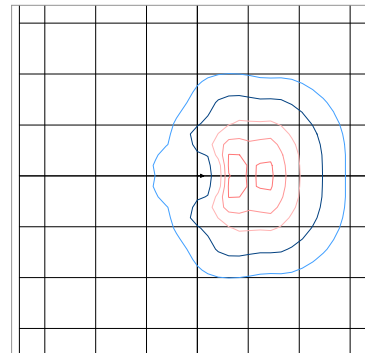
ISOLINE TEMPLATES 16' Mounting Height



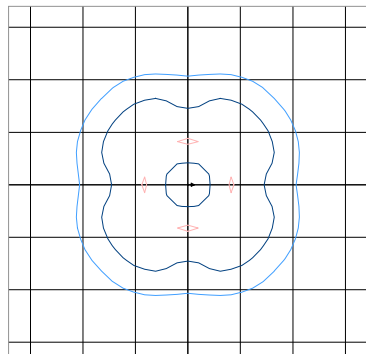
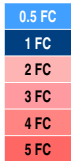
UCM-[HOOD]-T2-32LED-5K-700



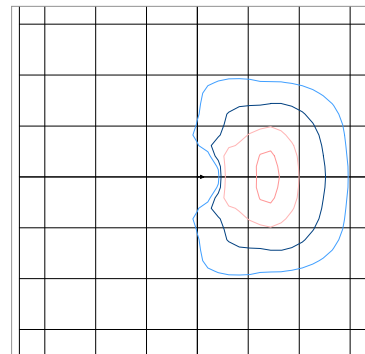
UCM-[HOOD]-T3-32LED-5K-700



UCM-[HOOD]-T4-32LED-5K-700



UCM-[HOOD]-T5-32LED-5K-700



UCM-[HOOD]-T4-32LED-5K-700-HSS



ARCHITECTURAL AREA LIGHTING
 17760 Rowland Street | City of Industry | CA 91748
 P 626.968.5666 | F 626.369.2695 | www.aal.net
 Copyright © 2014 March 7, 2017 2:58 PM

JOB _____
 TYPE _____
 NOTES _____



LUMINAIRE CUT SHEET
 100% CD
 10.16.2018

Wailuku Civic Hub
 Maui, HI
 Type: FS6

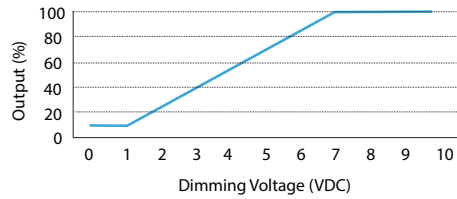
Universe® Collection Medium LED – UCM

TYPE

TM-21 LIFETIME CALCULATION

Ambient Environment °C	Projected Lumen Maintenance (Khrs)					Reported L70
	15	25	50	60	100	
25	98%	97%	96%	96%	93%	>96Khrs.
40	96%	95%	93%	92%	89%	

DIMMING CURVE



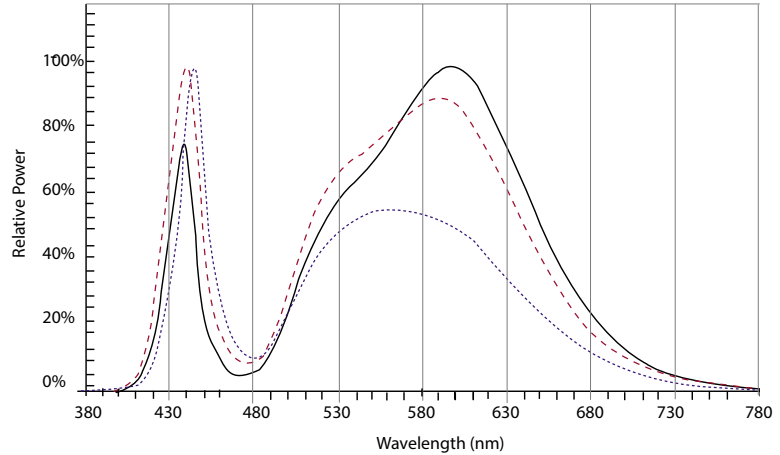
Note: Fixture does not dim to off, fixture dims to 10% minimum output.

COLOR CHARACTERISTICS

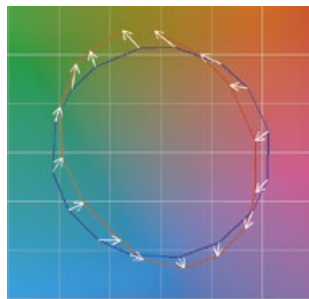
Value	Ordering Code		
	3K	4K	5K
Rf	69	69	71
Rg	99	99	98
CCT(K)	3122	3852	5020
Duv	0.001	0.0004	0.0005
CIE Ra	74	73	74

Note: TM-30 reported at the discrete LED level, not fixture level.

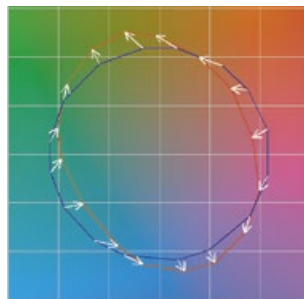
SPECTRAL POWER DISTRIBUTION COMPARISON



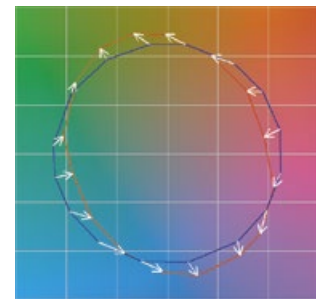
COLOR VECTOR GRAPHIC



XX30



XX40



XX50

SENSOR DETECTION RANGE

		SENSOR MOUNTING HEIGHT												RATIO
		8'	10'	12'	14'	16'	18'	20'	25'	30'	35'	40'		
COVERAGE	SCP	20'	25'	30'	35'	40'	45'	50'	62.5'	75'	87.5'	100'	1:2.5	
DIAMETER	WIRSC	16'	20'	24'	28'	32'	36'	50'	N/A	N/A	N/A	N/A	1:2	



ARCHITECTURAL AREA LIGHTING
17760 Rowland Street | City of Industry | CA 91748
P 626.968.5666 | F 626.369.2695 | www.aal.net
Copyright © 2014 March 7, 2017 2:58 PM

JOB _____
TYPE _____
NOTES _____



LUMINAIRE CUT SHEET
100% CD
10.16.2018

Wailuku Civic Hub
Maui, HI
Type: FS6

SPECIFICATIONS

HOUSING

- All housing components shall be die-cast aluminum 360 alloy, sealed with continuous silicone rubber gaskets.
- Hood and spacers shall be heavy gauge spun aluminum with hemmed edges for added rigidity.
- Luminous rings shall be clear acrylic with an internal lens.
- Standard configurations do not require a flat lens, optional lenses shall be tempered glass
- All internal and external hardware shall be stainless steel.
- Optical bezel finish shall match the luminaire housing.

OPTICAL

- Patent pending MicroCore™ LED modules shall independently aim each light emitting diode (LED) in both horizontal rotation and vertical tilt angle.
- LEDs shall be mounted to a metal printed circuit board assembly (PCBA) with a uniform conformal coating over the panel surface and electrical features.
- LED optics shall be clear injection molded PMMA acrylic.
- MicroCore™ PCBA and optic shall be sealed to a die-cast anodized aluminum heat sink with an injection molded silicone rubber gasket. IP66.
- Type 4 distribution with optional House Side Shield not available with clear or diffused glass lenses. Factory installed House Side Shield is optimized for Type 4 distribution and not recommended for use with Type 2 or 3 distribution and not available with type 5 distribution.

ELECTRICAL

- Luminaires shall have integral surge protection that shall be U.L. recognized and have a surge current rating of 10,000 Amps using the industry standard 8/20uSec wave and surge rating of 372J.
- Drivers shall be U.L. recognized with an inrush current maximum of <20.0 Amps maximum at 230VAC.
- Drivers shall not be compatible with current sourcing dimmers, consult factory for current list of known compatible dimming systems, approved dimmers include Lutron Diva AVTV, Lutron Nova NFTV and NTFTV.

CONTROLS

- Wireless enabled fixtures shall support bi-directional radio frequency (RF) communications utilizing IEEE 802.15.4 operating in the 2.4GHZ ISM band.
- Up to 1000' wireless range may be reduced by physical obstructions between fixtures.
- Motion sensor shall be flame retardant, UV resistant, impact resistant, recyclable polycarbonate.
- Motion Sensor shall use passive infrared (PIR) sensing technology that reacts to changes in infrared energy (moving body heat) within the coverage area. Careful consideration must be given to obstructions that may block the sensor's line of sight.
- Factory default settings for SCP option shall be:
 - High mode: 10V
 - Low mode: 1V
 - Ramp-up rate: disabled
 - Fade-down rate: disabled
 - Photocell: Off
 - Sensitivity: Full
 - Time Delay: Fade to low: 5 minutes
 - Time Delay: Fade to off: 1 hour

PHOTOCELL / EGRESS ADAPTERS

- Adapter(s) shall slip over a 4"/100mm DIA. pole with the luminaire or arm slipping over the adapter to add a total of 4.5"/114mm to the overall height. Adapter(s) shall be prewired, independently rotatable 359°, and have a cast access cover with an integral lens and lanyard.
- Photocell adapter shall include an internal twist lock receptacle. Photocell by others.
- Egress adapter shall require an auxiliary 120 volt supply for operation of an integral MR16 lamp in the event of emergency. The lamp may be aimed and locked into position with an adjustment range of 15°-45°. Adapter shall have a socket that accepts miniature bi-pin MR16 lamps up to 50 watts, lamp by others.

SERVICING

- Luminaire shall have tool-less service access to the gear compartment. Driver and surge suppressor shall be mounted to a prewired tray with quick disconnects that may be removed from the gear compartment.

ARM MOUNTING

- Luminaire shall be attached to the arm assembly with three stainless steel bolts. The connection shall be sealed with a silicone compression gasket.
- Post top arms and brackets shall slip over a 4"/100mm O.D. or a 5"/127mm as configured and secured with six stainless steel set screws.
- Wall mounted arms and brackets shall require mounting hardware by others.

FINISH

- Luminaire finish shall consist of a five stage pretreatment regimen with a polymer primer sealer, oven dry off, and top coated with a thermoset super TGIC polyester powder coat finish.
- Luminaire finish shall meet the AAMA 605.2 performance specification which includes passing a 3000 hour salt spray test for corrosion resistance.

CERTIFICATION

- Luminaire shall be listed with ETL for outdoor, wet location use, UL1598, UL 8750 and Canadian CSA Std. C22.2 no.250.

WARRANTY / TERMS AND CONDITIONS OF SALE

Download: <http://www.hubbellingighting.com/resources/warranty/>



ARCHITECTURAL AREA LIGHTING
 17760 Rowland Street | City of Industry | CA 91748
 P 626.968.5666 | F 626.369.2695 | www.aal.net
 Copyright © 2014 March 7, 2017 2:58 PM

JOB	_____
TYPE	_____
NOTES	_____



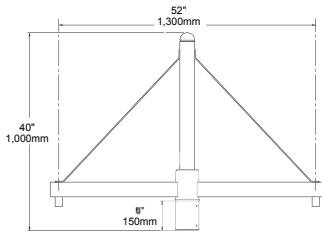
LUMINAIRE CUT SHEET
 100% CD
 10.16.2018

Wailuku Civic Hub
 Maui, HI
 Type: **FS6**

Universe® Collection Medium LED – UCM

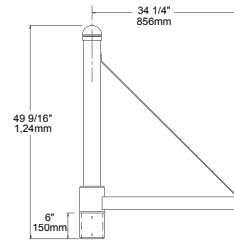
TYPE

SLA17-2 WT: 24 LBS EPA: 2.05



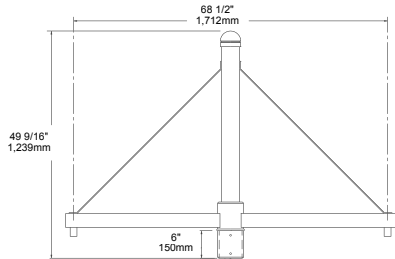
4" POLE

SLA17 (5) WT: 24 LBS EPA: 2.20



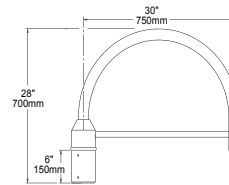
5" POLE

SLA17 (5)-2 WT: 33 LBS EPA: 2.90



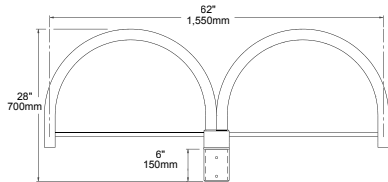
5" POLE

SLA18 WT: 12 LBS EPA: .85



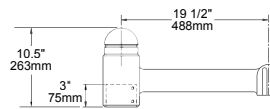
4" POLE

SLA18-2 WT: 22 LBS EPA: 1.59



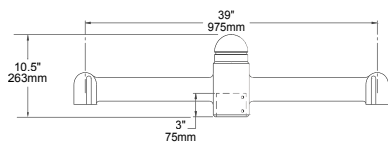
4" POLE

SLA20 WT: 10 LBS EPA: .70



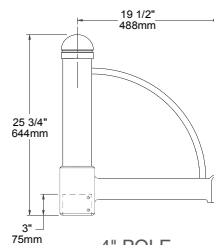
4" POLE

SLA20-2 WT: 18 LBS EPA: 1.25



4" POLE

SLA20A WT: 15 LBS EPA: 1.30



4" POLE



ARCHITECTURAL AREA LIGHTING
17760 Rowland Street | City of Industry | CA 91748
P 626.968.5666 | F 626.369.2695 | www.aal.net
Copyright © 2014 March 7, 2017 2:58 PM

JOB _____
TYPE _____
NOTES _____



LUMINAIRE CUT SHEET
100% CD
10.16.2018

Wailuku Civic Hub
Maui, HI
Type: **FS6**

DB2 – Decorative Pole

TYPE

5" ROUND (RD) & FLUTED (FL) DECORATIVE BASE



DB2

1. BASE	2. POLE	3. OAH	4. COLOR	5. OPTIONS/ACCESSORIES				

1. BASE	2. POLE	3. OAH	SHAFT	WT	MAXIMUM ALLOWABLE EPA (MPH)													
					85	90	100	110	120	130	140	150						
DB2	5R12-188	12' (3.7m)	5" RD x .188"	116	32.3	28.5	22.7	18.6	15.5	13.1	11.2	9.6						
DB2	5R14-188	14' (4.3m)	5" RD x .188"	116	32.3	28.5	22.7	18.6	15.5	13.1	11.2	9.6						
DB2	5R16-188	16' (4.9m)	5" RD x .188"	123	27.3	23.9	19.0	15.5	12.8	10.8	9.2	7.9						
DB2	5R18-188	18' (5.5m)	5" RD x .188"	129	22.8	19.8	15.6	12.7	10.5	8.8	7.4	6.4						
DB2	5R20-188	20' (6.2m)	5" RD x .188"	136	18.9	16.4	12.8	10.3	8.5	7.0	5.9	5.0						
DB2	5R22-188	22' (6.8m)	5" RD x .188"	142	15.8	13.5	10.4	8.3	6.8	5.6	4.7	3.9						
DB2	5R24-188	24' (7.4m)	5" RD x .188"	148	13.1	11.1	8.4	6.6	5.3	4.3	3.6	3.0						
DB2	5R25-188	25' (7.7m)	5" RD x .188"	151	11.9	10.0	7.5	5.9	4.7	3.8	3.1	2.5						
DB2	5R14-250	14' (4.3m)	5" RD x .250"	132	35.7	31.5	25.2	20.6	17.2	14.5	12.4	10.7						
DB2	5R16-250	16' (4.9m)	5" RD x .250"	140	30.5	26.8	21.3	17.4	14.5	12.2	10.4	9.0						
DB2	5R18-250	18' (5.5m)	5" RD x .250"	150	25.8	22.5	17.8	14.5	12.0	10.1	8.6	7.3						
DB2	5R20-250	20' (6.2m)	5" RD x .250"	158	21.8	18.9	14.8	12.0	9.9	8.3	7.0	6.0						
DB2	5R22-250	22' (6.8m)	5" RD x .250"	167	18.5	15.9	12.4	9.9	8.1	6.7	5.7	4.8						
DB2	5R24-250	24' (7.4m)	5" RD x .250"	176	15.7	13.4	10.3	8.2	6.6	5.5	4.5	3.8						
DB2	5R25-250	25' (7.7m)	5" RD x .250"	180	14.5	12.3	9.3	7.4	6.0	4.9	4.0	3.4						
DB2	5F14-188	14' (4.3m)	5" FL x .188"	116	21.4	18.7	14.8	12.1	10.0	8.2	6.9	5.8						
DB2	5F16-188	16' (4.9m)	5" FL x .188"	123	17.8	15.5	12.1	9.8	8.0	6.6	5.4	4.5						
DB2	5F18-188	18' (5.5m)	5" FL x .188"	129	14.5	12.5	9.7	7.8	6.3	5.1	4.1	3.3						
DB2	5F20-188	20' (6.2m)	5" FL x .188"	136	11.8	10.0	7.6	6.1	4.8	3.7	3.0	2.3						
DB2	5F22-188	22' (6.8m)	5" FL x .188"	142	9.4	7.9	5.8	4.6	3.9	2.6	2.0	1.4						
DB2	5F24-188	24' (7.4m)	5" FL x .188"	148	7.4	6.1	4.3	3.3	2.4	1.7	1.1	0.6						
DB2	5F25-188	25' (7.7m)	5" FL x .188"	151	6.6	5.2	3.6	2.7	1.9	1.2	0.7	0.3						

Note: Overall height is measured to top of pole.

2. COLOR

Standard Color

WH	Arctic White
BL	Black
BLT	Matte Black
DB	Dark Bronze
DGN	Dark Green
TT	Titanium
WDB	Weathered Bronze
MDB	Bronze Metallic
VBU	Verde Blue
CRT	Corten
MAL	Matte Aluminum
MG	Medium Grey
AGN	Antique Green
LG	Light Grey

Premium Color

SHK	Shamrock
SPP	Salt and Pepper
SFM	Seafoam
WCP	Weathered Copper
RAL	RAL 4 digit Color
CUSTOM	Custom Color

3. OPTIONS / ACCESSORIES

- AD5 (This adapter is to be used only with standard AAL arms and post top mount fixtures that slip over a 4" od pole. The AD5 is a cast aluminum adapter that slips into the arm or over a 5"/125mm O.D. pole.)
- FH (Flag holder. Specify location on pole)
- FS1 (Single weatherproof fuse holder. Fuse by others.)
- FS2 (Double weatherproof fuse holder. Fuse by others.)
- PCR (Low profile twist lock photocell receptacle with cast pole cap top. Secures to the top of the pole with three stainless steel set screws. Photocell by others.)
- RBC (Cast aluminum receptacle housing, integrally welded to the pole. Includes a NEC approved clear weatherproof cover. Does not include a receptacle or internal wiring.)

SPECIFICATIONS

Base shall be cast aluminum #356 alloy, free of any porosity, foreign materials, or cosmetic fillers. Base casting shall be heat treated to a T-6 condition, and of uniform wall thickness, with no warping or mold shifting.

WARNINGS

Caution must be exercised in the selection of a design wind speed when the pole is to be installed in a special wind region (as indicated by the wind map) or in an area where wind speed is unpredictable.

AAL recommends consulting a local engineer when the pole is to be installed in an area that may be subject to extreme weather and exposure. Poles installed on structures such as buildings and bridges may be subjected to vibration, oscillations, and other fatigue effects which are not covered by the AAL warranty. The use of banners or other appendages can severely affect the loading of a pole. No banner or other appendage should be attached to an AAL pole unless approved by AAL.

If the products are to be used on an existing foundation or on other structures, the customer assumes all responsibility for the structural integrity of the existing foundation, anchorage or structures and all the consequences arising therefrom.

CAUTION

Poles should never be erected without the luminaire installed.

Anchor bolts shall be hot dip galvanized steel. Six galvanized hex nuts and flat washers, and a bolt circle template shall be provided. Anchor bolts for poles 14 feet high or less are 3/4" x 24" x 3". Anchor bolt for poles more than 14 feet high are 1" x 36" x 4".

CERTIFICATION

Certified UL 1598 in accordance with Article 410 of ANSI/NFPA 70, National Electrical Code.

JOB _____
 TYPE _____
 NOTES _____



ARCHITECTURAL AREA LIGHTING
 16555 East Gale Ave. | City of Industry | CA 91745
 P 626.968.5666 | F 626.369.2695 | www.aal.net
 Copyright © 2012 | REV 6.12



LUMINAIRE CUT SHEET
 100% CD
 10.16.2018

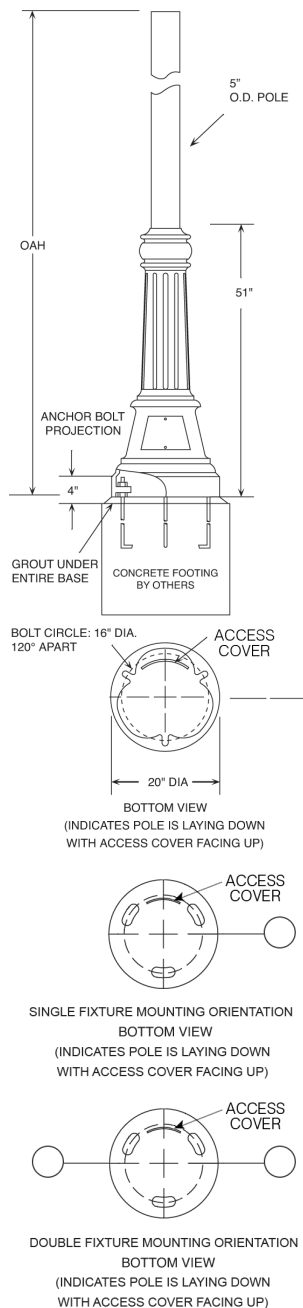
Wailuku Civic Hub
 Maui, HI
 Type: FS6

DB2 – Decorative Pole

TYPE

5" ROUND (RD) & FLUTED (FL) DECORATIVE BASE

DIMENSIONS



ARCHITECTURAL AREA LIGHTING
 16555 East Gale Ave. | City of Industry | CA 91745
 P 626.968.5666 | F 626.369.2695 | www.aal.net
 Copyright © 2012 | REV 6.12



LUMINAIRE CUT SHEET
 100% CD
 10.16.2018

Wailuku Civic Hub
 Maui, HI
 Type: **FS6**

Application

LED bollard with single-sided light output. The light distribution allows for wide spacing between luminaires, ideal for the illumination of pathways or entrances. Provided with a mounting system that allows the luminaire to be adjusted independent of anchor bolt orientation.

Materials

Luminaire housing, tube and base plate constructed of die-cast and extruded marine grade, copper free (≤0.3% copper content) A360.0 aluminum alloy
 Clear safety glass
 Reflector made of pure anodized aluminum
 High temperature silicone gasket
 Mechanically captive stainless steel fasteners

NRTL listed to North American Standards, suitable for wet locations
 Protection class IP 65
 Weight: 15.4lbs

Electrical

Operating voltage 120-277V AC
 Minimum start temperature -20° C
 LED module wattage 8.2W
 System wattage 10.0W
 Controllability 0-10V dimmable
 Color rendering index Ra > 80
 Luminaire lumens 548 lumens (3000K)
 Lifetime at Ta = 15° C >500,000 h (L70)
 Lifetime at Ta = 50° C 112,000 h (L70)

LED color temperature

- 4000K - Product number + **K4**
- 3500K - Product number + **K35**
- 3000K - Product number + **K3 (EXPRESS)**
- 2700K - Product number + **K27**

BEGA can supply you with suitable LED replacement modules for up to 20 years after the purchase of LED luminaires - see website for details

Finish

All BEGA standard finishes are matte, textured polyester powder coat with minimum 3 mil thickness.

- Available colors Black (BLK) White (WHT) RAL:
 Bronze (BRZ) Silver (SLV) CUS:

Type:
 BEGA Product:
 Project:
 Modified:



Shielded bollard - asymmetric

	LED	A	B	Anchorage
88 659	8.2W	6 3/8"	3 9/8"	79 817



BEGA 1000 BEGA Way, Carpinteria, CA 93013 (805) 684-0533 info@bega-us.com

Due to the dynamic nature of lighting products and the associated technologies, luminaire data on this sheet is subject to change at the discretion of BEGA North America. For the most current technical data, please refer to bega-us.com © copyright BEGA 2018 Updated 08/02/18



LUMINAIRE CUT SHEET
 100% CD
 10.16.2018

Wailuku Civic Hub
 Maui, HI
 Type: **FS8**